

ZIF Socket Series

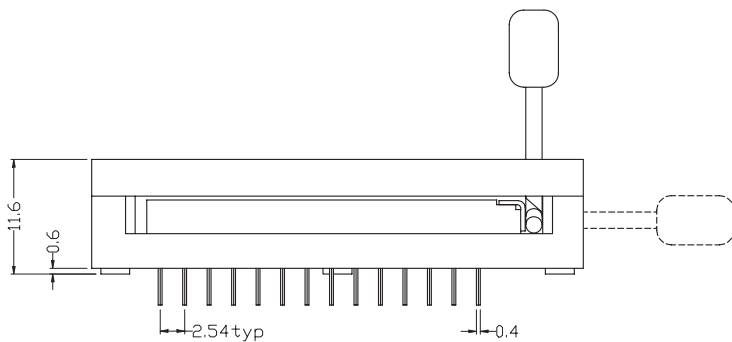
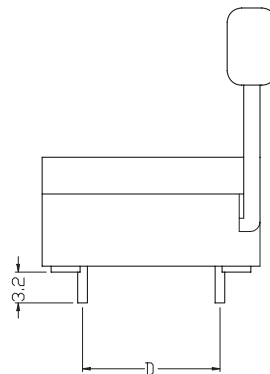
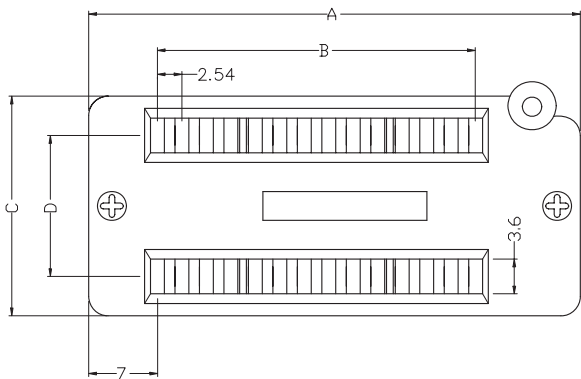
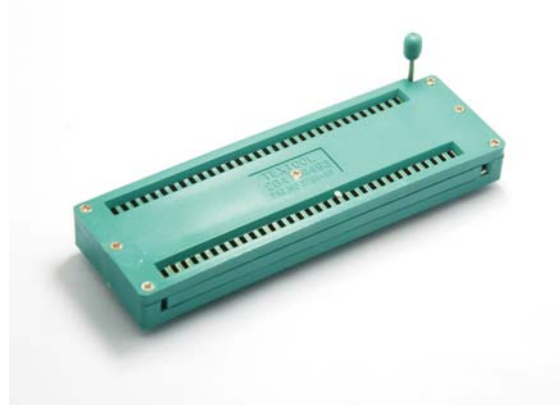
KLS1-108 ZIF Socket 2.54mm(0.100") Center Distance 7.62/15.24mm

Materials :

- 1. Insulator: thermoplastic.
- 2. Contact: copper alloy.

Specifications :

- 1. switch function: Single pole Single throw
- 2. contact rating: 100mA at 50V DC
- 3. insulation resistance: 1000MΩ min@500V DC
- 4. contact resistance: 50mΩ max
- 5. operating life: 100,00 cycles
- 6. stop strength: place the switch such that vertical, a static load of 3kgf shall be applied in the direction of stem, operation for a period of 15 seconds.
- 7. operation temperature range: -40°C ~ 105°C
- 8. storage temperature range: MIL-STD-202F method 201A
- 9. shock test: to MIL-STD-202F. method 213B, condition A.
- 10. wave soldering: recommended solder temperature at 500°F (260°C) max. 5 seconds, subject to PCB 1.6mm thickness.
- 11. hand soldering: use a soldering iron of 30 watts, controlled at 608°F (320°C) approximately 2 seconds while applying solder.



Dimension

Position	A	B	C	D
14	33.2	15.24	14.90	7.62
16	35.7	17.78	14.90	7.62
20	40.8	22.86	14.90	7.62
24	45.9	27.94	14.90	7.62
24	45.9	27.94	22.80	15.24
28	51.0	33.02	22.80	15.24
32	56.1	38.10	22.80	15.24
40	66.2	48.26	22.80	15.24
48	76.4	58.42	22.80	15.24

ORDER INFORMATION

Product No.: KLS1-108-XX-D G

Pos. No. _____ Plated: Note- Tin plated G-Gold plated
 ZIF SOCKET 2.54mm Series _____ D=15.24mm plastic space Without D=7.62mm plastic space
 Number of Contacts: XX=14-48Pin