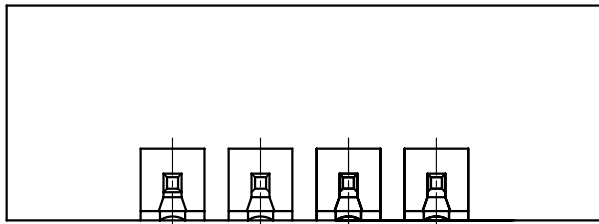
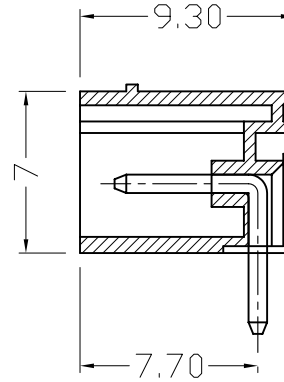
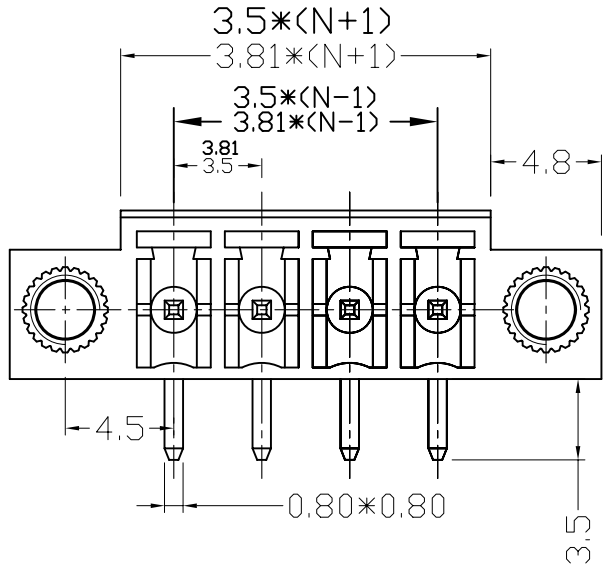


REV.	DESCRIPTION	DRAWN	CHECKED	APPROVED



·MATERIAL
 PIN HEADER : BRASS, TIN PLATED
 HOUSING : PA66, UL94V-0

·ELECTRICAL
 RATED VOLTAGE : 300V
 RATED CURRENT : 8A
 CONTACT RESISTANCE : 20mΩ
 INSULATION RESISTANCE : 5000MΩ/1000V
 WITHSTANDING VOLTAGE : AC1500V/1Min

·MECHANICAL
 TEMP.RANGE : -40°C ~ +105°C
 MAX SOLDERING : +250°C, FOR 5 SEC.

GENERAL TOLERANCE		ANGLE TOLERANCE		PROJECTION		TITLE	KF222R-3.5-4P	
X.	±0.20	X.	±2°	UNITS	mm			
.X	±0.15	.X	±1°	SHEET SIZE	A4	SERIES	KF222	
.XX	±0.10	.XX	±0.5°	慈溪市凯峰电子有限公司 KAIFENG ELECTRONIC CO.,LTD				
DRAWING TYPE		COMPONENTS						
SCALE		1:1	SHEET 1 OF 1					
DRAWING NO.		KF222R-3.5						