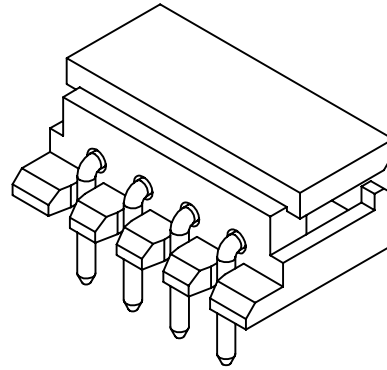
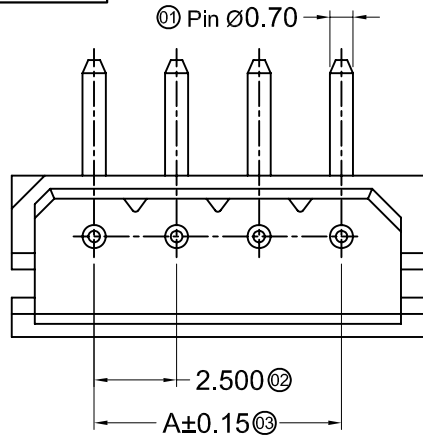


RoHS  Lead-free

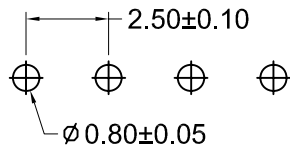
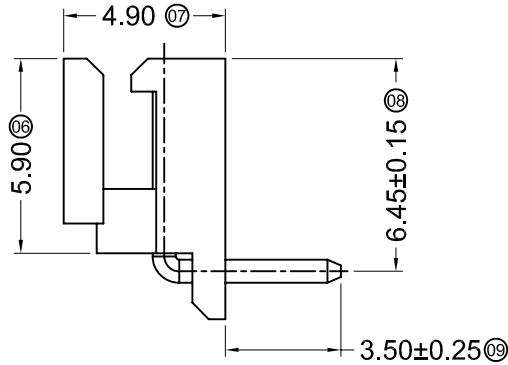
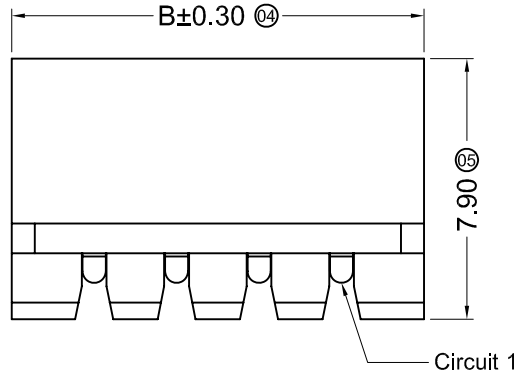


■ Specifications :

- Voltage rating: 250V AC / DC
- Current rating: 3A AC / DC
- Withstanding voltage: 1000V AC/minute
- Temperature range: -25°C~+85°C
- Insulation resistance: ≥1000MΩ
- Contact resistance: ≤20mΩ
- After environmental testing: ≤30mΩ

2564 W R X-XX X -N0 SN XX
 ① ② ③ ④ ⑤ ⑥ ⑦ ⑧ ⑨


- ① Series No.
- ② Category: W-WAFER
- ③ Welding Board Angle: R-90°
- ④ Welding Way: Blank-DIP
- ⑤ Row No.-Pin No.: XX-Single Row
- ⑥ Plug the Pin & Special No.
- ⑦ Material: N0 -PA66 94V-0
- ⑧ Plating Category:
SN-Bright Tin Plating (70u")
- ⑨ Color: Blank-Natural Color



PCB LAYOUT

Poles	Dimensions (mm)		Poles	Dimensions (mm)		Poles	Dimensions (mm)	
	A	B		A	B		A	B
02	2.50	7.50	07	15.00	20.00	12	27.50	32.50
03	5.00	10.00	08	17.50	22.50	13	30.00	35.00
04	7.50	12.50	09	20.00	25.00	14	32.50	37.50
05	10.00	15.00	10	22.50	27.50	15	35.00	40.00
06	12.50	17.50	11	25.00	30.00	16	37.50	42.50

2564WR-XX-N0SN	Nylon 66 UL 94V-0	Brass	Tin-Plated	2564H
PART NO	Material	Material(Pln)	Flntsh(Pln)	Mates With SWB Housing

				GENERAL TOLERANCE		 思索连接器有限公司 Terminal & Connectors SWB CONNECTORS CO.,LTD				PART NO. 2564WR-XX-N0SN			
2014/05/20	B	C		Change the 08PIN B Dim	sylvia					TITLE 2.50 mm Crimp Style Connectors			
2013/08/24	A	B		Modify the drawing frame format	Jova	APPROVAL	CHECK	DRAWN	DATA				
DATE	OLD REV	NEW REV	ECN	DESCRIPTION	CHECK	APPROVAL	PROJECT	Jova	2012/09/27	UNIT MM	SCALE 1:1	NUMBER A-068	REV B