

Switch

Tact Switch Series

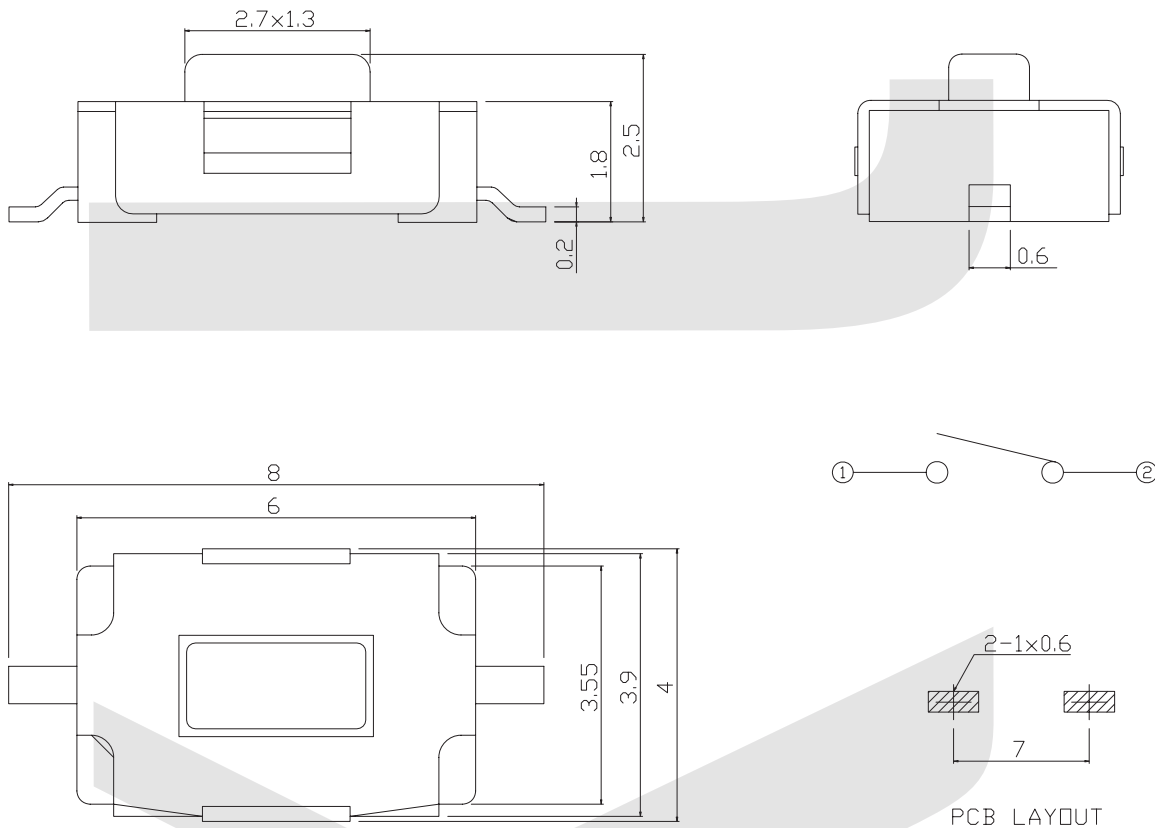
KLS7-TS3605 3x6 Tact Switch Series

ELECTRICAL

1. Rating: 50mA 12VDC
2. Contact Resistance : 50mΩ max(initial)
3. Insulation Resistance: 100MΩ(minDC 250V)
4. Dielectric Strength : AC250V(50/60Hz for 1minute)
5. Electrically Life: 100000cycles
6. Environment temperature: -30°C~+120°C
7. Operating Force: 180/250(±30gf)
8. Seal temperature: 260°C~ 280°C



Dimension (unit: mm)



ORDER INFORMATION

KLS7-TS3605 -2.5- 180 -B

Series No.
Height: 2.5mm

Packing: B=Bulk T=Tape

Operating Force : 180~250gf

Tact Switch Series

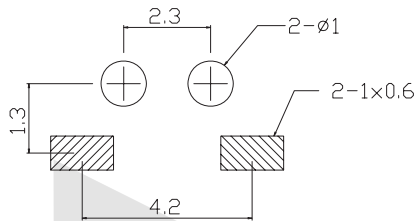
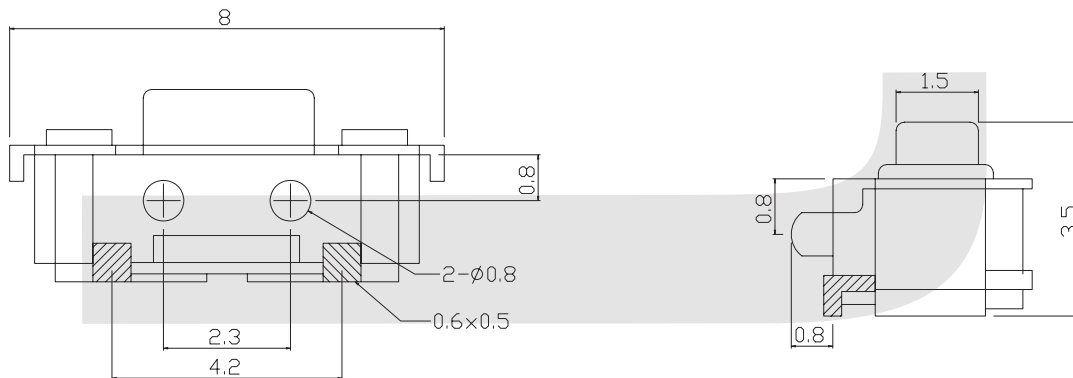
KLS7-TS3606 3x6 Tact Switch Series

ELECTRICAL

1. Rating: 50mA 12VDC
2. Contact Resistance : 50mΩ max(initial)
3. Insulation Resistance: 100MΩ(minDC 250V)
4. Dielectric Strength : AC250V(50/60Hz for 1minute)
5. Electrically Life: 100000cycles
6. Environment temperature: -30°C~+120°C
7. Operating Force: 180/250(±30gf)
8. Seal temperature: 260°C~ 280°C



Dimension (unit: mm)



ORDER INFORMATION

KLS7-TS3606 - 3.5 - 180 - B

Series No.
Height: 3.5mm

Packing: B=Bulk T=Tape

Operating Force : 180~250gf

Tact Switch Series

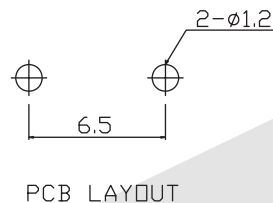
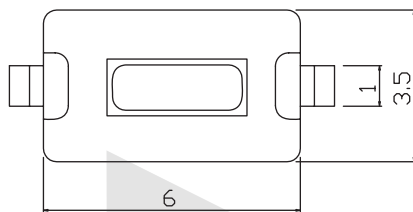
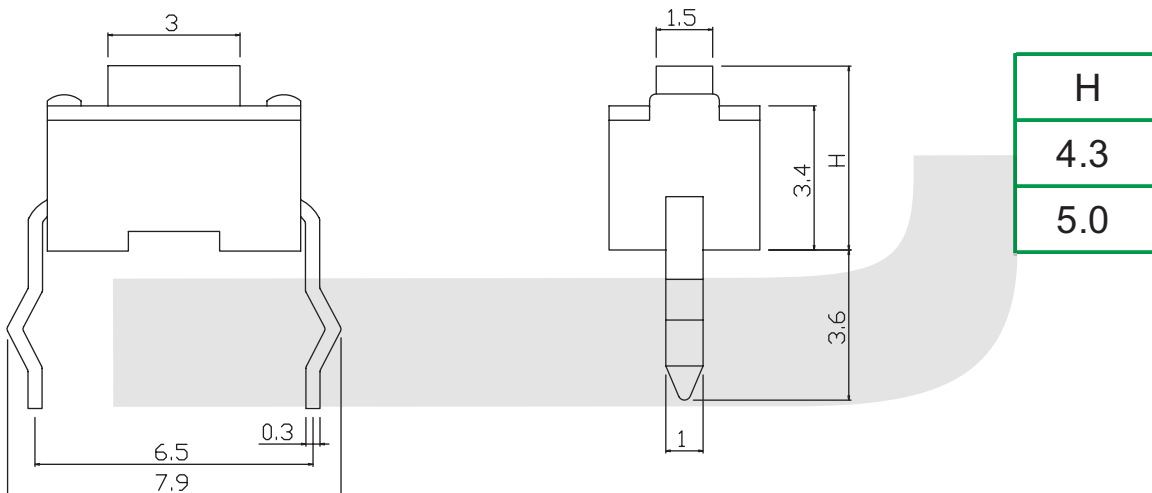
KLS7-TS3601 3x6 Tact Switch Series

ELECTRICAL

1. Rating: 50mA 12VDC
2. Contact Resistance : 50mΩ max(initial)
3. Insulation Resistance: 100MΩ(minDC 250V)
4. Dielectric Strength : AC250V(50/60Hz for 1minute)
5. Electrically Life: 100000cycles
6. Environment temperature: -30°C~+120°C
7. Operating Force: 180/250(±30gf)
8. Seal temperature: 260°C~ 280°C



Dimension (unit: mm)



ORDER INFORMATION

KLS7-TS3601 - 4.3 - 180

Series No. _____

Operating Force : 180~250gf

Hight: 4.3mm / 5.0mm

Switch

Tact Switch Series

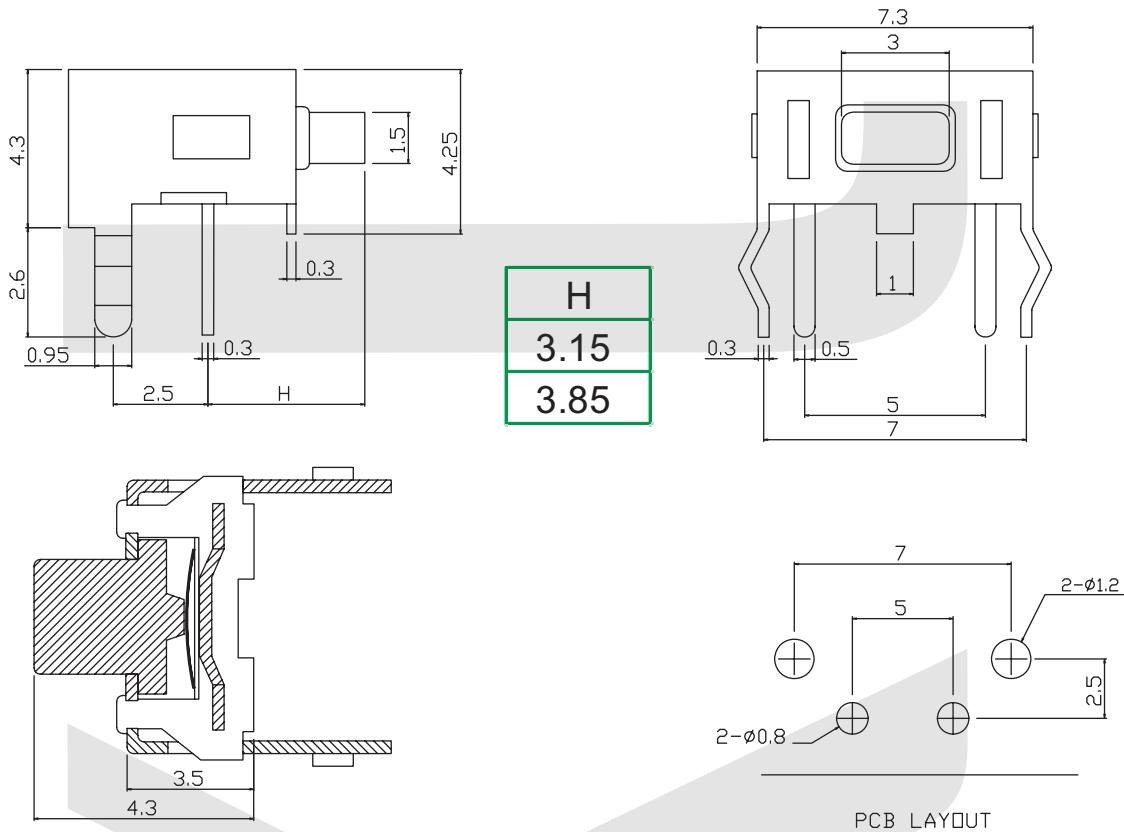
KLS7-TS3602 3x6 Tact Switch Series

ELECTRICAL

- 1.Rating: 50mA 12VDC
- 2.Contact Resistance : 50mΩ max(initial)
- 3.Insulation Resistance: 100MΩ(minDC 250V)
- 4.Dielectric Strength : AC250V(50/60Hz for 1minute)
- 5.Electrically Life: 100000cycles
- 6.Environment temperature:-30°C~+120°C
- 7.Operating Force: 180/250(±30gf)
- 8.Seal temperature:260°C~ 280°C



Dimension (unit: mm)



ORDER INFORMATION

KLS7-TS3602 -3.15-180

Series No. _____ Operating Force :180~250gf
Hight: 3.15mm/3.85mm _____

Switch

Tact Switch Series

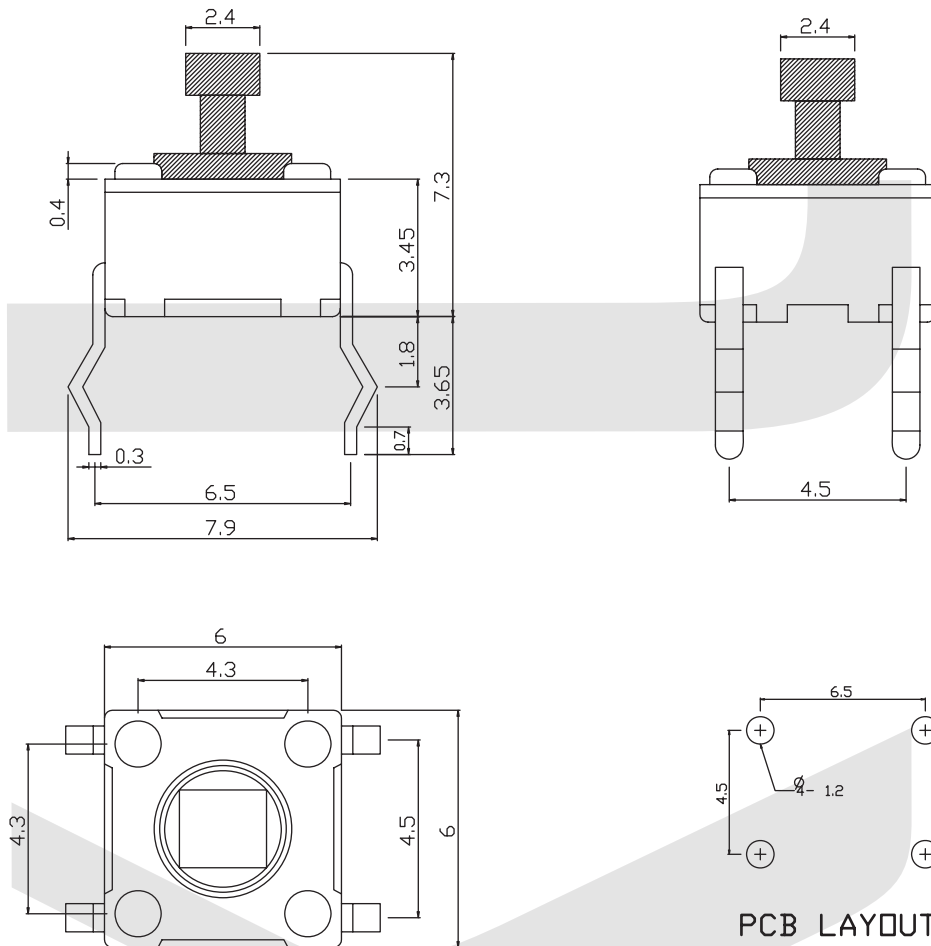
KLS7-TS6603 6x6 Tact Switch Series

ELECTRICAL

1. Rating: 50mA 12VDC
2. Contact Resistance : 50mΩ max(initial)
3. Insulation Resistance: 100MΩ(minDC 250V)
4. Dielectric Strength : AC250V(50/60Hz for 1minute)
5. Electrically Life: 100000cycles
6. Environment temperature: -20°C~+70°C
7. Operating Force: 180/250(±30gf)
8. Seal temperature: 260°C~ 280°C



VII



ORDER INFORMATION

KLS7-TS6603 - 180 - B

Series No. _____

Handle Color: B-Black Y-Yellow
Operating Force :180~250gf

Tact Switch Series

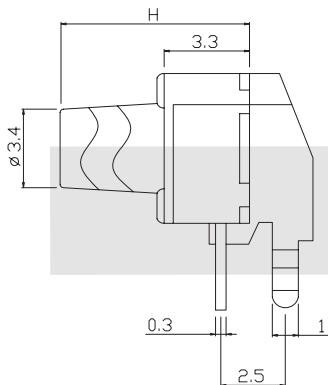
KLS7-TS6606 6x6 Tact Switch Series

ELECTRICAL

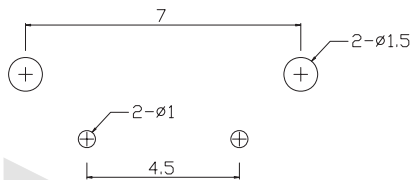
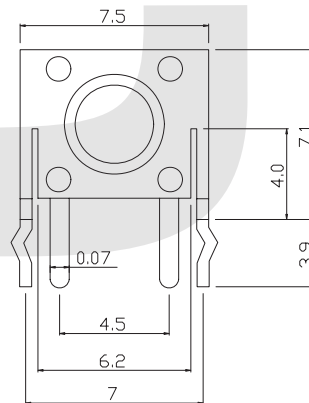
1. Rating: 50mA 12VDC
2. Contact Resistance : 50mΩ max(initial)
3. Insulation Resistance: 100MΩ(minDC 250V)
4. Dielectric Strength : AC250V(50/60Hz for 1minute)
5. Electrically Life: 100000cycles
6. Environment temperature: -20°C~+70°C
7. Operating Force: 180/250(±30gf)
8. Seal temperature: 260°C~ 280°C



Dimension (unit: mm)



H
4.3
5.0
6.0
7.0
8.0
13.0



PCB LAYOUT

ORDER INFORMATION

KLS7-TS6606 -4.3-180

Series No. _____ Operating Force :180~250gf
 Hight: 4.3mm/5.0mm/6.0mm/
 7.0mm/8.0mm/13.0mm

Tact Switch Series

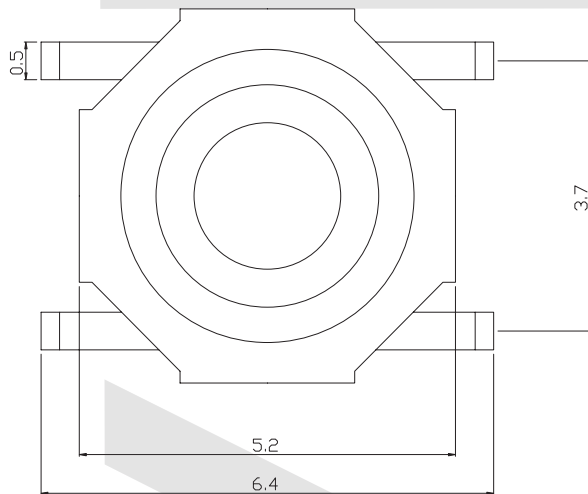
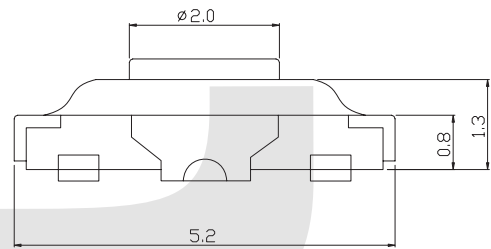
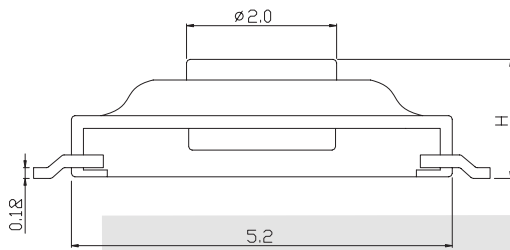
KLS7-TS6611 6x6 Tact Switch Series

ELECTRICAL

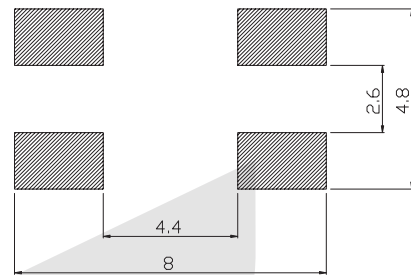
1. Rating: 50mA 12VDC
2. Contact Resistance : 50mΩ max(initial)
3. Insulation Resistance: 100MΩ(minDC 250V)
4. Dielectric Strength : AC250V(50/60Hz for 1minute)
5. Electrically Life: 100000cycles
6. Environment temperature: -20°C~+70°C
7. Operating Force: 180/250(±30gf)
8. Seal temperature: 260°C~ 280°C



H
1.5
1.7
1.9



H1=1.5mm
H2=1.7mm
H3=1.9mm



PCB LAYOUT

ORDER INFORMATION

KLS7-TS6611 - 1.5 - 180 -T

Series No.

Hight: 1.5mm/1.7mm/1.9mm

Packing: B-Bulk T-Tape

Operating Force : 180~250gf

Tact Switch Series

KLS7-TS1202 12x12 Tact Switch Series

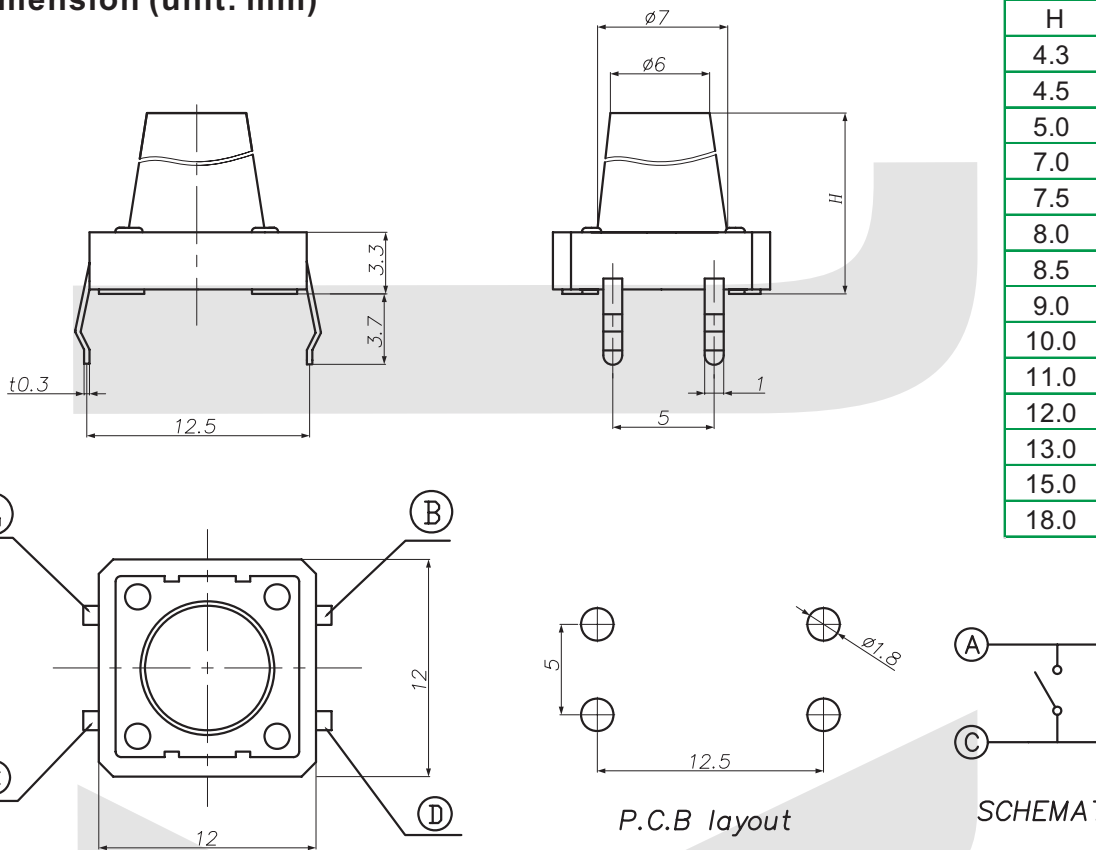
ELECTRICAL

1. Rating: 50mA 12VDC
2. Contact Resistance : 50mΩ max(initial)
3. Insulation Resistance: 100MΩ(minDC 250V)
4. Dielectric Strength : AC250V(50/60Hz for 1minute)
5. Electrically Life: 100000cycles
6. Environment temperature: -20°C~+70°C
7. Operating Force: 180/250(±30gf)
8. Seal temperature: 260°C~ 280°C



VII

Dimension (unit: mm)



ORDER INFORMATION

KLS7-TS1202 - 4.3 - 180

Series No.

Operating Force :180~250gf

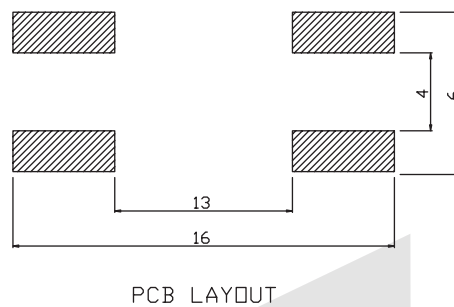
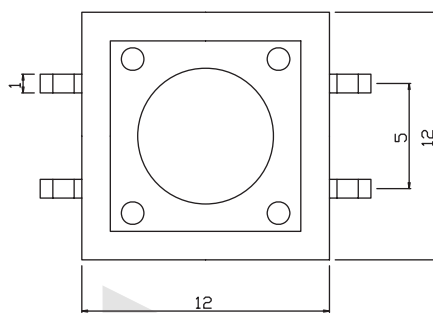
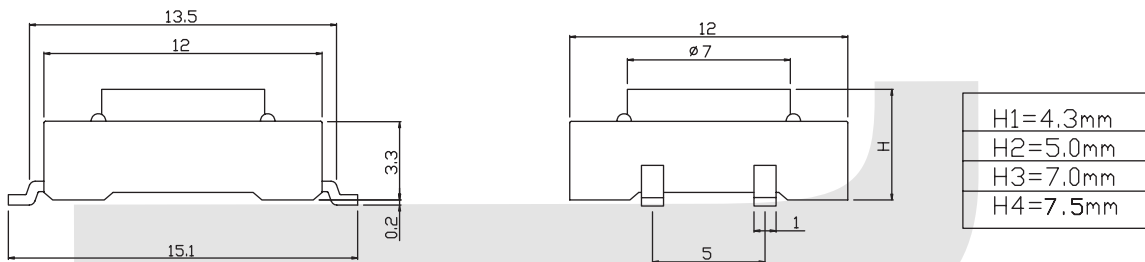
Hight: 4.3mm/4.5mm/5.0mm/7.0mm/
7.5mm/8.0mm/8.5mm/9.0mm/
10.0mm/11.0mm/12.0mm/
13.0mm/15.0mm/18.0mm

Tact Switch Series

KLS7-TS1201 12x12 Tact Switch Series

ELECTRICAL

1. Rating: 50mA 12VDC
2. Contact Resistance : 50mΩ max(initial)
3. Insulation Resistance: 100MΩ(minDC 250V)
4. Dielectric Strength : AC250V(50/60Hz for 1minute)
5. Electrically Life: 100000cycles
6. Environment temperature: -20°C~+70°C
7. Operating Force: 180/250(±30gf)
8. Seal temperature: 260°C~ 280°C



ORDER INFORMATION

KLS7-TS1201 - H1 - 180 -B

Part Number

Packing: B=Bulk T=Tape

Operating Force :180~250gf

Hight: H1=4.3mm H2=5.0mm
H3=7.0mm H4=7.5mm

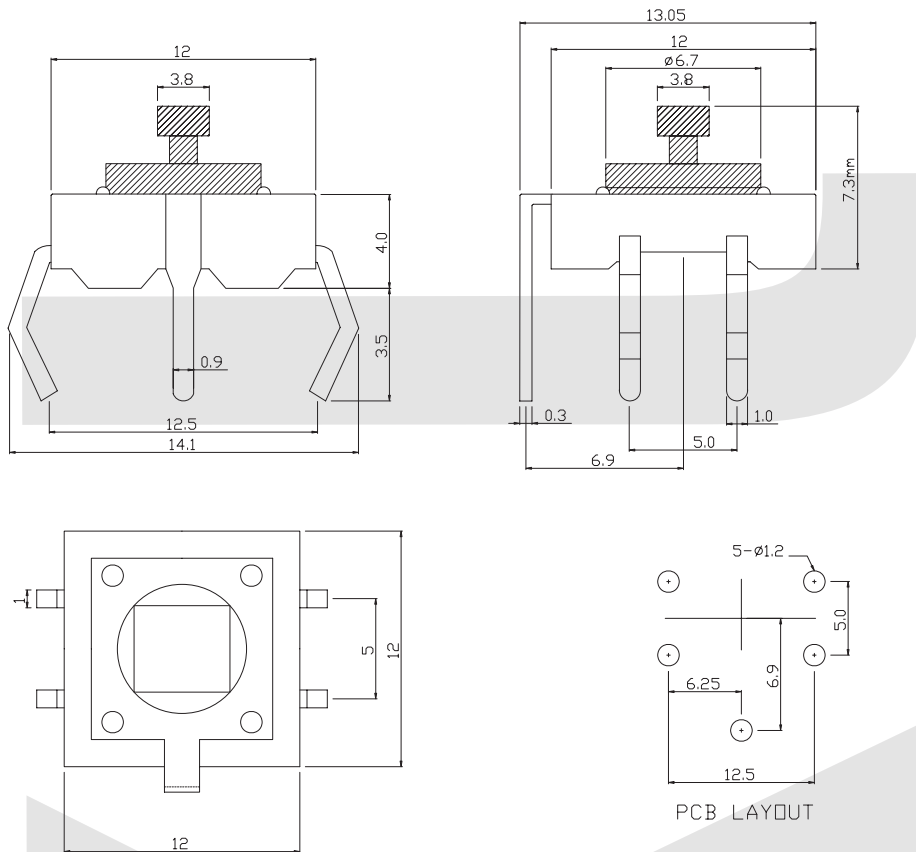
Switch

Tact Switch Series

KLS7-TS1205 12x12 Tact Switch Series

ELECTRICAL

- 1.Rating: 50mA 12VDC
- 2.Contact Resistance : 50mΩ max(initial)
- 3.Insulation Resistance: 100MΩ(minDC 250V)
- 4.Dielectric Strength : AC250V(50/60Hz for 1minute)
- 5.Electrically Life: 100000cycles
- 6.Environment temperature:-20°C~+70°C
- 7.Operating Force: 180/250(±30gf)
- 8.Seal temperature:260°C~ 280°C



ORDER INFORMATION

KLS7-TS1205 - H1 - 180

Part Number

Operating Force :180~250gf
Hight: H1=7.3mm

Tact Switch Series

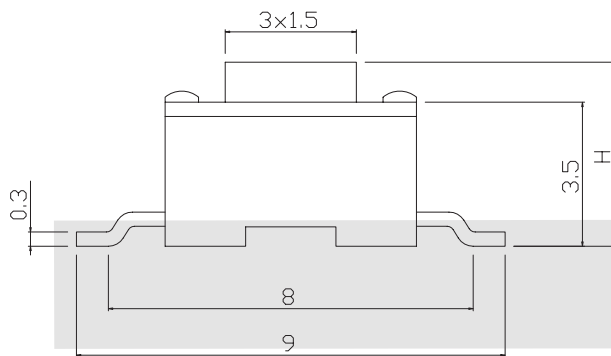
KLS7-TS3603B 3x6 Tact Switch Series

ELECTRICAL

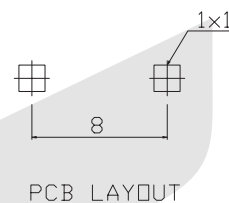
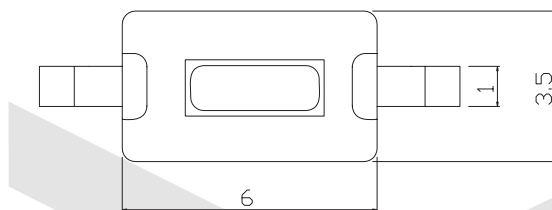
1. Rating: 50mA 12VDC
2. Contact Resistance : 50mΩ max(initial)
3. Insulation Resistance: 100MΩ(minDC 250V)
4. Dielectric Strength : AC250V(50/60Hz for 1minute)
5. Electrically Life: 100000cycles
6. Environment temperature: -30°C~+120°C
7. Operating Force: 180/250(±30gf)
8. Seal temperature: 260°C~ 280°C



Dimension (unit: mm)



H
4.3
5.0



ORDER INFORMATION

KLS7-TS3603B -4.3-180 -B

Series No. _____ Packing: B=Bulk T=Tape
 Hight: 4.3mm/5.0mm _____ Operating Force :180~250gf