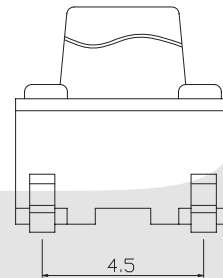
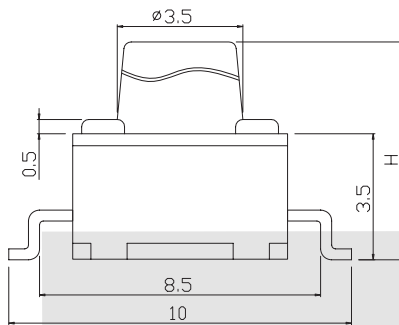


Tact Switch Series

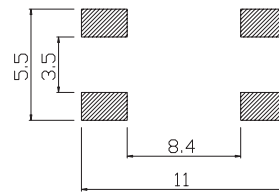
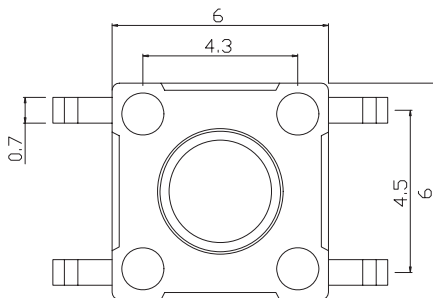
KLS7-TS6604B 6x6 Tact Switch Series

ELECTRICAL

1. Rating: 50mA 12VDC
2. Contact Resistance : 50mΩ max(initial)
3. Insulation Resistance: 100MΩ(minDC 250V)
4. Dielectric Strength : AC250V(50/60Hz for 1minute)
5. Electrically Life: 100000cycles
6. Environment temperature:-20°C~+70°C
7. Operating Force: 180/250(±30gf)
8. Seal temperature:260°C~ 280°C



H
4.3
5.0
6.0
7.0
8.0



PCB LAYOUT

ORDER INFORMATION

KLS7-TS6604B -4.3- 180- T

Series No. _____ Packing: B=Bulk T=Tape
 High: 4.3mm/5.0mm/6.0mm/
 7.0mm/8.0mm Operating Force : 180~250gf