

DATASHEET FOR LF 16060303 TRANSFORMER

Electrical Properties:

Properties		Test Conditions	Value	Unit	Tol.
Inductance	L	1kHz / 100mV	3	mH	±20%
Turns Ratio	n	N1:N2	1: 1		±3%
Saturation Current	I_{SAT}	$N1/ \Delta L/L < 10\%$		A	typ.
DC Resistance 1	R_{DC1}	@20°C		Ω	max.
DC Resistance 2	R_{DC2}	@20°C		Ω	max.
Leakege Inductance	L_S	10kHz / 100mV		μH	max.
Insulation Test Voltage	V_T		3000	V(AC)	

Certification:



RoHS Approval	Compliant [2011/65/EU&2015/863]
REACH Approval	Conform or declared [(EC)1907/2006]

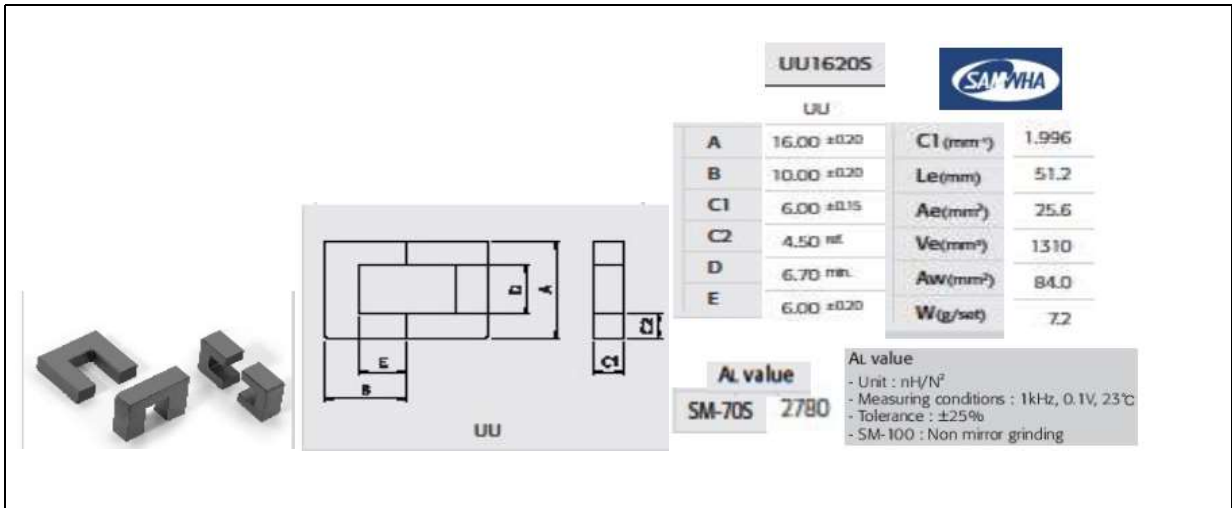
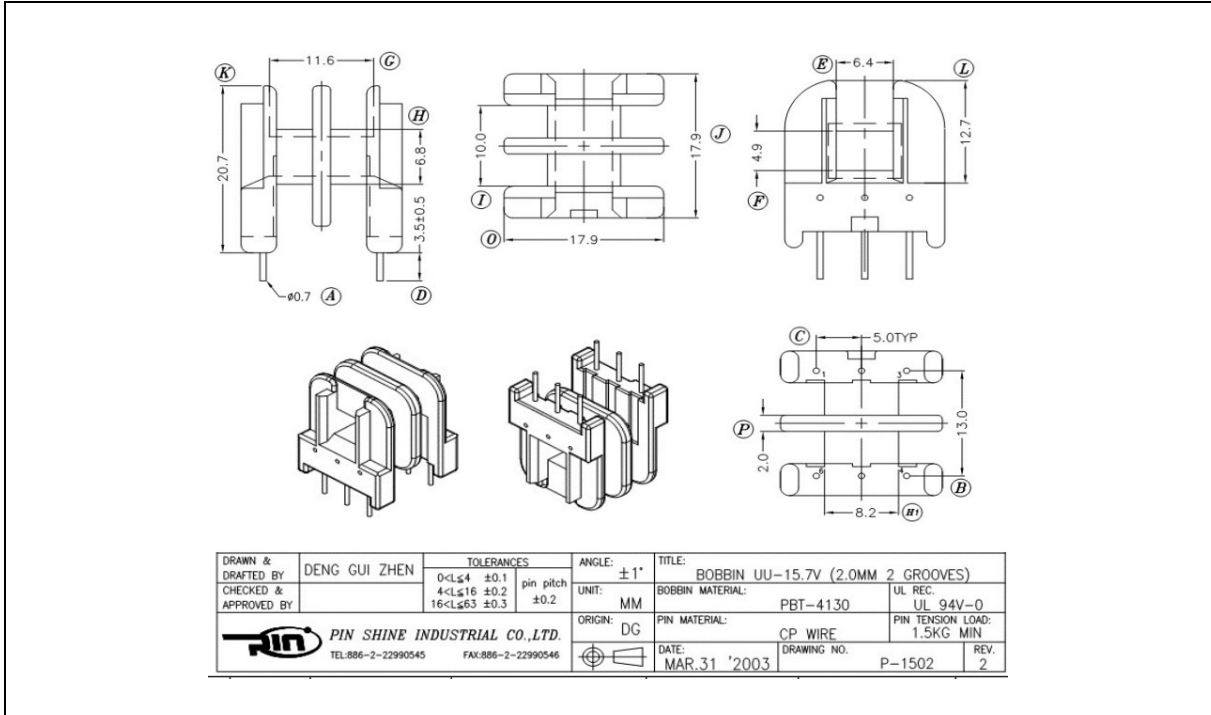
General Information:

Operating Temperature	-40 up to +125 °C
Storage Conditions (in original packaging)	< 40 °C ; < 75 % RH
Storage Conditions (for single parts)	-20 up to +60 °C
Moisture Sensitivity Level (MSL)	1
Designed to comply with the following requirements as defined by IEC61558-2-16: Basic insulation for a working voltage of 275 VRMS	
Test conditions of Electrical Properties: +20 °C, 33 % RH if not specified differently	

Typical Application:

Properties		Value	Unit
Input Voltage	V_{in}	-	V (AC)
Output Voltage 1	V_{Out1}	-	V
Output Current 1	I_{Out1}	-	A
Idle Voltage		-	V
Switching Frequency	f_{Switch}		kHz
Input: N1 Output 1: N2			
Table shows a typical application. Values may vary by application.			

 <p>RoHS COMPLIANT REACH COMPLIANT</p>	CHECKED CHC	REVISION 000.00	DATE (YYYY-MM-DD) 2023-11-15	GENERAL TOLERANCE DIN ISO 2768-1m	PROJECTION METHOD 
	 <p>ULUS ELEKTRONİK SAN. VE TİC. LTD. ŞTİ.</p>			DESCRIPTION ULUS ELEKTRONİK LINE FILTER	
SIZE/TYPE UU 16	BUSINESS UNIT Marketing		STATUS Draft	PAGE Sayfa 1 / 3	



	CHECKED	REVISION	DATE (YYYY-MM-DD)	GENERAL TOLERANCE	PROJECTION METHOD
	CHC	000.00	2023-11-15	DIN ISO 2768-1m	
	DESCRIPTION			ORDER CODE	
	ULUS ELEKTRONİK LINE FILTER			LF 16060303	
SIZE/TYPE	BUSINESS UNIT		STATUS	PAGE	
UU 16	Marketing		Draft	Sayfa 2 / 3	

Şema Scheme	Sarım Sırası ve Şekli Winding Order and Type	Mekanik Çizim/Mechanical Drawing
	<p>UU 16 Beyaz İnce Böl</p>	<p>Alttan Görünüş Bottom View</p>

<p>RoHS COMPLIANT REACH COMPLIANT</p>	<p>CHECKED CHC</p>	<p>REVISION 000.00</p>	<p>DATE (YYYY-MM-DD) 2023-11-15</p>	<p>GENERAL TOLERANCE DIN ISO 2768-1m</p>	<p>PROJECTION METHOD </p>
<p>ULUS ELEKTRONİK SAN. VE TİC. LTD. ŞTİ.</p>	<p>DESCRIPTION ULUS ELEKTRONİK LINE FILTER</p>			<p>ORDER CODE LF 16060303</p>	
	<p>SIZE/TYPE UU 16</p>	<p>BUSINESS UNIT Marketing</p>		<p>STATUS Draft</p>	<p>PAGE Sayfa 3 / 3</p>