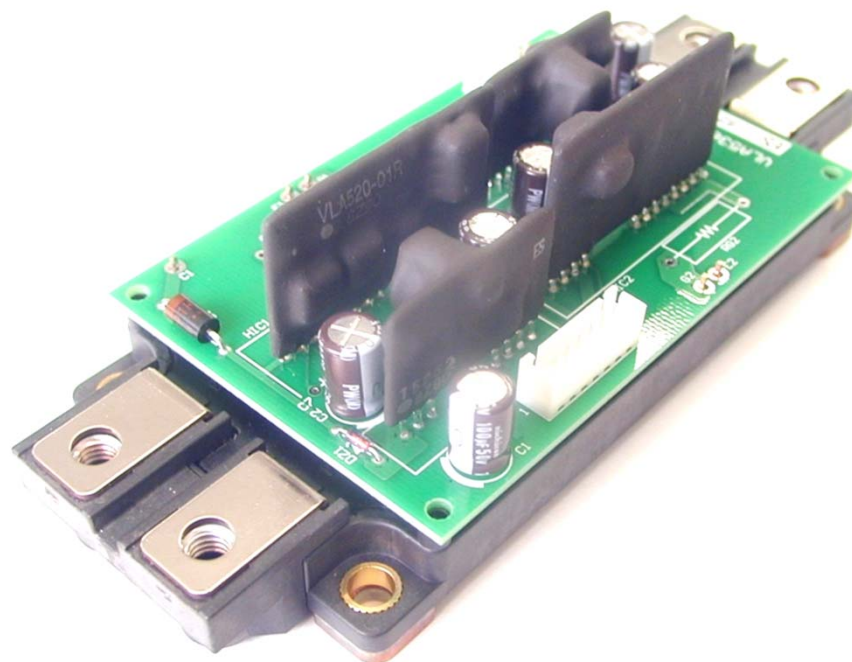


# IGBT Gate Drive Unit VLA536-01R



Apr.07,'09



**FEATURE**

- >Possible to mount on the IGBT package (2 in 1 package)
- >Built in the isolated DC-DC converter for gate drive
- >Built in short circuit protection
- >Electrical isolation voltage is 2500Vrms (for 1 minute)
- >Two way power supply system for drivers and input signal (VD=15V , VIN=5V)
- >CMOS compatible input interface

**RECOMMENDED IGBT MODULES**

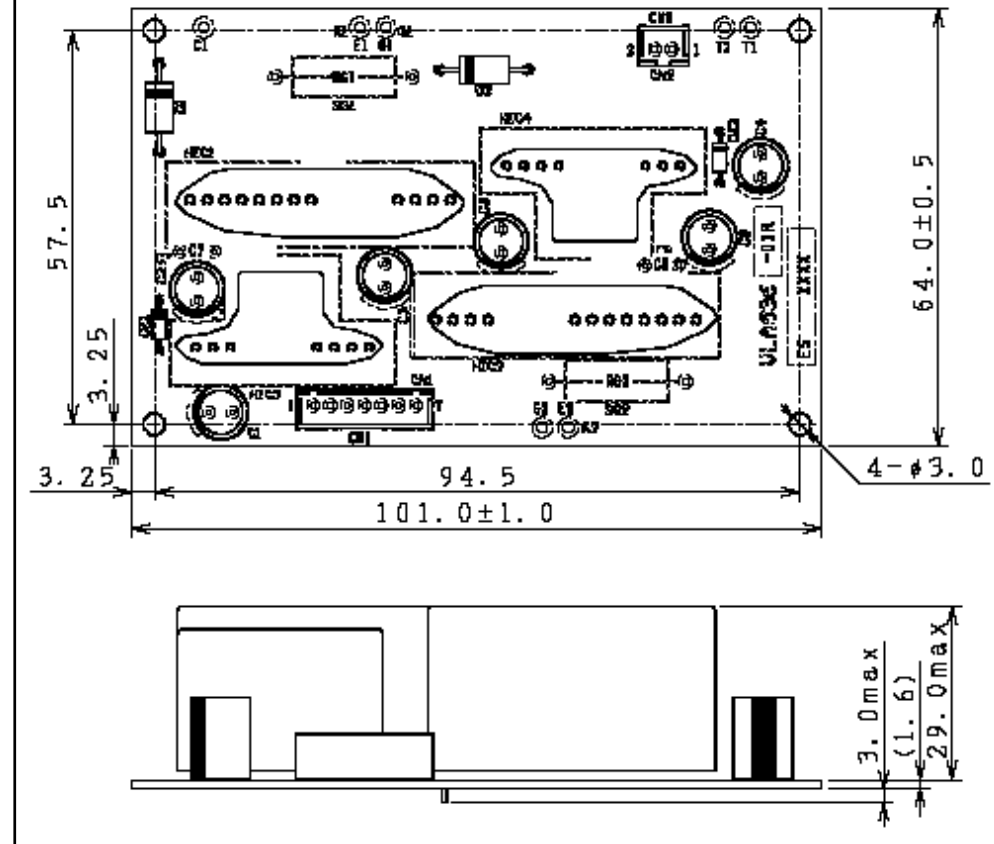
MITSUBISHI NX series IGBT modules

VCES = 600V series ~ 400A class

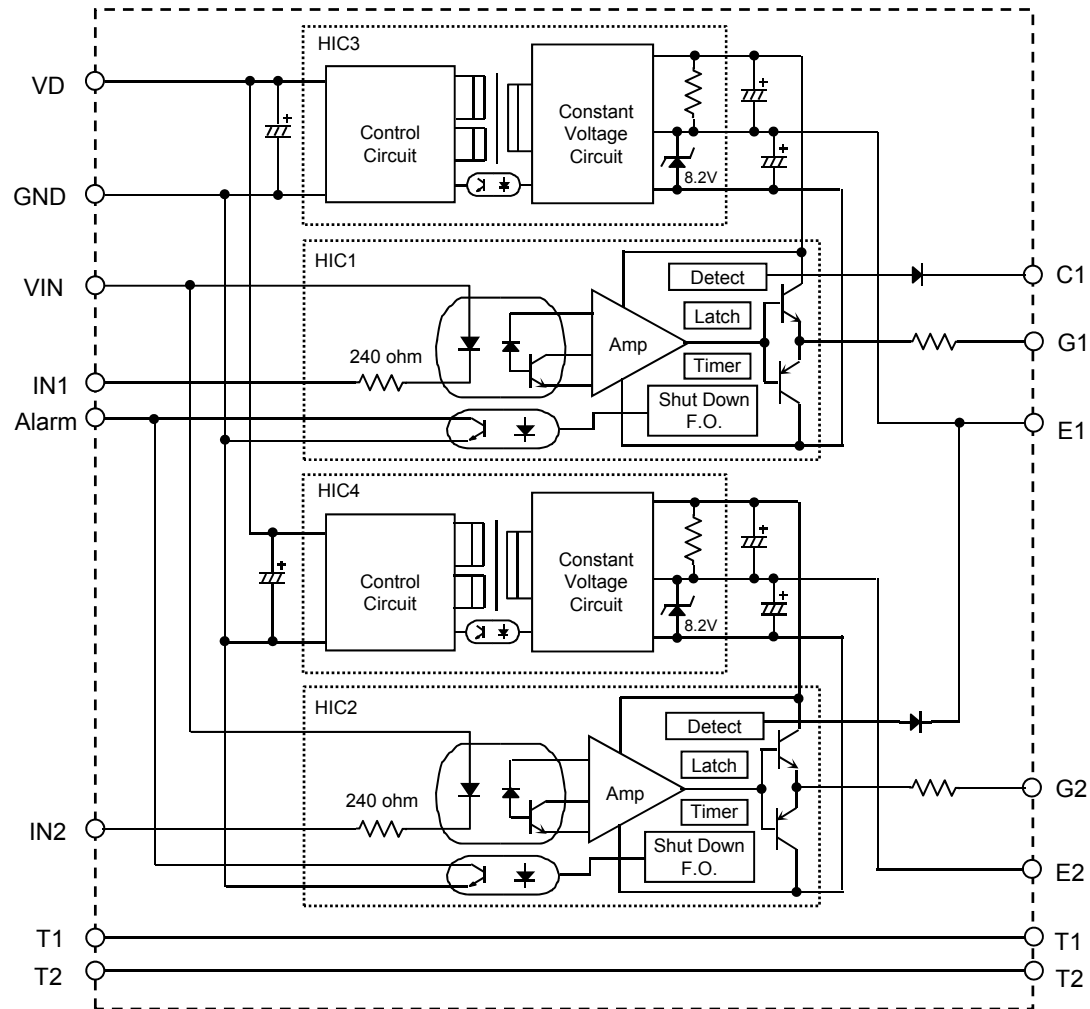
VCES = 1200V series ~ 450A class

**OUTLINE DRAWING**

Unit : mm



**BLOCK DIAGRAM**



**MAXIMUM RATINGS** (unless otherwise noted, Ta=25C)

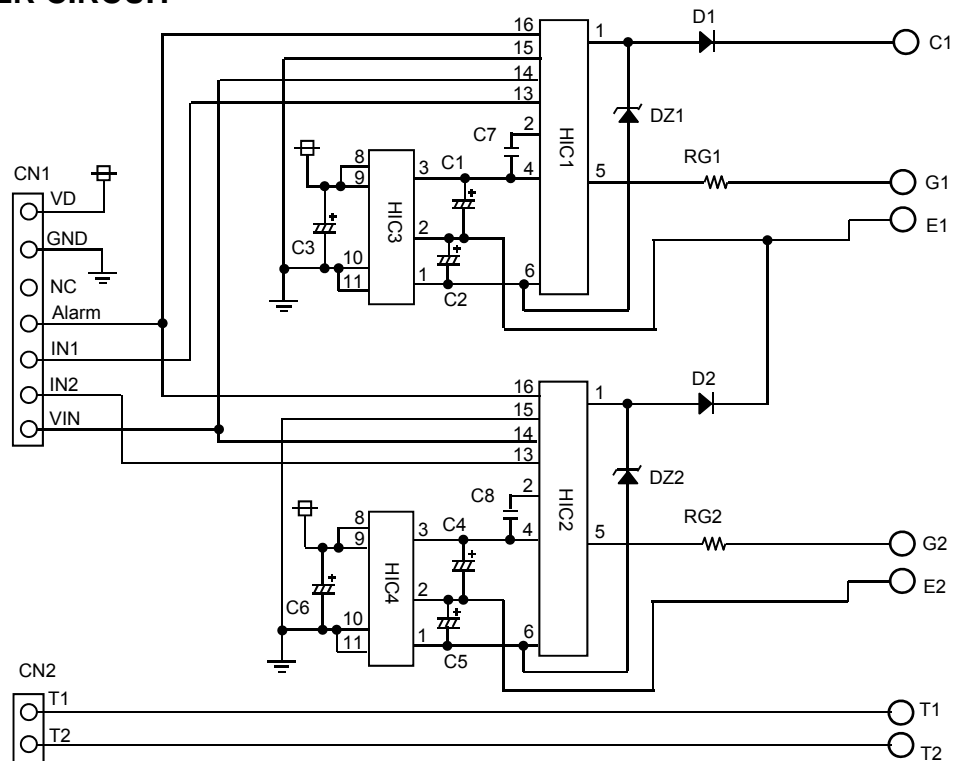
Symbol	Parameter	Conditions	Ratings	Unit
VD	Supply voltage	DC	18	V
VI	Input signal voltage	Applied between VIN - IN1,2 50% Duty cycle, Pulse width 1ms	-1 ~ +7	V
IOHP	Gate peak current	Pulse width 2us	-5	A
IOLP			5	A
Viso	Isolation voltage	Sine wave voltage 60Hz, for 1min	2500	Vrms
Topr	Operating temperature	No condensation allowable	-20 ~ 70	deg C
Tstg	Storage temperature	No condensation allowable	-25 ~ 85	deg C
Ialm	Alarm pin output sink current	-	10	mA
Valm	Alarm pin voltage	Between Alarm - GND	50	V
Idrive	Gate drive current	Gate average current (Per one circuit)	83	mA

**ELECTRICAL CHARACTERISTICS** ( unless otherwise noted, Ta=25C, VD=15V )

Symbol	Parameter	Conditions	Limits			Unit
			Min	Typ	Max	
VD	Supply voltage	Recommended range	12	15	18	V
VIN	Pull-up voltage on input side	Recommended range	4.75	5	5.25	V
IIH	Input signal current	Recommended range	10	13	16	mA
f	Switching frequency	Recommended range	-	-	20	kHz
RG	Gate resistance	Recommended range	2	-	-	ohm
Ialm	Alarm output current	Recommended range	-	-	5	mA
VOH	Plus bias voltage	-	14.5	16.0	17.5	V
VOL	Minus bias voltage	-	-9.0	-8.0	-7.0	V
tPLH	"L-H" propagation time	IIH = 13mA	0.2	0.45	0.8	us
tPHL	"H-L" propagation time	IIH = 13mA	0.2	0.4	0.7	us
t_timer	Timer	Between start and clear (under input signal "OFF")	1	1.4	2	ms
tdalm	Alarm delay time	Ialm=2.5mA	-	6.5	10	us
VSC	SC detect collector voltage	IGBT collector voltage	15	-	-	V



**INNER CIRCUIT**



CN1	
PinN.o.	Pin name
1	VD
2	GND
3	NC
4	Alarm
5	IN1
6	IN2
7	VIN

CN2	
Pin N.o.	Pin name
1	T1
2	T2

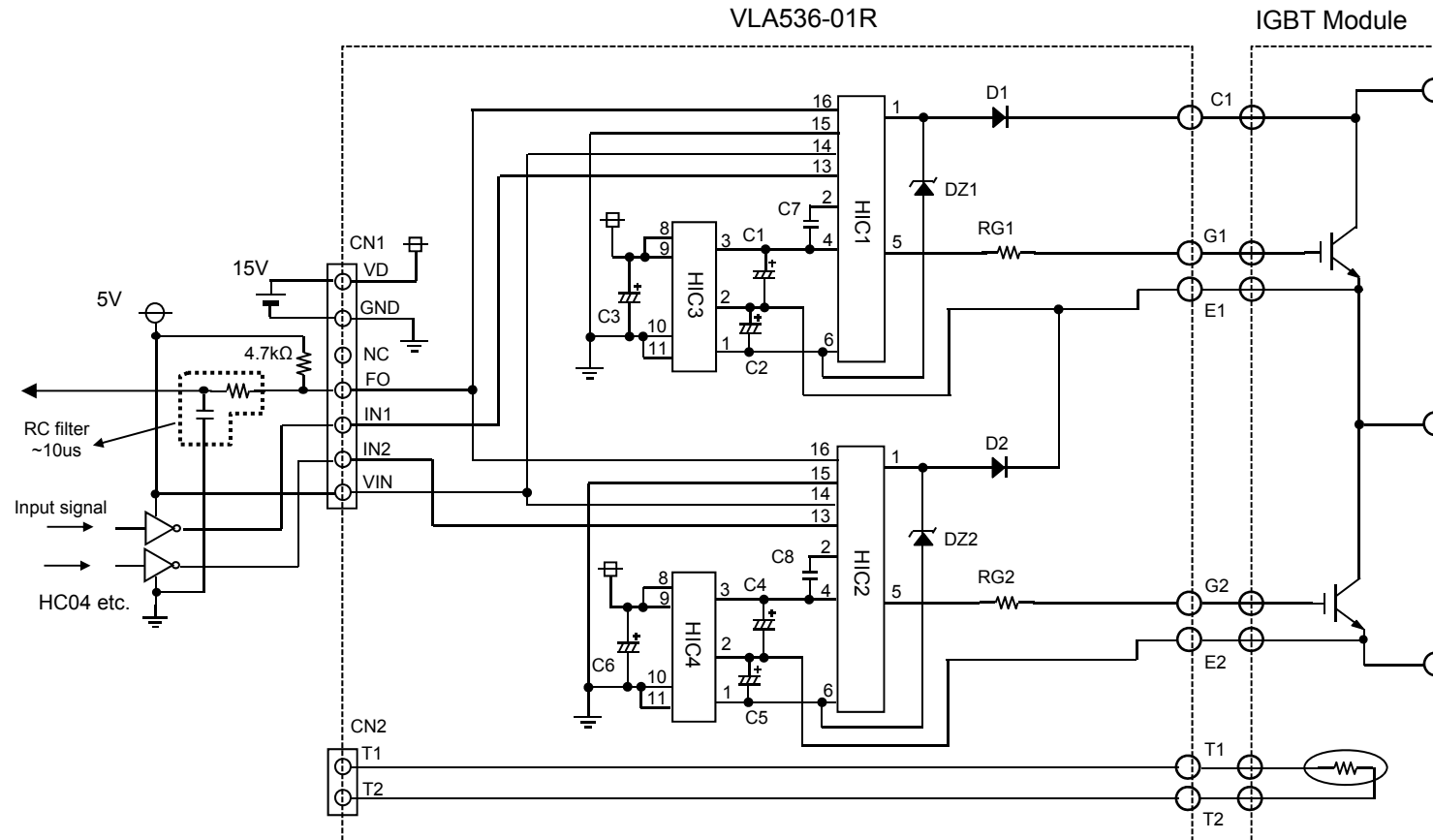
Parts list ( Reference )

HIC1,2	VLA520-01R	ISAHAYA
HIC3,4	VLA106-15252	ISAHAYA
DZ1,2	30V, 500mW	
D1,2	RP1H	SanKen
C1 ~ 6	100uF, 50V	Low impedance
C7,8	10pF ~ 50pF , 50V	TDK FK28 type
RG1,2	3W class	
CN1	B7B-XH-A	JST
CN2	B2B-XH-A	JST

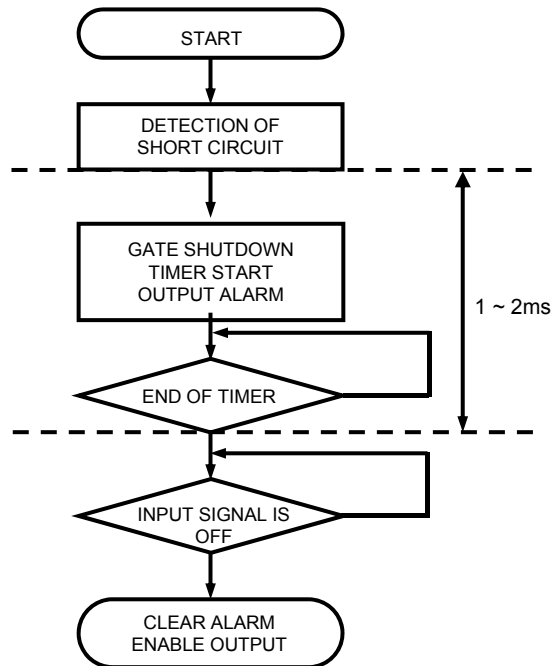
\*1) Gate Resistor is not installed at the time of shipment.  
Please solder the chosen resistor.

\*2) C7,8 is not installed at the time of shipment.  
Please solder the chosen condenser if needed.  
(Rough guide 10 ~ 50pF , 50V, ceramic)

APPLICATION EXAMPLE

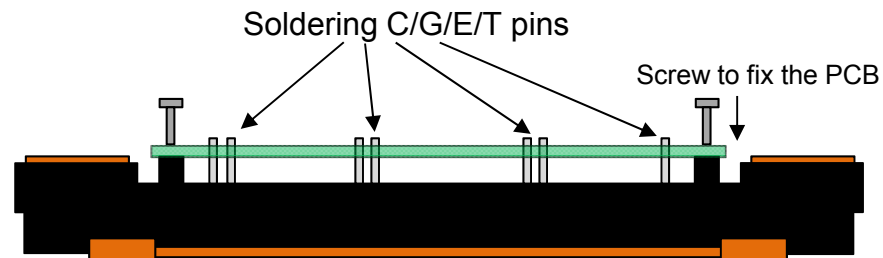


## OPERATION FLOW ON DETECTING SHORT CIRCUIT



- (1) In case the gate voltage is "H" and the collector voltage is high, the gate driver will recognize the circuit as short circuit and immediately reduce the gate voltage. (Slow shut down) Besides, put out an alarm sign which inform that protection circuit is operating.
- (2) The protection circuit return to ordinary condition if input sign is OFF when the predetermined time(1~2ms) passed. ( OFF period is needed more than 40us.)

## INSTALLATION OF THE PCB ON IGBT MODULE



**Keep safety first in your circuit designs!**

·ISAHAYA Electronics Corporation puts the maximum effort into making semiconductor products better and more reliable, but there is always the possibility that trouble may occur with them. Trouble with semiconductors may lead to personal injury, fire or property damage. Remember to give due consideration to safety when making your circuit designs, with appropriate measures such as (1) placement of substitutive, auxiliary circuits, (2) use of non-flammable material or (3) prevention against any malfunction or mishap.

**Notes regarding these materials**

- These materials are intended as a reference to our customers in the selection of the ISAHAYA products best suited to the customer's application; they don't convey any license under any intellectual property rights, or any other rights, belonging to ISAHAYA or third party.
- ISAHAYA Electronics Corporation assumes no responsibility for any damage, or infringement of any third party's rights, originating in the use of any product data, diagrams, charts or circuit application examples contained in these materials.
- All information contained in these materials, including product data, diagrams and charts, represent information on products at the time of publication of these materials, and are subject to change by ISAHAYA Electronics Corporation without notice due to product improvements or other reasons. It is therefore recommended that customers contact ISAHAYA Electronics Corporation or an authorized ISAHAYA products distributor for the latest product information before purchasing product listed herein.
- ISAHAYA Electronics Corporation products are not designed or manufactured for use in a device or system that is used under circumstances in which human life is potentially at stake. Please contact ISAHAYA Electronics Corporation or an authorized ISAHAYA products distributor when considering the use of a product contained herein for any specific purposes, such as apparatus or systems for transportation, vehicular, medical, aerospace, nuclear, or undersea repeater use.
- The prior written approval of ISAHAYA Electronics Corporation is necessary to reprint or reproduce in whole or in part these materials.
- If these products or technologies are subject to the Japanese export control restrictions, they must be exported under a license from the Japanese government and cannot be imported into a country other than the approved destination. Any diversion or re-export contrary to the export control laws and regulations of Japan and/or the country of destination is prohibited.
- Please contact ISAHAYA Electronics Corporation or authorized ISAHAYA products distributor for further details on these materials or the products contained therein.

