

# Technical Document

## VCD 133190 23 AC 41 MA

PN: 453101

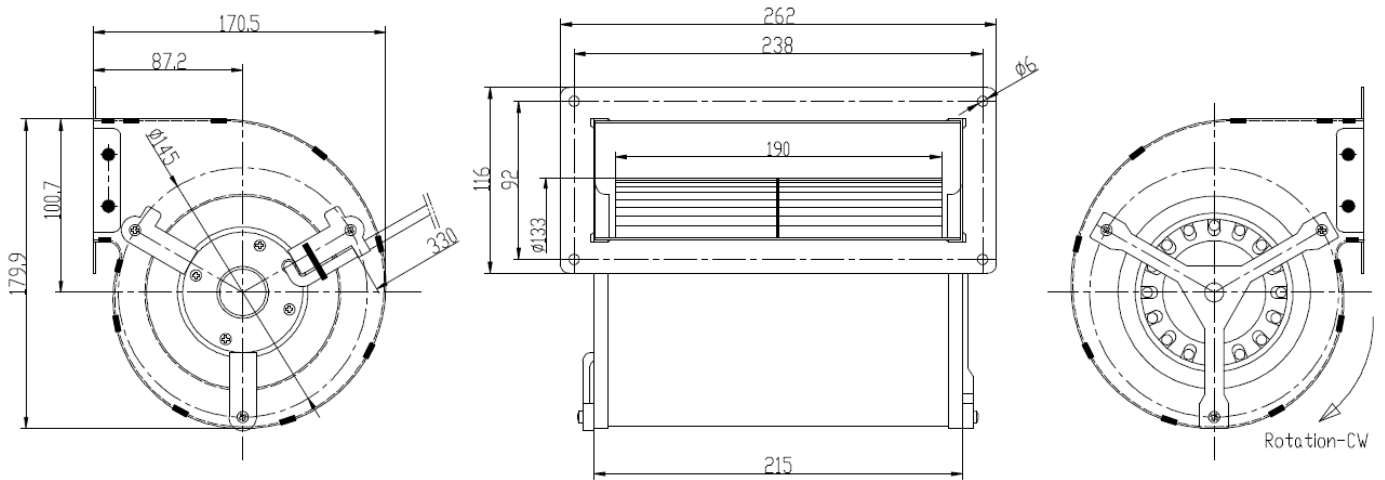
March 18, Brussels

## Features

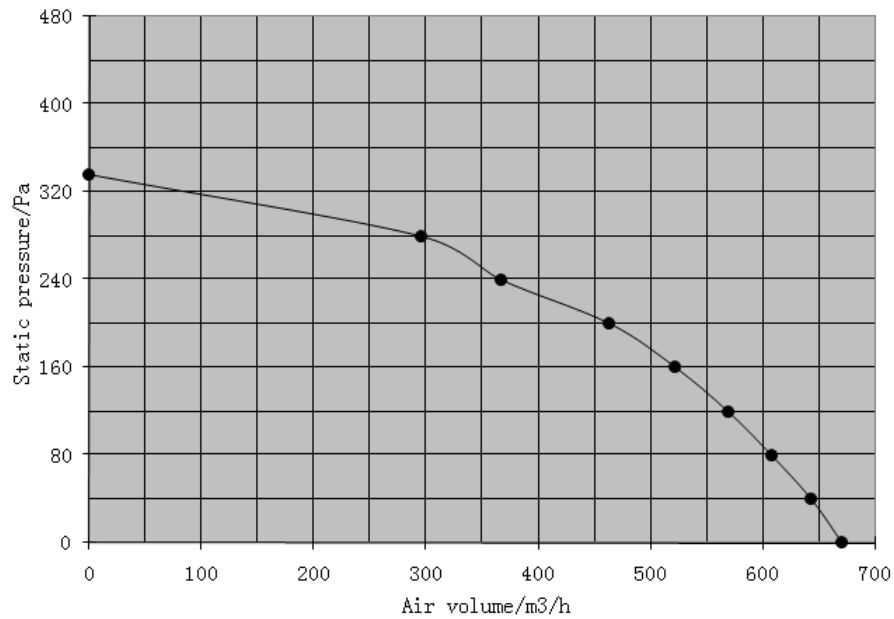
Parameter	Units	Specifications
Impeller diameter	mm	Ø133
Weight	kg	3.9
Phase	-	1
Power Supply	VAC	230
Frequency	Hz	50
Power Input	W	190
Speed	RPM	1500
Max. Air Flow	m <sup>3</sup> /h	670
Pressure	Pa	0
Sound Level	dBA	62.0
Max. Ambient Temp.	°C	50
Capacitor	µF	5
Rotation	-	CW
Insulation Class	-	B
Housing Material	-	Sheet Steel, galvanized
Impeller Material	-	Sheet Steel, galvanized
Certifications	-	CE

\*: above specifications are subject to change without prior notice

## Dimensions



## Performance



### Ordering Code:

Model	Part Number	Description
VCD 133190 23AC41MA	453101	Double inlet AC centrifugal blower of wheel dimension 133 mm