

**12038** 120x120x38MM

**General Specifications**

- ◆ Material..... Frame: Plastic (UL94V-0)  
Impeller: Plastic (UL94V-0)  
Lead Wire: UL1007AWG#24 or Equivalent (+) Red, (-) Black
- ◆ Expected Life..... Ball Bearing 50,000hrs (40°C)  
Sleeve Bearing 30,000hrs (40°C)
- ◆ Temperature Range.... Operating temperature -10°C~70°C (Non-condensing)  
Storage temperature -40°C~70°C (Non-condensing)
- ◆ Safety Standards..... UI, TUV, RoHS, CE
- ◆ DC Fan Specials..... RD, FG, PWM, Temperature control , IP56

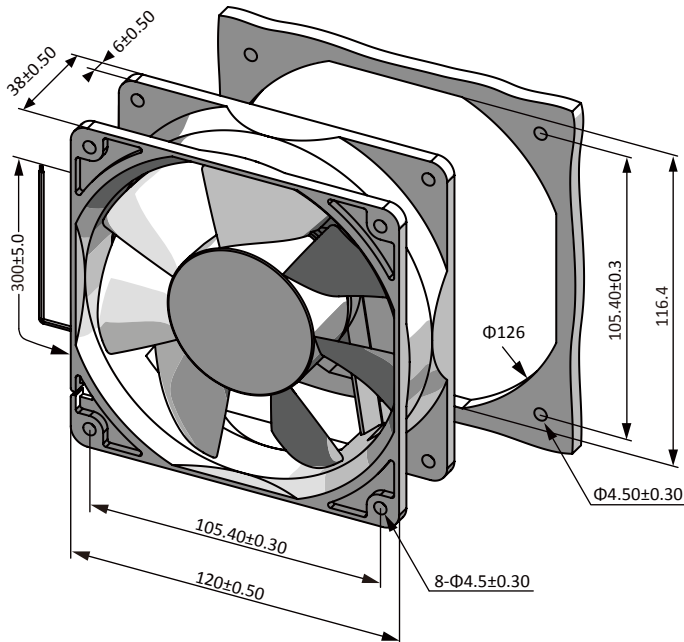


**Specifications**

Model	#Bearing Type	Rated Voltage	Operating Voltage	Input Current	Input Power	Speed	Max Air Flow		Max Static Pressure		Noise	Weight
Part No.	B.S	VDC	VDC	Amp	Watt	RPM	CFM	m <sup>3</sup> /min	Inch-H <sub>2</sub> O	Pa	dB-A	g
DA12038#12U	B.S	12	7.0~13.8	1.50	18.00	4000	165.05	4.67	0.60	150.63	58.0	262.0
DA12038#12H	B.S	12	7.0~13.8	1.00	12.00	3500	144.21	4.08	0.50	124.25	53.0	262.0
DA12038#12M	B.S	12	7.0~13.8	0.60	7.20	3000	115.29	3.27	0.34	83.55	48.0	262.0
DA12038#12L	B.S	12	7.0~13.8	0.40	4.80	2500	101.85	2.88	0.26	64.63	40.0	262.0
DA12038#24U	B.S	24	14.0~27.6	1.00	24.00	4000	165.05	4.67	0.60	150.63	58.0	262.0
DA12038#24H	B.S	24	14.0~27.6	0.60	14.40	3500	144.21	4.08	0.50	124.25	53.0	262.0
DA12038#24M	B.S	24	14.0~27.6	0.40	9.60	3000	115.29	3.27	0.34	83.55	48.0	262.0
DA12038#24L	B.S	24	14.0~27.6	0.20	4.80	2500	101.85	2.88	0.26	64.63	40.0	262.0
DA12038#48U	B.S	48	28.0~56.0	0.60	28.80	4000	165.05	4.67	0.60	150.63	58.0	262.0
DA12038#48H	B.S	48	28.0~56.0	0.40	19.20	3500	144.21	4.08	0.50	124.25	53.0	262.0
DA12038#48M	B.S	48	28.0~56.0	0.20	9.60	3000	115.29	3.27	0.34	83.55	48.0	262.0
DA12038#48L	B.S	48	28.0~56.0	0.12	5.76	2500	101.85	2.88	0.26	64.63	40.0	262.0

Specifications are subject to change without notice. Please visit our website at <http://www.szhxht.com> for update information

**Dimensions (Unit:mm)**



**PQ Curve (At rated Voltage)**

