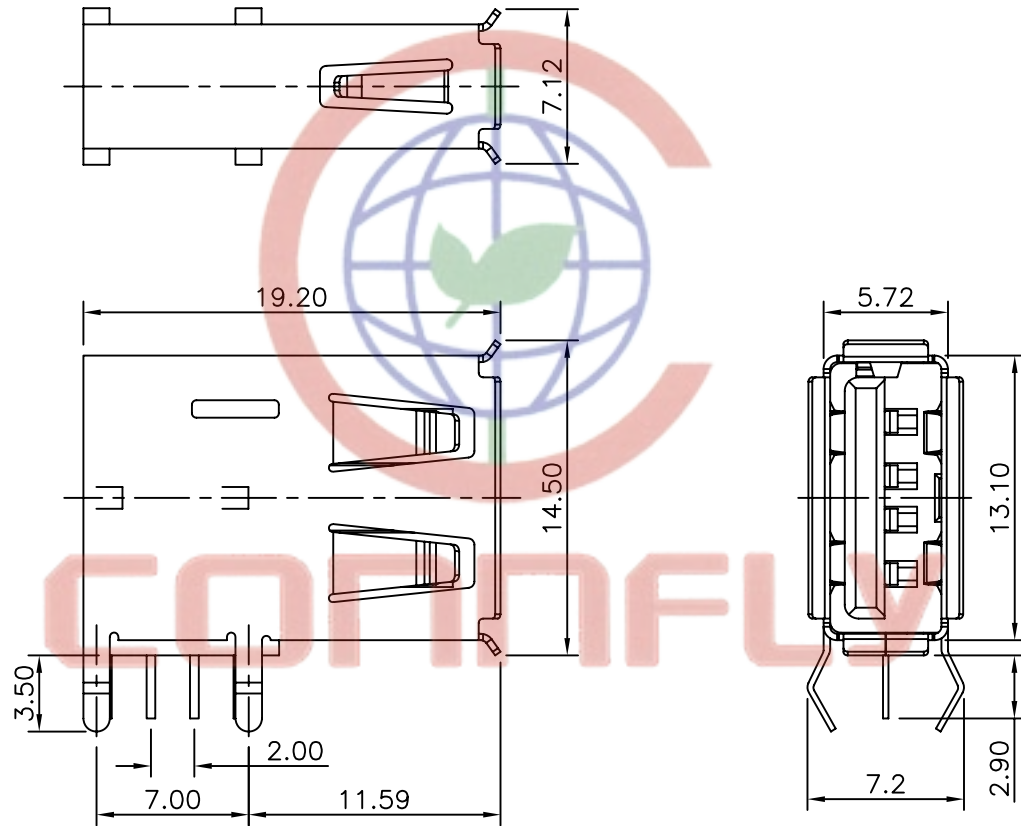


REV.	DESCRIPTION	DRAWN	CHECKED	APPROVED
A	NEW RELEASE	YCH 08/09/08'	~	



NOTES:

1. SPECIFICATIONS:

- 1.0 CONTACT RESISTANCE: 30mΩ max.
- 1.1 INSULATOR RESISTANCE: 1000MΩ min. AT DC 500V.
- 1.2 CURRENT RATING: 1.5A.
- 1.3 VOLTAGE RATING: 30V AC/DC.
- 1.4 DIELECTRIC STRENGTH: AC 500V FOR 1 Minute.
- 1.5 TEMPERATURE RANGE: -40°C ~ +105°C .

2. MATERIALS:

- 2.0 HOUSING: PBT+30% GLASS FIBER(UL 94-0).
- 2.1 CONTACT: COPPER ALLOY
- 2.2 SHELL: COPPER ALLOY.

3. PRODUCT NUMBER CODE:

DS1095-01-X X X X

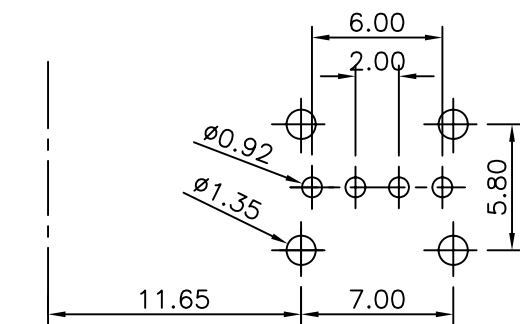
CONTACT PLATING
 0: Selective gold flash
 03: Selective gold 3u"
 30: Selective gold 30u"

MOUNTING TYPE
 R: R/A

SHELL PLATING:
 N: Nickel
 6: Tin

COLOR OF HOUSING:
 W: WHITE
 B: Black

SERIES No.
 DS1095-01



Tel:86-574-63508787

Fax:86-574-63510817

E-mail:sale@zhenqin.com.cn

Http://www.connfly.com

GENERAL TOLERANCE		ANGLE TOLERANCE		PROJECTION		TITLE	USB A TYPE UP RIGHT ANGLE TYPE	
X.	±0.60	X.	±5°	UNITS	mm			
.X	±0.38	.X	±3°	SHEET SIZE	A4	SERIES	DS1095-01 SERIES	
.XX	±0.25	.XX	±2°					
DRAWING TYPE		CUSTOMER						
SCALE		1:1	SHEET		1 OF 1			
DRAWING NO.		C-DS1095-01-XXRX						

晨翔电子有限公司
CONNFLY CONNFLY ELECTRONIC CO. LTD