



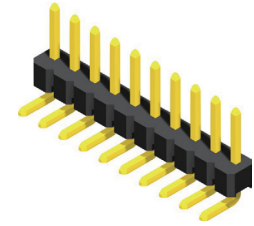
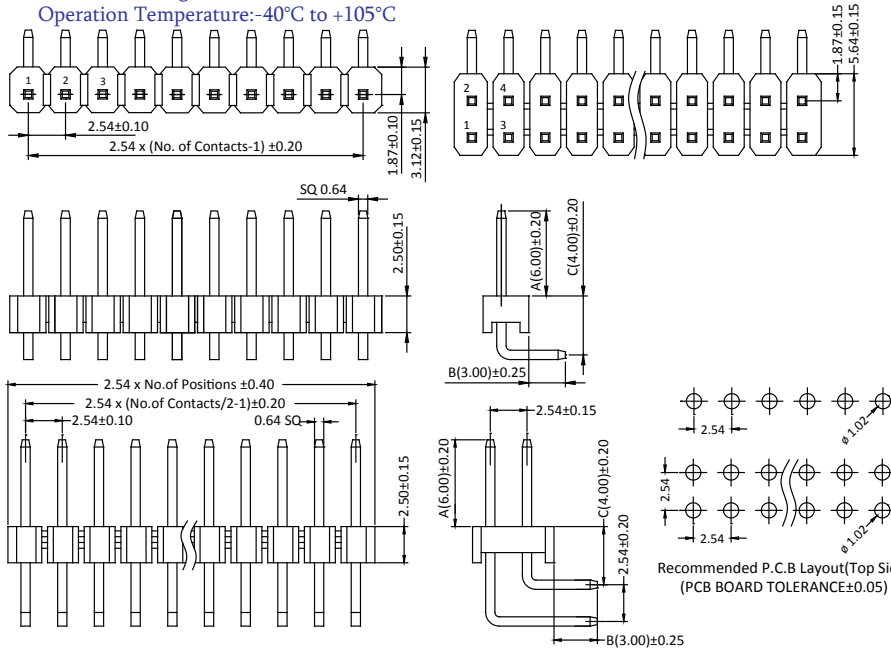
Pin Header 2.54mm 1 & 2 Row H=2.5mm Eccentric Right Angle Type

Specifications

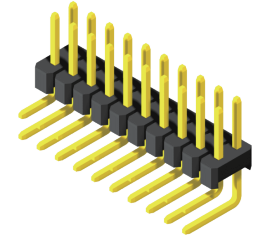
Current Rate: 3 AMP
 Insulation Resistance: 1000MΩ Min.
 Contact Resistance: 20mΩ Max.
 Dielectric Voltage: 1000V AC for one minute
 Operation Temperature: -40°C to +105°C

Material

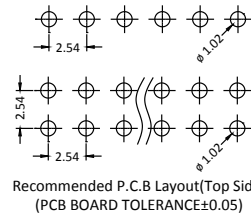
Insulator: P.B.T or Hi-Temp. Thermoplastic, UL 94V-0
 Terminal: Copper Alloy
 Standard Plating: Gold Flash



P/N.: 5PH1RDB25-1XX



P/N.: 5PH1RDB25-2XX



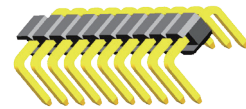
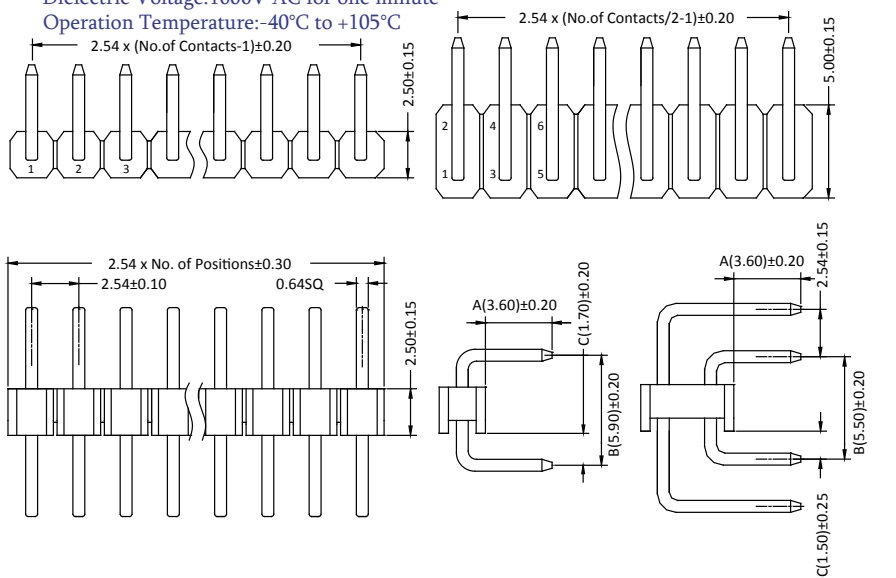
Pin Header 2.54mm 1 & 2 Row H=2.5mm C Type

Specifications

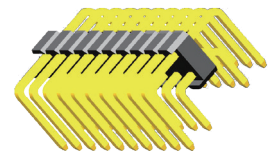
Current Rate: 3 AMP
 Insulation Resistance: 1000MΩ Min.
 Contact Resistance: 20mΩ Max.
 Dielectric Voltage: 1000V AC for one minute
 Operation Temperature: -40°C to +105°C

Material

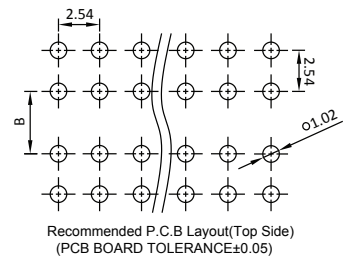
Insulator: P.B.T or Hi-Temp. Thermoplastic, UL 94V-0
 Terminal: Copper Alloy
 Standard Plating: Gold Flash



P/N.: 5PH1CDA25-1XX



P/N.: 5PH1CDA25-2XX



ORDER INFORMATION

5	P	H	1	X	X	X	2	5	-	X	X	X	X	N	N	B	X	-	A/B/C
RDB: off-center Type; R/A Dip CDA: C Type DIP							Plastic Height 25: H=2.5mm		No. of Contact Per Row (02~40)				N: W/O Peg B: Bag		U: RoHS Hi-Temp. L: RoHS + PBT		EX.: 060030040 A: 6.00(060) B: 3.00(030) C: 4.00(040)		
							1: Single Row 2: Dual Row		◎G0: Gold Flash S0: Selective GA: Gold 5u" SA: Selective 5u" GB: Gold 10u" SB: Selective 10u" GC: Gold 20u" SC: Selective 20u" GD: Gold 30u" SD: Selective 30u" T0: Tin Plated TE: Tin 200u"										

◎: Standard Recommend
 Tube package is not available for under 1*5 & 2*5 pin counts

Old P/N: PH1RDL25-1/2
 PH1C25-1/2

P in Header 2.54mm

RoHS