



# PRODUCT SPECIFICATION

**Model No.: FYL-5019RGBC1C-CC**

Descriptions:
<ul style="list-style-type: none"> <li>■ Dice material: AlGaInP;InGaN;InGaN.</li> <li>■ Emitting Color: Super Bright Red;Super Bright Pure Green;Super Bright Blue.</li> <li>■ Device Outline: Φ5mm round type.</li> <li>■ Lens Type: Water clear.</li> </ul>



CUSTOMER APPROVED SIGNATURES	APPROVED BY	SALES BY	PREPARED BY
			

**NINGBO FORYARD OPTOELECTRONICS CO.,LTD.**

**Add:**No. 666 Jinghua Road, Hi-tech Park, Ningbo, Zhejiang, China

**Zip:**315103

**Tel:** 0086-574-87933652 87927870

**Fax:** 0086-574-87927917

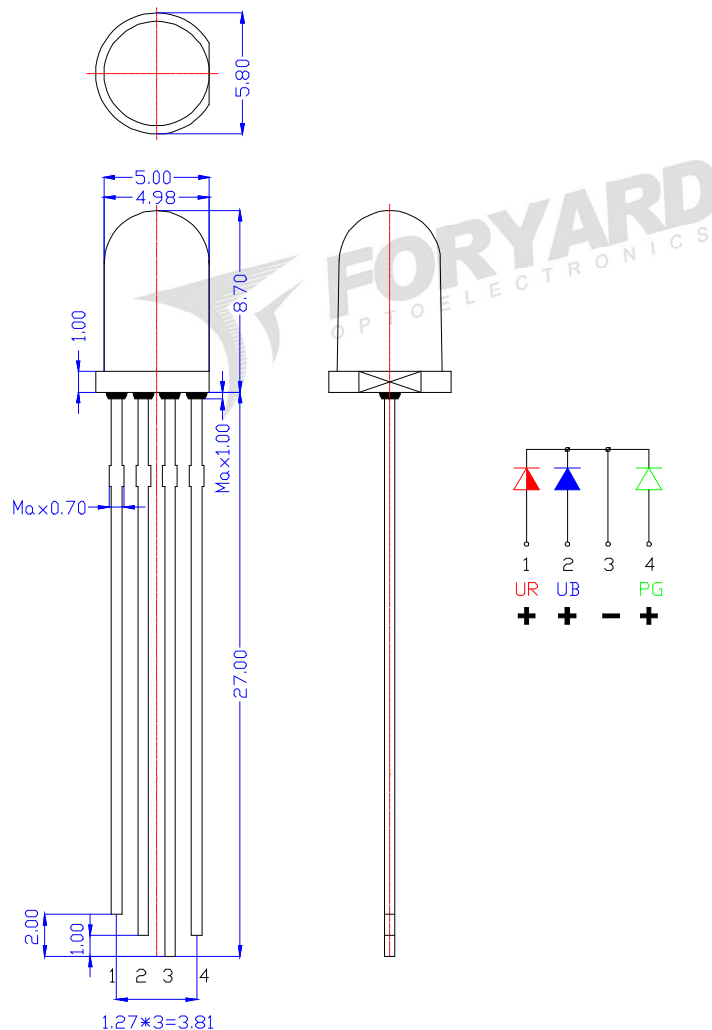
**E-mail:**Sales@foryard.com (General)

Model No.: FYL-5019RGBC1C-CC

### ■ Features

- 1.Low power consumption.
- 2.High efficiency.
- 3.General purpose leads.
- 4.High intensity.
- 5.RoHs compliant.

### ■ Package configuration



### Notes:

1. All dimensions are millimeters (inches)
2. Tolerance is  $\pm 0.25\text{mm}$  (.010") unless otherwise noted.
3. The specifications, characteristics and technical data described in the datasheet are subject to change without prior notice.
4. The drawing is different from the actual one, please refer to the sample.

Model No.: FYL-5019RGBC1C-CC

■ Absolute Maximun Ratings(Ta=25°C)

Parameter	MAX.			Unit
	UR	PG	UB	
Power Dissipation	95	80	80	mW
Peak Forward Current (1/10 Duty Cycle, 0.1ms Pulse Width)	100	100	100	mA
Continuous Forward Current	35	20	20	mA
Derating Linear From 50°C	0.4			mA/°C
Reverse Voltage	5			V
Operating Temperature Range	-30°C to +80°C			
Storage Temperature Range	-40°C to +100°C			
Lead Soldering Temperature[4mm(.157") From Body]	260°C for 5 Seconds			

■ Typical Electrical & Optical Charcteristics(Ta=25°C)

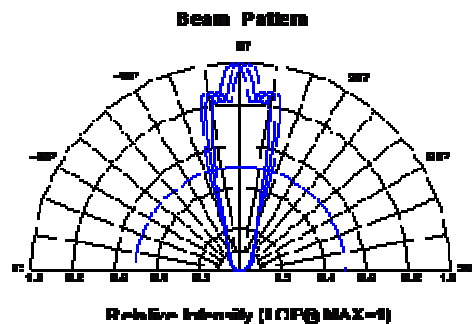
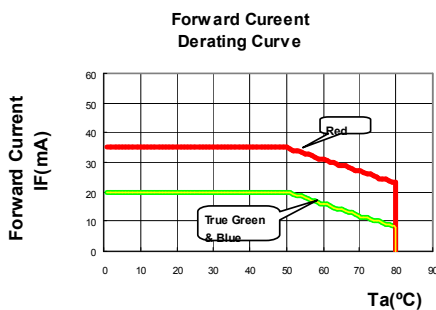
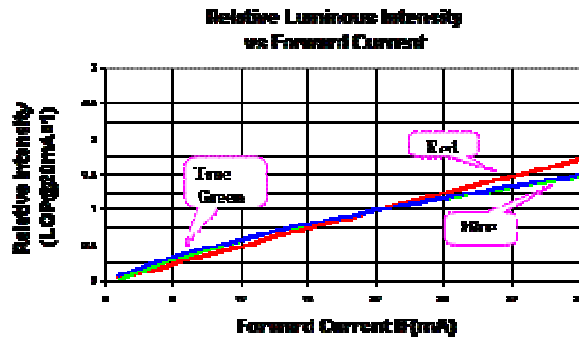
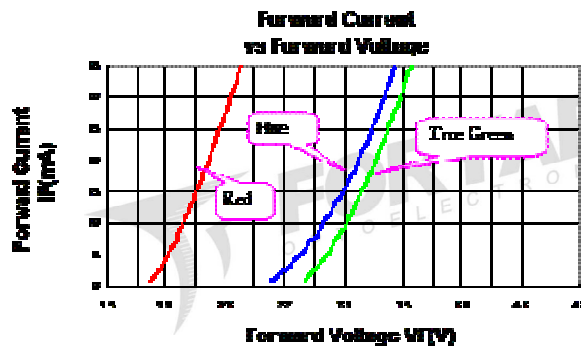
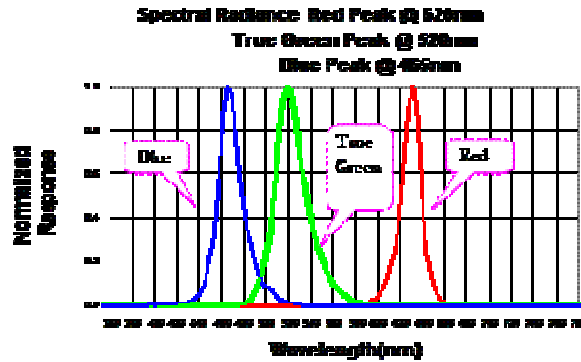
Parameter	Symbol	Colour	Min.	Typ.	Max.	Unit	Test Condition
Luminous Intensity	$I_v$	UR	2200	4500	---	mcd	IF=20mA
		PG	2200	4900	---		
		UB	1000	2200	---		
Viewing Angle	$2\theta_{1/2}$	UR	---	30	---	Deg	
		PG		30			
		UB	---	30	--		
Peak Emission Wavelength	$\lambda_p$	UR	623	628	633	nm	
		PG	515	520	525		
		UB	460	465	470		
Dominant Wavelength	$\lambda_d$	UR	620	625	630	nm	
		PG	520	525	530		
		UB	465	470	475		
Spectral Line Half-Width	$\Delta\lambda$	UR	---	20	--	nm	
		PG	---	35	---		
		UB	---	25	--		
Forward Voltage	$V_F$	UR	1.6	2.1	2.5	V	
		PG	2.6	3.0	3.8		
		UB	2.6	3.0	3.8		
Reverse Current	$I_R$		---	---	10	$\mu A$	VR=5V

Note:

- 1.Luminous Intensity is based on the Foryard standards.
- 2.Pay attention about static for InGaN

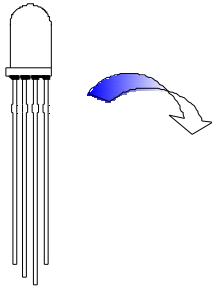
Model No.: FYL-5019RGBC1C-CC

■ Typical Electrical/Optical Characteristics Curves(Ta=25°C Unless Otherwise Noted)

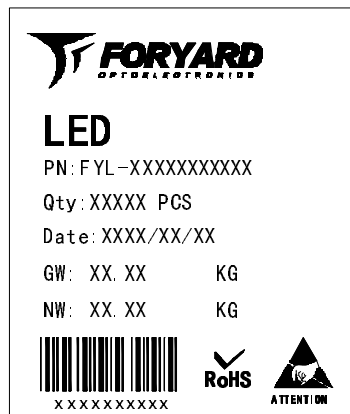
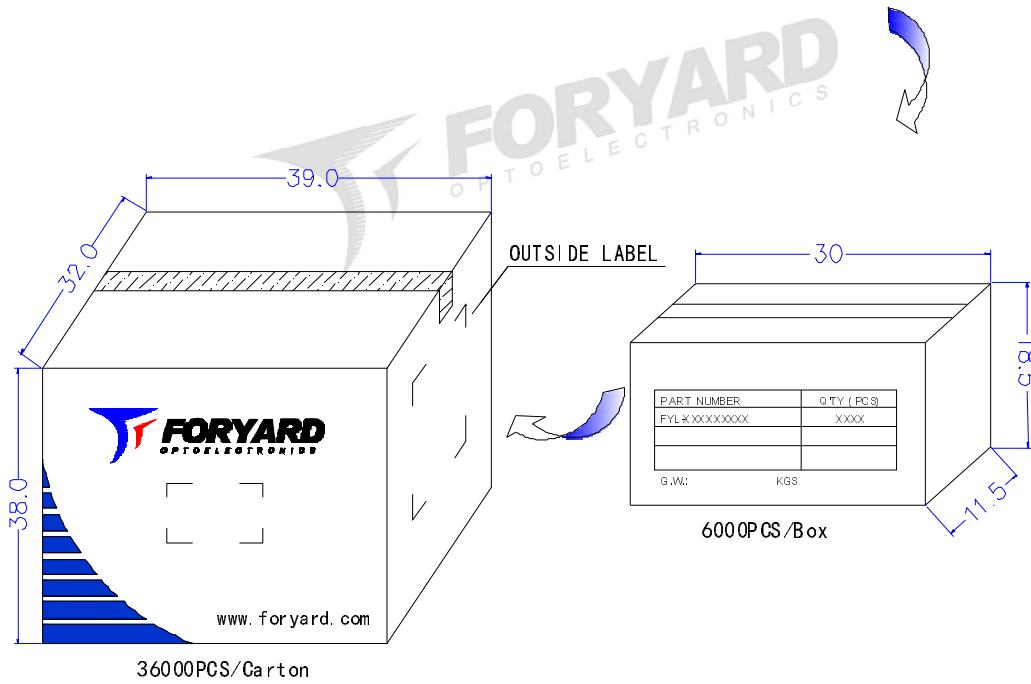


**Model No.: FYL-5019RGBC1C-CC**

**■ LAMP PACKING.**



5mm 500PCS/Polybag



OUTSIDE LABEL

Note: The specifications are subject to change without notice. Please contact us for updated information.