

# TC74ACT273P, TC74ACT273F, TC74ACT273FW

## Octal D-Type Flip Flop with Clear

The TC74ACT273 is an advanced high speed CMOS OCTAL D-TYPE FLIP FLOP fabricated with silicon gate and double-layer metal wiring C<sup>2</sup>MOS technology.

It achieves the high speed operation similar to equivalent Bipolar Schottky TTL while maintaining the CMOS low power dissipation.

This device may be used as a level converter for interfacing TTL or NMOS to High Speed CMOS. The inputs are compatible with TTL, NMOS and CMOS output voltage levels.

Information signals applied to D inputs are transferred to the Q outputs on the positive going edge of the clock pulse.

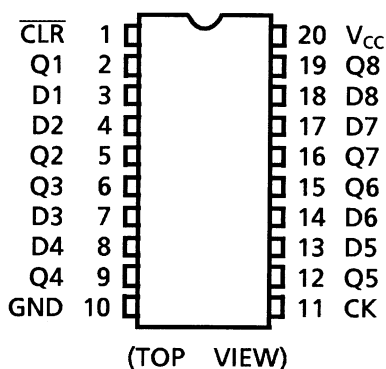
When the CLR input is held "L", the Q outputs are at a low logic level independent of the other inputs.

All inputs are equipped with protection circuits against static discharge or transient excess voltage.

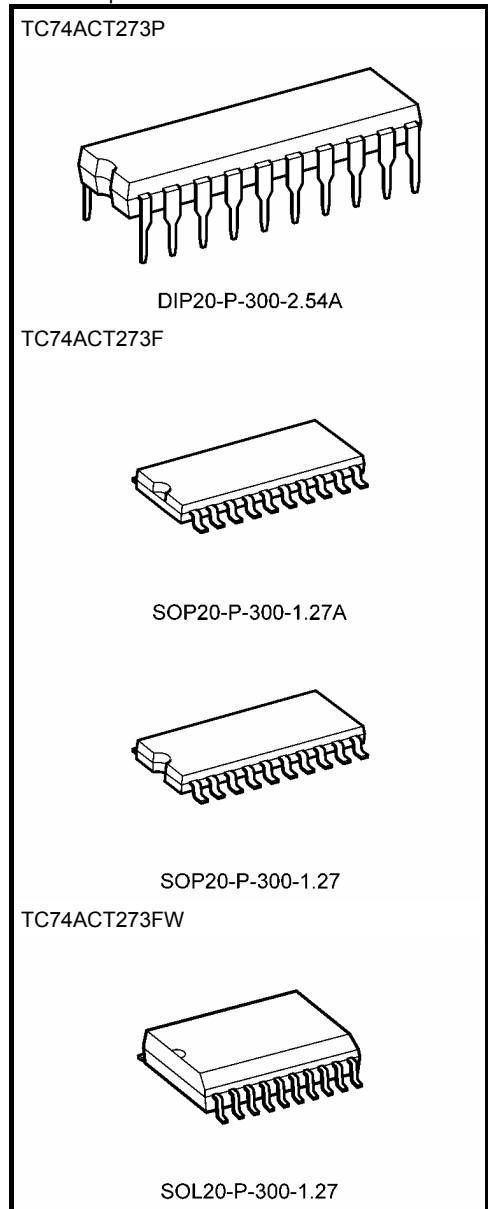
### Features

- High speed:  $f_{max} = 170$  MHz (typ.) at  $V_{CC} = 5$  V
- Low power dissipation:  $I_{CC} = 8$   $\mu$ A (max) at  $T_a = 25^\circ$ C
- Compatible with TTL outputs:  $V_{IL} = 0.8$  V (max)  
 $V_{IH} = 2.0$  V (min)
- Symmetrical output impedance:  $|I_{OH}| = I_{OL} = 24$  mA (min)  
Capability of driving 50  $\Omega$  transmission lines.
- Balanced propagation delays:  $t_{pLH} \approx t_{pHL}$
- Pin and function compatible with 74F273

### Pin Assignment

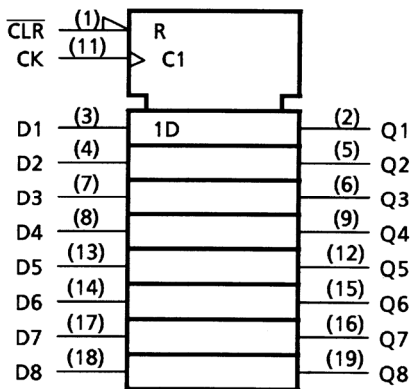


Note: xxxFW (JEDEC SOP) is not available in Japan.



Weight	
DIP20-P-300-2.54A	: 1.30 g (typ.)
SOP20-P-300-1.27A	: 0.22 g (typ.)
SOP20-P-300-1.27	: 0.22 g (typ.)
SOL20-P-300-1.27	: 0.46 g (typ.)

## IEC Logic Symbol

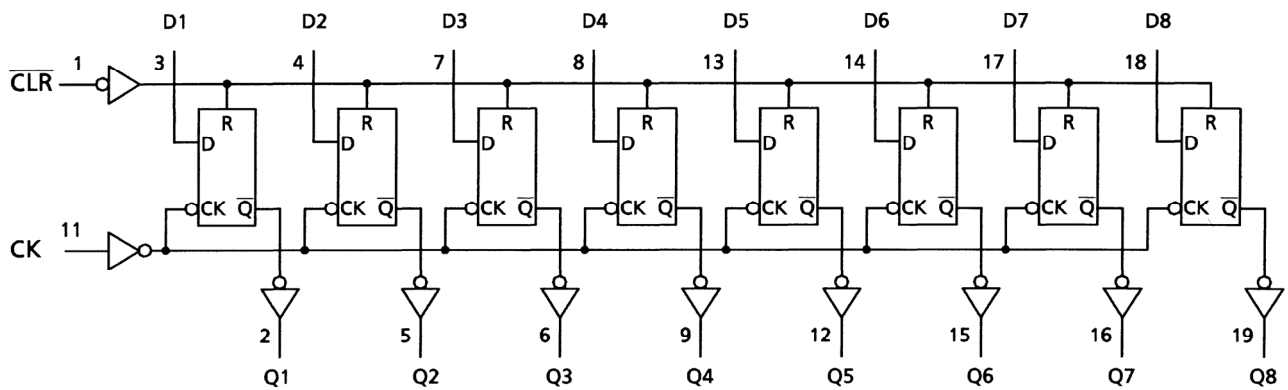


## Truth Table

Inputs			Output	Function
$\overline{\text{CLR}}$	D	CK	Q	
L	X	X	L	Clear
H	L		L	—
H	H		H	—
H	X		$Q_n$	No Change

X: Don't care

## System Diagram



## Absolute Maximum Ratings (Note 1)

Characteristics	Symbol	Rating	Unit
Supply voltage range	$V_{CC}$	-0.5 to 7.0	V
DC input voltage	$V_{IN}$	-0.5 to $V_{CC} + 0.5$	V
DC output voltage	$V_{OUT}$	-0.5 to $V_{CC} + 0.5$	V
Input diode current	$I_{IK}$	$\pm 20$	mA
Output diode current	$I_{OK}$	$\pm 50$	mA
DC output current	$I_{OUT}$	$\pm 50$	mA
DC $V_{CC}$ /ground current	$I_{CC}$	$\pm 200$	mA
Power dissipation	$P_D$	500 (DIP) (Note 2)/180 (SOP)	mW
Storage temperature	$T_{stg}$	-65 to 150	$^{\circ}C$

Note1: Exceeding any of the absolute maximum ratings, even briefly, lead to deterioration in IC performance or even destruction.

Note2: 500 mW in the range of  $T_a = -40$  to  $65^{\circ}C$ . From  $T_a = 65$  to  $85^{\circ}C$  a derating factor of  $-10$  mW/ $^{\circ}C$  should be applied up to 300 mW.

## Recommended Operating Conditions (Note)

Characteristics	Symbol	Rating	Unit
Supply voltage	$V_{CC}$	4.5 to 5.5	V
Input voltage	$V_{IN}$	0 to $V_{CC}$	V
Output voltage	$V_{OUT}$	0 to $V_{CC}$	V
Operating temperature	$T_{opr}$	-40 to 85	$^{\circ}C$
Input rise and fall time	dt/dV	0 to 10	ns/V

Note: The recommended operating conditions are required to ensure the normal operation of the device. Unused inputs must be tied to either VCC or GND.

## Electrical Characteristics

### DC Characteristics

Characteristics	Symbol	Test Condition		Ta = 25°C			Ta = -40 to 85°C		Unit	
				V <sub>CC</sub> (V)	Min	Typ.	Max	Min		Max
High-level input voltage	V <sub>IH</sub>	—		4.5 to 5.5	2.0	—	—	2.0	—	V
Low-level input voltage	V <sub>IL</sub>	—		4.5 to 5.5	—	—	0.8	—	0.8	V
High-level output voltage	V <sub>OH</sub>	V <sub>IN</sub> = V <sub>IH</sub> or V <sub>IL</sub>	I <sub>OH</sub> = -50 μA	4.5	4.4	4.5	—	4.4	—	V
			I <sub>OH</sub> = -24 mA	4.5	3.94	—	—	3.80	—	
			I <sub>OH</sub> = -75 mA (Note)	5.5	—	—	—	3.85	—	
Low-level output voltage	V <sub>OL</sub>	V <sub>IN</sub> = V <sub>IH</sub> or V <sub>IL</sub>	I <sub>OL</sub> = 50 μA	4.5	—	0.0	0.1	—	0.1	V
			I <sub>OL</sub> = 24 mA	4.5	—	—	0.36	—	0.44	
			I <sub>OL</sub> = 75 mA (Note)	5.5	—	—	—	—	1.65	
Input leakage current	I <sub>IN</sub>	V <sub>IN</sub> = V <sub>CC</sub> or GND		5.5	—	—	±0.1	—	±1.0	μA
Quiescent supply current	I <sub>CC</sub>	V <sub>IN</sub> = V <sub>CC</sub> or GND		5.5	—	—	8.0	—	80.0	μA
	I <sub>C</sub>	Per input: V <sub>IN</sub> = 3.4 V Other input: V <sub>CC</sub> or GND		5.5	—	—	1.35	—	1.5	mA

Note: This spec indicates the capability of driving 50 Ω transmission lines.

One output should be tested at a time for a 10 ms maximum duration.

### Timing Requirements (input: t<sub>r</sub> = t<sub>f</sub> = 3 ns)

Characteristics	Symbol	Test Condition		Ta = 25°C	Ta = -40 to 85°C	Unit
				V <sub>CC</sub> (V)	Limit	
Minimum pulse width (CK)	t <sub>W</sub> (L)	—		5.0 ± 0.5	5.0	5.0
	t <sub>W</sub> (H)	—				
Minimum pulse width (CLR)	t <sub>W</sub> (L)	—		5.0 ± 0.5	5.0	5.0
Minimum set-up time	t <sub>s</sub>	—		5.0 ± 0.5	3.5	3.5
Minimum hold time	t <sub>h</sub>	—		5.0 ± 0.5	1.5	1.5
Minimum removal time (CLR)	t <sub>rem</sub>	—		5.0 ± 0.5	3.0	3.0

### AC Characteristics ( $C_L = 50 \text{ pF}$ , $R_L = 500 \text{ } \Omega$ , input: $t_r = t_f = 3 \text{ ns}$ )

Characteristics	Symbol	Test Condition	Ta = 25°C			Ta = -40 to 85°C		Unit	
			VCC (V)	Min	Typ.	Max	Min		Max
Propagation delay time (CK-Q)	$t_{pLH}$ $t_{pHL}$	—	$5.0 \pm 0.5$	—	6.6	10.5	1.0	12.0	ns
Propagation delay time ( $\overline{\text{CLR}}$ -Q)	$t_{pHL}$	—	$5.0 \pm 0.5$	—	7.4	10.8	1.0	12.3	ns
Maximum clock frequency	$f_{\text{max}}$	—	$5.0 \pm 0.5$	80	150	—	80	—	MHz
Input capacitance	$C_{\text{IN}}$	—	—	—	5	10	—	10	pF
Power dissipation capacitance	$C_{\text{PD}}$ (Note)	—	—	—	34	—	—	—	pF

Note:  $C_{\text{PD}}$  is defined as the value of the internal equivalent capacitance which is calculated from the operating current consumption without load.

Average operating current can be obtained by the equation:

$$I_{\text{CC}}(\text{opr}) = C_{\text{PD}} \cdot V_{\text{CC}} \cdot f_{\text{IN}} + I_{\text{CC}}/8 \text{ (per F/F)}$$

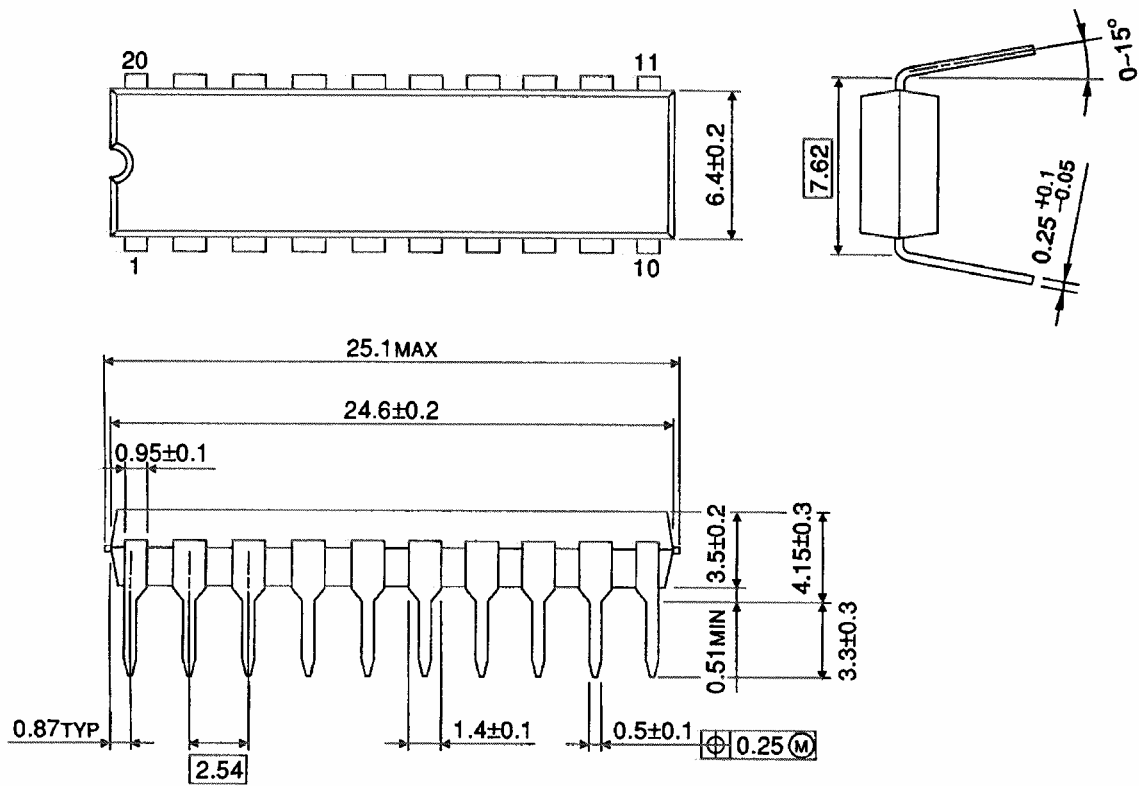
And the total  $C_{\text{PD}}$  when n pcs. of Flip Flop operate can be gained by the following equation.

$$C_{\text{PD}}(\text{total}) = 23 + 11 \cdot n$$

## Package Dimensions

DIP20-P-300-2.54A

Unit : mm



Weight: 1.30 g (typ.)

## Package Dimensions

SOP20-P-300-1.27A

Unit: mm

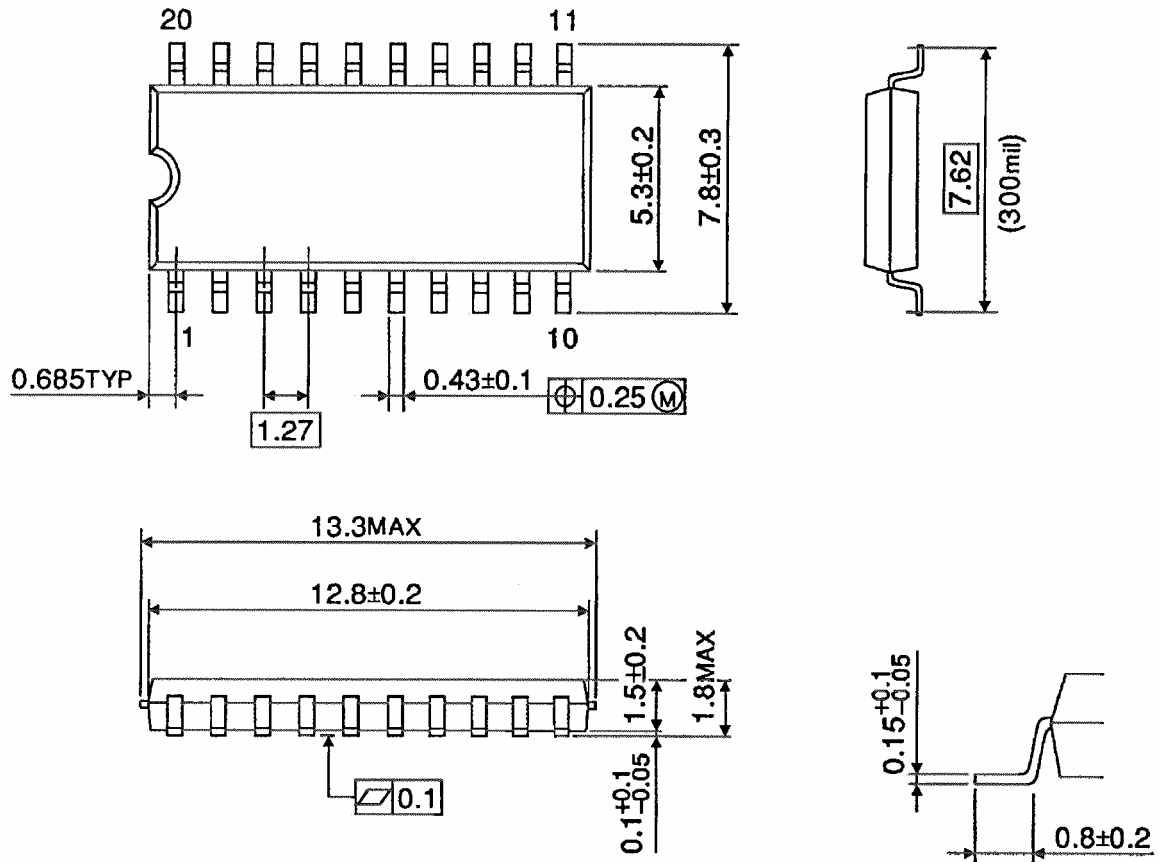


Weight: 0.22 g (typ.)

## Package Dimensions

SOP20-P-300-1.27

Unit : mm



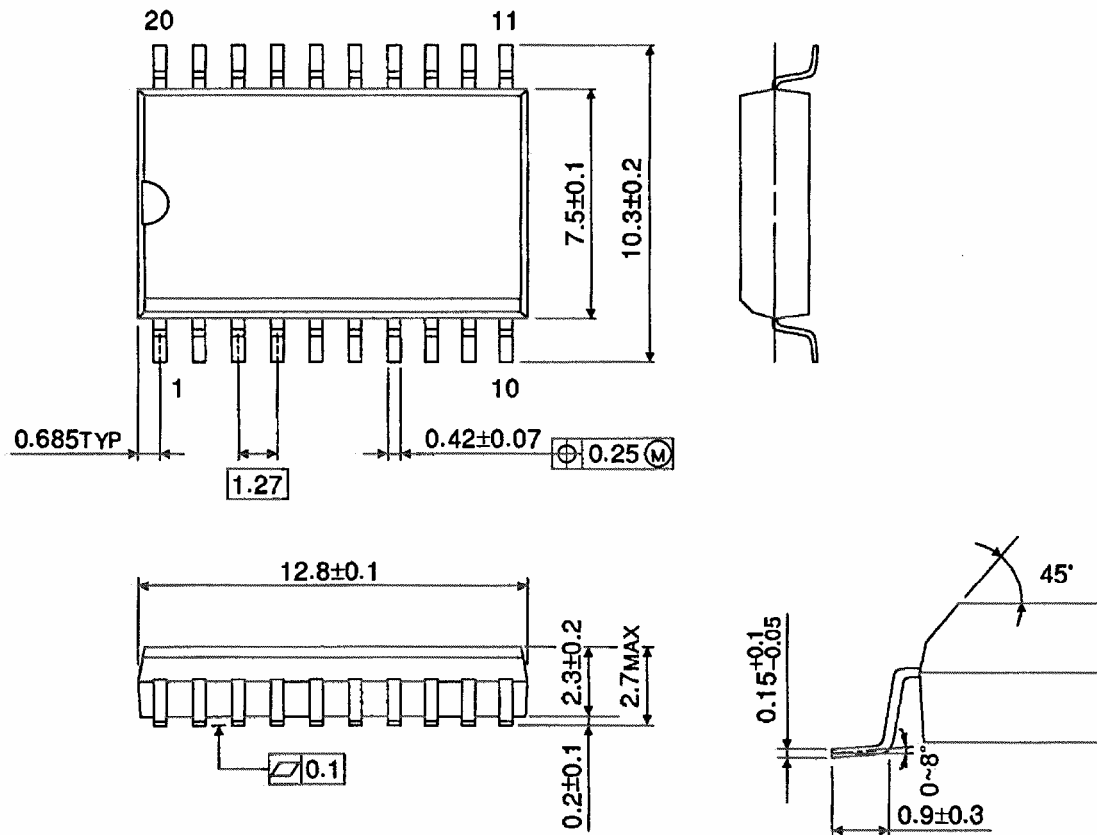
Weight: 0.22 g (typ.)



## Package Dimensions (Note)

SOL20-P-300-1.27

Unit : mm



Note: This package is not available in Japan.

Weight: 0.46 g (typ.)

**Note: Lead (Pb)-Free Packages****DIP20-P-300-2.54A SOP20-P-300-1.27A****RESTRICTIONS ON PRODUCT USE**

20070701-EN

- The information contained herein is subject to change without notice.
- TOSHIBA is continually working to improve the quality and reliability of its products. Nevertheless, semiconductor devices in general can malfunction or fail due to their inherent electrical sensitivity and vulnerability to physical stress. It is the responsibility of the buyer, when utilizing TOSHIBA products, to comply with the standards of safety in making a safe design for the entire system, and to avoid situations in which a malfunction or failure of such TOSHIBA products could cause loss of human life, bodily injury or damage to property.  
In developing your designs, please ensure that TOSHIBA products are used within specified operating ranges as set forth in the most recent TOSHIBA products specifications. Also, please keep in mind the precautions and conditions set forth in the "Handling Guide for Semiconductor Devices," or "TOSHIBA Semiconductor Reliability Handbook" etc.
- The TOSHIBA products listed in this document are intended for usage in general electronics applications (computer, personal equipment, office equipment, measuring equipment, industrial robotics, domestic appliances, etc.). These TOSHIBA products are neither intended nor warranted for usage in equipment that requires extraordinarily high quality and/or reliability or a malfunction or failure of which may cause loss of human life or bodily injury ("Unintended Usage"). Unintended Usage include atomic energy control instruments, airplane or spaceship instruments, transportation instruments, traffic signal instruments, combustion control instruments, medical instruments, all types of safety devices, etc.. Unintended Usage of TOSHIBA products listed in this document shall be made at the customer's own risk.
- The products described in this document shall not be used or embedded to any downstream products of which manufacture, use and/or sale are prohibited under any applicable laws and regulations.
- The information contained herein is presented only as a guide for the applications of our products. No responsibility is assumed by TOSHIBA for any infringements of patents or other rights of the third parties which may result from its use. No license is granted by implication or otherwise under any patents or other rights of TOSHIBA or the third parties.
- Please contact your sales representative for product-by-product details in this document regarding RoHS compatibility. Please use these products in this document in compliance with all applicable laws and regulations that regulate the inclusion or use of controlled substances. Toshiba assumes no liability for damage or losses occurring as a result of noncompliance with applicable laws and regulations.