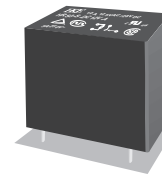


HRS3(H) Relay



HRS3(H) Relay

1.COIL DATA

1-1.Nominal Voltage	3 to 24VDC
1-2.Coil Resistance	Refer to Table 1
1-3.Operate Voltage	Refer to Table 1
1-4.Release Voltage	Refer to Table 1
1-5.Nominal Power Consumption	200 to 450 mW

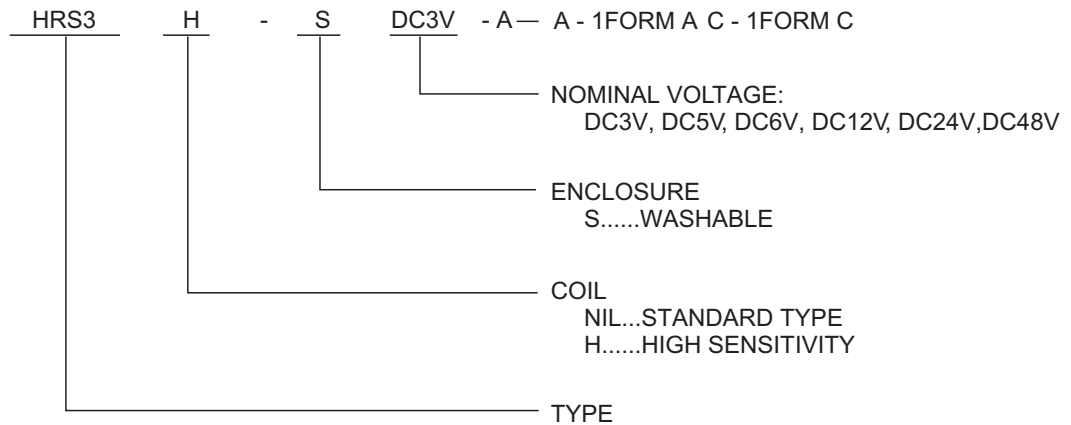
2.CONTACT DATA

2-1.Contact Arrangement	1 Form A, 1 Form C (450mW only)
2-2.Contact Material	Ag Alloy
2-3.Contact Rating	1A:10A 125VAC/28VDC, 5A:250VAC/28VDC 1C:NO/NC:5A/3A 250VAC/28VDC
2-4.Max.Switching Voltage	30VDC/250VAC
2-5.Max.Switching Current	10A
2-6.Max.Switching Power	1,250VA,280W
2-7.Contact Resistance(Initial)	100m Ω . at 6VDC 1A
2-8.Life Expectancy	
Electrical	100,000 operations at 5A/3A 250VAC
Mechanical	10,000,000 operations

3.GENERAL DATA

3-1.Insulation Resistance	Min.1,000M Ω .at 500VDC
3-2.Dielectric Strength	1,000VAC for 1 min between open contacts 3,500VAC for 1 min between contacts and coil
3-3.Operate Time	Max.10ms
3-4.Release Time	Max.5ms
3-5.Temperature Range	-40 to +85°C
3-6.Shock Resistance	
Endurance	1000 m/S ² (100G)
Misoperation	100m/S ² (10G)
3-7.Vibration Resistance	
Endurance	10 -55Hz, 1.5mm Double Amplitude
Misoperation	10 -55Hz, 1.5mm Double Amplitude
3-8.Heating	80 \pm 2°C 96hs
3-9.Cold	-40 \pm 2°C 96hs
3-10.Humidity	85%RH
3-11.Weight	9gr.
3-12.Safety Standard	UL NO.E164730 TUV NO.2133959 CSA NO.LR109368 CQC NO.02001001300

4. ORDERING CODE



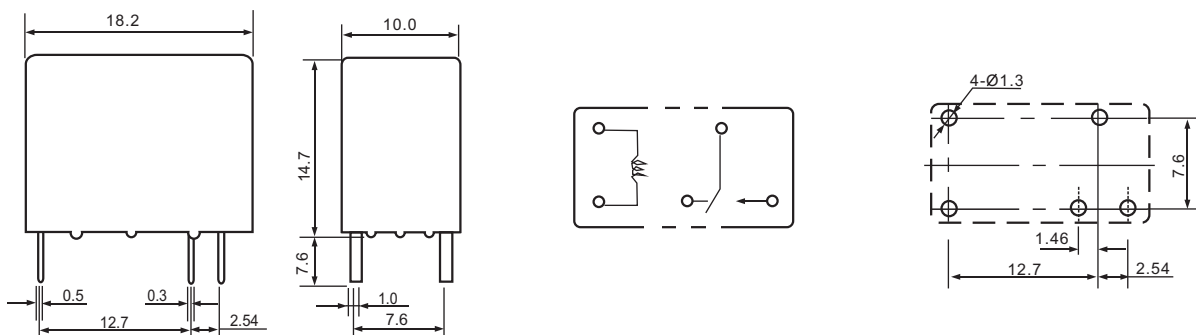
5. COIL DATA CHART

at 20°C

ORDERING CODE	COIL VOLTAGE VDC	COIL RESISTANCE $\pm 10\%$	OPERATE VOLTAGE VDC	RELEASE VOLTAGE VDC	POWER CONSUMPTION mW
HRS3-S- DC 3V	3	20	2.25	0.15	450
HRS3-S- DC 5V	5	55	3.75	0.25	
HRS3-S- DC 6V	6	80	4.55	0.30	
HRS3-S- DC 9V	9	180	6.75	0.45	
HRS3-S- DC 12V	12	320	9.10	0.60	
HRS3-S- DC 24V	24	1280	18.20	1.20	
HRS3H-S- DC 3V	3	45	2.25	0.15	200
HRS3H-S-DC 5V	5	125	3.75	0.25	
HRS3H-S- DC 6V	6	180	4.55	0.30	
HRS3H-S- DC 9V	9	400	6.75	0.45	
HRS3H-S- DC 12V	12	720	9.10	0.60	
HRS3H-S-DC 24V	24	2800	18.00	1.20	

Table 1

6. DIMENSIONS (in mm)



7.HRS3(H) CHARACTERISTIC DATA

