

SMD POWER INDUCTOR

JCDRH SERIES



**FEATURES/APPLICATOINS**

- .Carrier tape packing use for SMT
- .High rated current & Low DCR,Quadrate;Width:6.2mm~12mm,Height:3mm~8mm.
- .Magnetically shielded construction
- .Suitable for reflow SMT craft soldering
- .Lead free products, RoHS compliant
- .Widely use in Digital products & Scanner/DC-DC converter/Power supply for VTP/LCD monitor/portable terminal equipment/Telecommunications/Notebook and PC Peripheral equipments etc

## PRODUCT INDICATION

**JCDRH**      **127**      **—**      **220**      **M**  
①                      ②                                      ③                      ④

- ① Product type: JCDRH type
- ② External dimension: Quadrate, 12 for Width 12.0mm  
7 for Height 7.0mm
- ③ Electrical code: 220 for 22 $\mu$ H
- ④ Tolerance: K for  $\pm 10\%$ ; M for  $\pm 20\%$

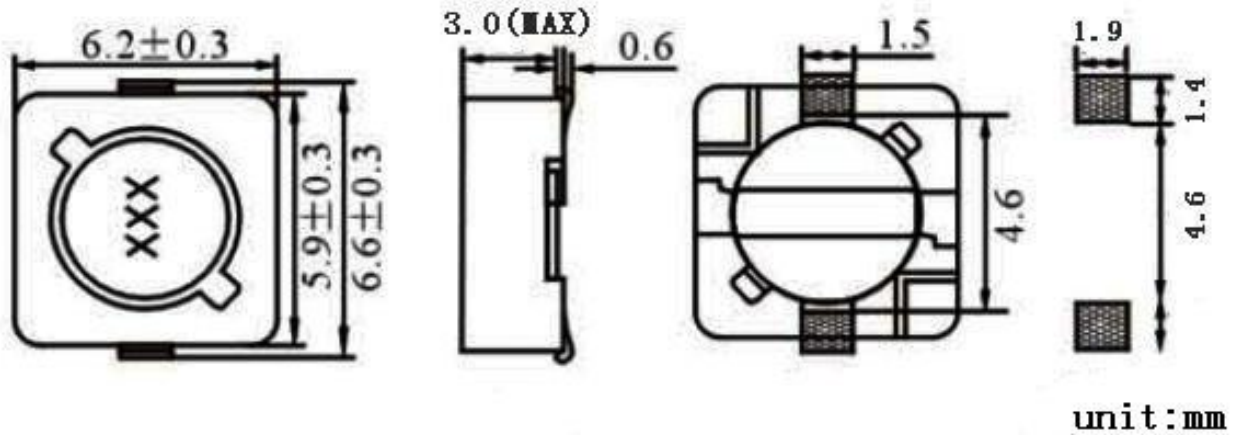
### Page

<b>JCDRH62.....</b>	<b>3</b>
<b>JCDRH64.....</b>	<b>4</b>
<b>JCDRH73.....</b>	<b>6</b>
<b>JCDRH74.....</b>	<b>7</b>
<b>JCDRH124.....</b>	<b>9</b>
<b>JCDRH125.....</b>	<b>10</b>
<b>JCDRH127.....</b>	<b>12</b>

- Inductance instrument: HP4286A/CH1062A or LCR Meter equivalent.
- Inductance testing condition: 100KHz/1KHz.
- DCR instrument: TH2512B or DCR test equipment equivalent .
- Rated Current test: VR7210&VR113H.
- Rated Current definition: Inductance drop by 25% or temperature rise by 40°C , the lesser of the minimum as the rated current.
- Temperature storage range: -25°C~80°C; the relative humidity: RH65%~85%.

# JCDRH62

## SHAPE AND DIMENSIONS



## Electrical Characteristics JCDRH62 Series

Part NO	Test Condition	Inductance(μH)	Tolerance(%)	DC Resistance(Ω)Max	Rated Current(A)Max
JCDRH62-2R9N	100KHz/0.1V	2.9	±30	0.07	1.94
JCDRH62-4R0N	100KHz/0.1V	4	±30	0.08	1.63
JCDRH62-5R5N	100KHz/0.1V	5.5	±30	0.1	1.4
JCDRH62-100M	100KHz/0.1V	10	±20	0.15	1.1
JCDRH62-120M	100KHz/0.1V	12	±20	0.2	1
JCDRH62-150M	100KHz/0.1V	15	±20	0.23	0.9
JCDRH62-180M	100KHz/0.1V	18	±20	0.27	0.8
JCDRH62-220M	100KHz/0.1V	22	±20	0.34	0.74
JCDRH62-270M	100KHz/0.1V	27	±20	0.38	0.66
JCDRH62-330M	100KHz/0.1V	33	±20	0.45	0.59
JCDRH62-390M	100KHz/0.1V	39	±20	0.49	0.54
JCDRH62-470M	100KHz/0.1V	47	±20	0.69	0.5

Special inquiries besides the above common used types can be meet

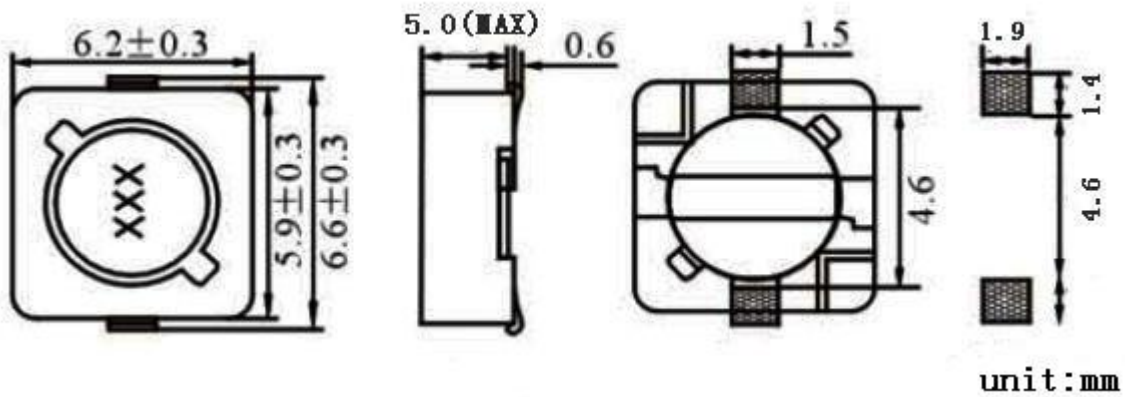
**Electrical Characteristics JCDRH62 Series**

Part NO	Test Condition	Inductance( $\mu$ H)	Tolerance(%)	DC Resistance( $\Omega$ )Max	Rated Current(A)Max
JCDRH62-560M	100KHz/0.1V	56	$\pm 20$	0.78	0.46
JCDRH62-680M	100KHz/0.1V	68	$\pm 20$	1.07	0.42
JCDRH62-820M	100KHz/0.1V	82	$\pm 20$	1.21	0.38
JCDRH62-101M	100KHz/0.1V	100	$\pm 20$	1.39	0.34
JCDRH62-121M	100KHz/0.1V	120	$\pm 20$	1.9	0.31
JCDRH62-151M	100KHz/0.1V	150	$\pm 20$	2.18	0.28
JCDRH62-181M	100KHz/0.1V	180	$\pm 20$	2.77	0.26
JCDRH62-221M	100KHz/0.1V	220	$\pm 20$	3.12	0.23
JCDRH62-271M	100KHz/0.1V	270	$\pm 20$	4.38	0.22
JCDRH62-331M	100KHz/0.1V	330	$\pm 20$	4.94	0.19

Special inquiries besides the above common used types can be meet

**JCDRH64**

**SHAPE AND DIMENSIONS**



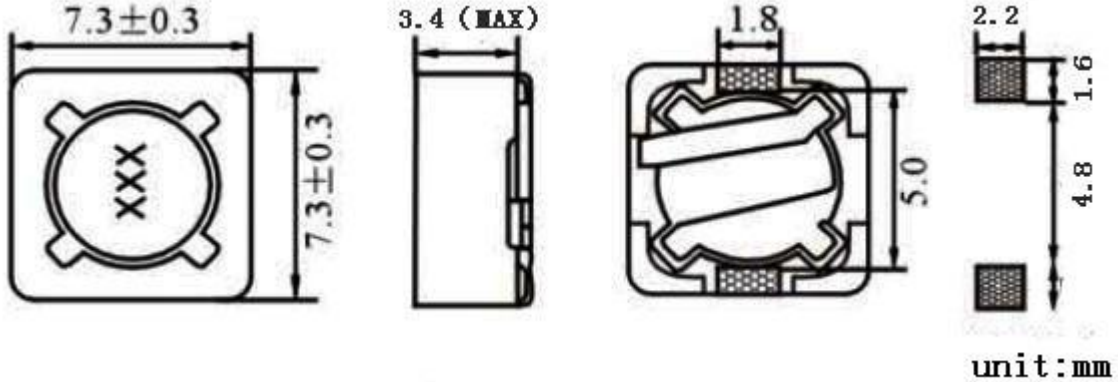
### Electrical Characteristics JCDRH64 Series

Part NO	Test Condition	Inductance( $\mu$ H)	Tolerance(%)	DC Resistance( $\Omega$ )Max	Rated Current(A)Max
JCDRH64-100M	100KHz/0.1V	10	$\pm 20$	0.12	1.35
JCDRH64-120M	100KHz/0.1V	12	$\pm 20$	0.13	1.22
JCDRH64-150M	100KHz/0.1V	15	$\pm 20$	0.18	1.11
JCDRH64-180M	100KHz/0.1V	18	$\pm 20$	0.24	1.02
JCDRH64-220M	100KHz/0.1V	22	$\pm 20$	0.27	0.91
JCDRH64-270M	100KHz/0.1V	27	$\pm 20$	0.3	0.82
JCDRH64-330M	100KHz/0.1V	33	$\pm 20$	0.33	0.74
JCDRH64-390M	100KHz/0.1V	39	$\pm 20$	0.37	0.69
JCDRH64-470M	100KHz/0.1V	47	$\pm 20$	0.52	0.62
JCDRH64-560M	100KHz/0.1V	56	$\pm 20$	0.56	0.58
JCDRH64-680M	100KHz/0.1V	68	$\pm 20$	0.63	0.51
JCDRH64-820M	100KHz/0.1V	82	$\pm 20$	0.71	0.46
JCDRH64-101M	100KHz/0.1V	100	$\pm 20$	1.03	0.42
JCDRH64-121M	100KHz/0.1V	120	$\pm 20$	1.15	0.38
JCDRH64-151M	100KHz/0.1V	150	$\pm 20$	1.68	0.35
JCDRH64-181M	100KHz/0.1V	180	$\pm 20$	1.87	0.32
JCDRH64-221M	100KHz/0.1V	220	$\pm 20$	2.08	0.29
JCDRH64-271M	100KHz/0.1V	270	$\pm 20$	2.37	0.26
JCDRH64-331M	100KHz/0.1V	330	$\pm 20$	2.67	0.23
JCDRH64-391M	100KHz/0.1V	390	$\pm 20$	2.94	0.22
JCDRH64-471M	100KHz/0.1V	470	$\pm 20$	3.39	0.2
JCDRH64-561M	100KHz/0.1V	560	$\pm 20$	5.43	0.18
JCDRH64-681M	100KHz/0.1V	680	$\pm 20$	7.32	0.17
JCDRH64-821M	100KHz/0.1V	820	$\pm 20$	8.24	0.15
JCDRH64-102M	100KHz/0.1V	1000	$\pm 20$	9.26	0.14

Special inquiries besides the above common used types can be meet

# JCDRH73

## SHAPE AND DIMENSIONS



## Electrical Characteristics JCDRH73 Series

Part NO	Test Condition	Inductance( $\mu$ H)	Tolerance(%)	DC Resistance( $\Omega$ )Max	Rated Current(A)Max
JCDRH73-100M	100KHz/0.1V	10	$\pm 20$	0.072	1.68
JCDRH73-120M	100KHz/0.1V	12	$\pm 20$	0.098	1.52
JCDRH73-150M	100KHz/0.1V	15	$\pm 20$	0.13	1.33
JCDRH73-180M	100KHz/0.1V	18	$\pm 20$	0.14	1.2
JCDRH73-220M	100KHz/0.1V	22	$\pm 20$	0.19	1.07
JCDRH73-270M	100KHz/0.1V	27	$\pm 20$	0.21	0.96
JCDRH73-330M	100KHz/0.1V	33	$\pm 20$	0.24	0.91
JCDRH73-390M	100KHz/0.1V	39	$\pm 20$	0.32	0.77
JCDRH73-470M	100KHz/0.1V	47	$\pm 20$	0.36	0.76
JCDRH73-560M	100KHz/0.1V	56	$\pm 20$	0.47	0.68
JCDRH73-680M	100KHz/0.1V	68	$\pm 20$	0.52	0.61
JCDRH73-820M	100KHz/0.1V	82	$\pm 20$	0.69	0.57
JCDRH73-101M	100KHz/0.1V	100	$\pm 20$	0.79	0.5
JCDRH73-121M	100KHz/0.1V	120	$\pm 20$	0.89	0.49
JCDRH73-151M	100KHz/0.1V	150	$\pm 20$	1.27	0.43
JCDRH73-181M	100KHz/0.1V	180	$\pm 20$	1.45	0.38

Special inquiries besides the above common used types can be meet

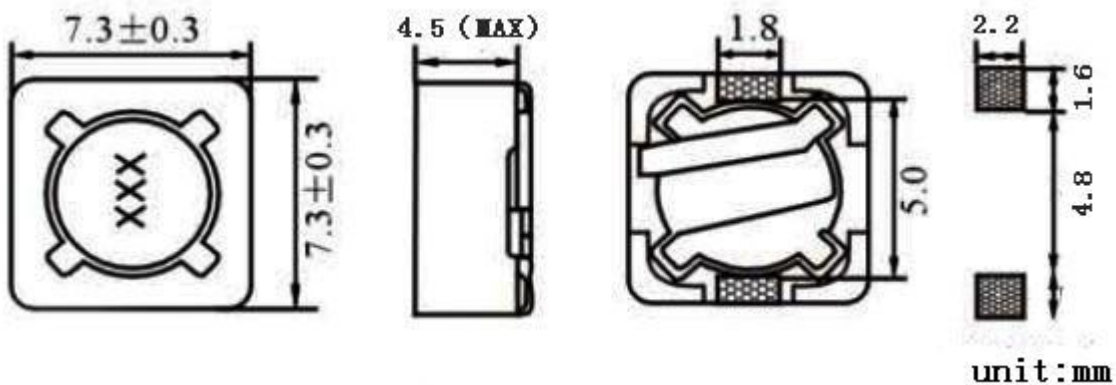
**Electrical Characteristics JCDRH73 Series**

Part NO	Test Condition	Inductance( $\mu$ H)	Tolerance(%)	DC Resistance( $\Omega$ )Max	Rated Current(A)Max
JCDRH73-221M	100KHz/0.1V	220	$\pm 20$	1.65	0.35
JCDRH73-271M	100KHz/0.1V	270	$\pm 20$	2.31	0.32
JCDRH73-331M	100KHz/0.1V	330	$\pm 20$	2.62	0.28
JCDRH73-391M	100KHz/0.1V	390	$\pm 20$	2.94	0.26
JCDRH73-471M	100KHz/0.1V	470	$\pm 20$	4.18	0.24
JCDRH73-561M	100KHz/0.1V	560	$\pm 20$	4.67	0.22
JCDRH73-681M	100KHz/0.1V	680	$\pm 20$	5.73	0.19
JCDRH73-821M	100KHz/0.1V	820	$\pm 20$	6.54	0.18
JCDRH73-102M	100KHz/0.1V	1000	$\pm 20$	9.44	0.16

Special inquiries besides the above common used types can be meet

**JCDRH74**

**SHAPE AND DIMENSIONS**



**Electrical Characteristics JCDRH74 Series**

Part NO	Test Condition	Inductance( $\mu$ H)	Tolerance(%)	DC Resistance( $\Omega$ )Max	Rated Current(A)Max
JCDRH74-100M	100KHz/0.1V	10	$\pm 20$	0.05	1.84
JCDRH74-120M	100KHz/0.1V	12	$\pm 20$	0.06	1.71

Special inquiries besides the above common used types can be meet

### Electrical Characteristics JCDRH74 Series

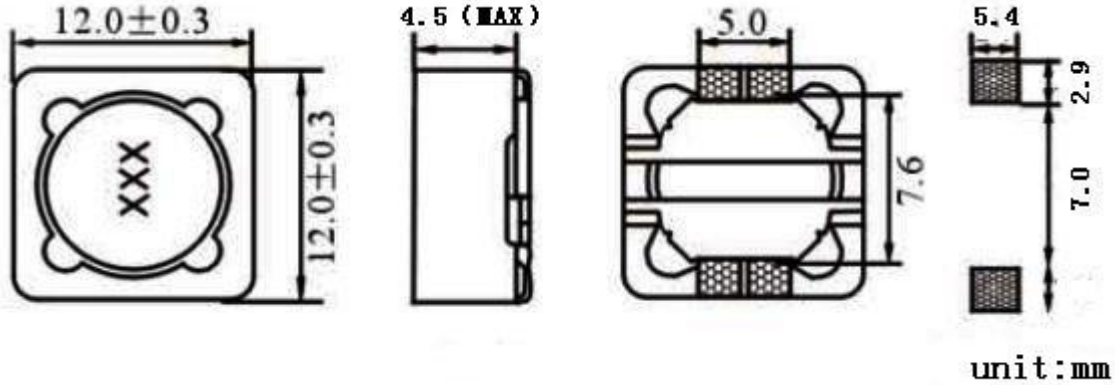
Part NO	Test Condition	Inductance( $\mu$ H)	Tolerance(%)	DC Resistance( $\Omega$ )Max	Rated Current(A)Max
JCDRH74-150M	100KHz/0.1V	15	$\pm 20$	0.08	1.47
JCDRH74-180M	100KHz/0.1V	18	$\pm 20$	0.09	1.31
JCDRH74-220M	100KHz/0.1V	22	$\pm 20$	0.11	1.23
JCDRH74-270M	100KHz/0.1V	27	$\pm 20$	0.15	1.12
JCDRH74-330M	100KHz/0.1V	33	$\pm 20$	0.17	0.96
JCDRH74-390M	100KHz/0.1V	39	$\pm 20$	0.23	0.91
JCDRH74-470M	100KHz/0.1V	47	$\pm 20$	0.26	0.88
JCDRH74-560M	100KHz/0.1V	56	$\pm 20$	0.35	0.75
JCDRH74-680M	100KHz/0.1V	68	$\pm 20$	0.38	0.69
JCDRH74-820M	100KHz/0.1V	82	$\pm 20$	0.43	0.61
JCDRH74-101M	100KHz/0.1V	100	$\pm 20$	0.61	0.6
JCDRH74-121M	100KHz/0.1V	120	$\pm 20$	0.66	0.52
JCDRH74-151M	100KHz/0.1V	150	$\pm 20$	0.88	0.46
JCDRH74-181M	100KHz/0.1V	180	$\pm 20$	0.98	0.42
JCDRH74-221M	100KHz/0.1V	220	$\pm 20$	1.17	0.36
JCDRH74-271M	100KHz/0.1V	270	$\pm 20$	1.64	0.34
JCDRH74-331M	100KHz/0.1V	330	$\pm 20$	1.86	0.32
JCDRH74-391M	100KHz/0.1V	390	$\pm 20$	2.85	0.29
JCDRH74-471M	100KHz/0.1V	470	$\pm 20$	3.01	0.26
JCDRH74-561M	100KHz/0.1V	560	$\pm 20$	3.62	0.23
JCDRH74-681M	100KHz/0.1V	680	$\pm 20$	1.63	0.22
JCDRH74-821M	100KHz/0.1V	820	$\pm 20$	5.2	0.2
JCDRH74-102M	100KHz/0.1V	1000	$\pm 20$	6r	0.18

Special inquiries besides the above common used types can be meet



# JCDRH124

## SHAPE AND DIMENSIONS



## Electrical Characteristics JCDRH124 Series

Part NO	Test Condition	Inductance(μH)	Tolerance(%)	DC Resistance(Ω)Max	Rated Current(A)Max
JCDRH124-3R9N	100KHz/0.1V	3.9	±30	0.015	6.5
JCDRH124-4R7N	100KHz/0.1V	4.7	±30	0.018	5.7
JCDRH124-6R8N	100KHz/0.1V	6.8	±30	0.023	4.9
JCDRH124-100M	100KHz/0.1V	10	±20	0.028	4.5
JCDRH124-120M	100KHz/0.1V	12	±20	0.038	4
JCDRH124-150M	100KHz/0.1V	15	±20	0.05	3.2
JCDRH124-180M	100KHz/0.1V	18	±20	0.057	3.1
JCDRH124-220M	100KHz/0.1V	22	±20	0.066	2.9
JCDRH124-270M	100KHz/0.1V	27	±20	0.08	2.8
JCDRH124-330M	100KHz/0.1V	33	±20	0.097	2.7
JCDRH124-390M	100KHz/0.1V	39	±20	0.132	2.1
JCDRH124-470M	100KHz/0.1V	47	±20	0.15	1.9
JCDRH124-560M	100KHz/0.1V	56	±20	0.19	1.8
JCDRH124-680M	100KHz/0.1V	68	±20	0.22	1.5
JCDRH124-820M	100KHz/0.1V	82	±20	0.26	1.3
JCDRH124-101M	100KHz/0.1V	100	±20	0.308	1.2
JCDRH124-121M	100KHz/0.1V	120	±20	0.38	1.1

Special inquiries besides the above common used types can be meet

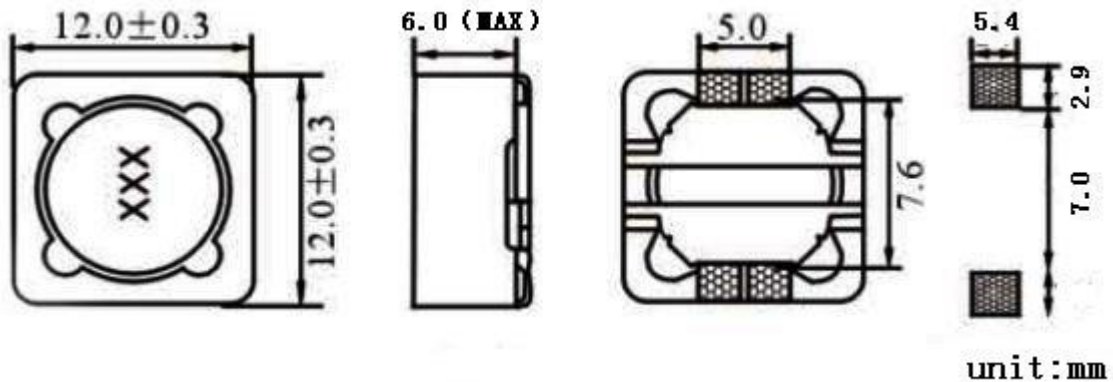
**Electrical Characteristics JCDRH124 Series**

Part NO	Test Condition	Inductance( $\mu$ H)	Tolerance(%)	DC Resistance( $\Omega$ )Max	Rated Current(A)Max
JCDRH124-151M	100KHz/0.1V	150	$\pm 20$	0.53	0.95
JCDRH124-181M	100KHz/0.1V	180	$\pm 20$	0.62	0.85
JCDRH124-221M	100KHz/0.1V	220	$\pm 20$	0.7	0.8
JCDRH124-271M	100KHz/0.1V	270	$\pm 20$	0.876	0.6
JCDRH124-331M	100KHz/0.1V	330	$\pm 20$	0.99	0.5

Special inquiries besides the above common used types can be meet

**JCDRH125**

**SHAPE AND DIMENSIONS**



**Electrical Characteristics JCDRH125 Series**

Part NO	Test Condition	Inductance( $\mu$ H)	Tolerance(%)	DC Resistance( $\Omega$ )Max	Rated Current(A)Max
JCDRH125-1R3N	100KHz/0.1V	1.3	$\pm 30$	0.012	8
JCDRH125-2R1N	100KHz/0.1V	2.1	$\pm 30$	0.014	7
JCDRH125-3R1N	100KHz/0.1V	3.1	$\pm 30$	0.017	6
JCDRH125-4R4N	100KHz/0.1V	4.4	$\pm 30$	0.02	5
JCDRH125-5R8N	100KHz/0.1V	5.8	$\pm 30$	0.021	4.4

Special inquiries besides the above common used types can be meet

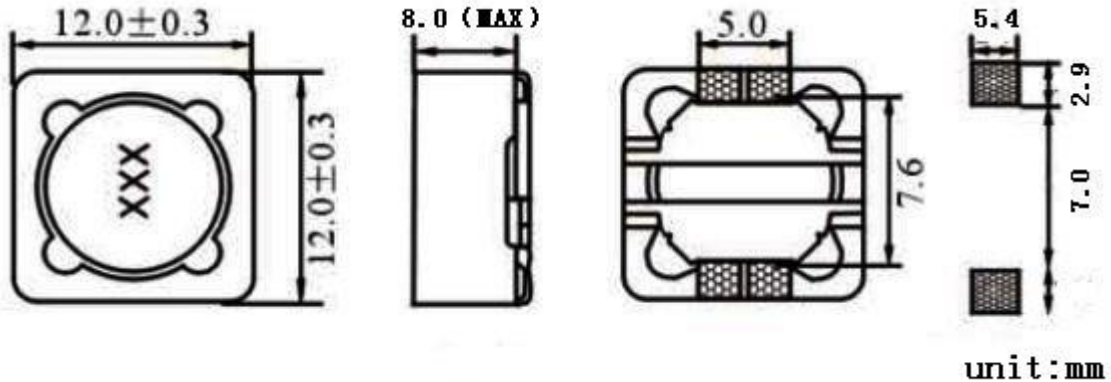
### Electrical Characteristics JCDRH125 Series

Part NO	Test Condition	Inductance( $\mu$ H)	Tolerance(%)	DC Resistance( $\Omega$ )Max	Rated Current(A)Max
JCDRH125-7R5N	100KHz/0.1V	7.5	$\pm$ 30	0.024	4.2
JCDRH125-100M	100KHz/0.1V	10	$\pm$ 20	0.025	4
JCDRH125-120M	100KHz/0.1V	12	$\pm$ 20	0.027	3.5
JCDRH125-150M	100KHz/0.1V	15	$\pm$ 20	0.03	3.3
JCDRH125-180M	100KHz/0.1V	18	$\pm$ 20	0.034	3
JCDRH125-220M	100KHz/0.1V	22	$\pm$ 20	0.036	2.8
JCDRH125-270M	100KHz/0.1V	27	$\pm$ 20	0.051	2.3
JCDRH125-330M	100KHz/0.1V	33	$\pm$ 20	0.057	2.1
JCDRH125-390M	100KHz/0.1V	39	$\pm$ 20	0.068	2
JCDRH125-470M	100KHz/0.1V	47	$\pm$ 20	0.075	1.8
JCDRH125-560M	100KHz/0.1V	56	$\pm$ 20	0.11	1.7
JCDRH125-680M	100KHz/0.1V	68	$\pm$ 20	0.12	1.5
JCDRH125-820M	100KHz/0.1V	82	$\pm$ 20	0.14	1.4
JCDRH125-101M	100KHz/0.1V	100	$\pm$ 20	0.16	1.3
JCDRH125-121M	100KHz/0.1V	120	$\pm$ 20	0.17	1.1
JCDRH125-151M	100KHz/0.1V	150	$\pm$ 20	0.23	1
JCDRH125-181M	100KHz/0.1V	180	$\pm$ 20	0.29	0.9
JCDRH125-221M	100KHz/0.1V	220	$\pm$ 20	0.4	0.8
JCDRH125-271M	100KHz/0.1V	270	$\pm$ 20	0.46	0.75
JCDRH125-331M	100KHz/0.1V	330	$\pm$ 20	0.51	0.68
JCDRH125-391M	100KHz/0.1V	390	$\pm$ 20	0.69	0.65
JCDRH125-471M	100KHz/0.1V	470	$\pm$ 20	0.77	0.58
JCDRH125-561M	100KHz/0.1V	560	$\pm$ 20	0.86	0.54
JCDRH125-681M	100KHz/0.1V	680	$\pm$ 20	1.2	0.48
JCDRH125-821M	100KHz/0.1V	820	$\pm$ 20	1.34	0.43
JCDRH125-102M	100KHz/0.1V	1000	$\pm$ 20	1.53	0.4

Special inquiries besides the above common used types can be meet

# JCDRH127

## SHAPE AND DIMENSIONS



## Electrical Characteristics JCDRH127 Series

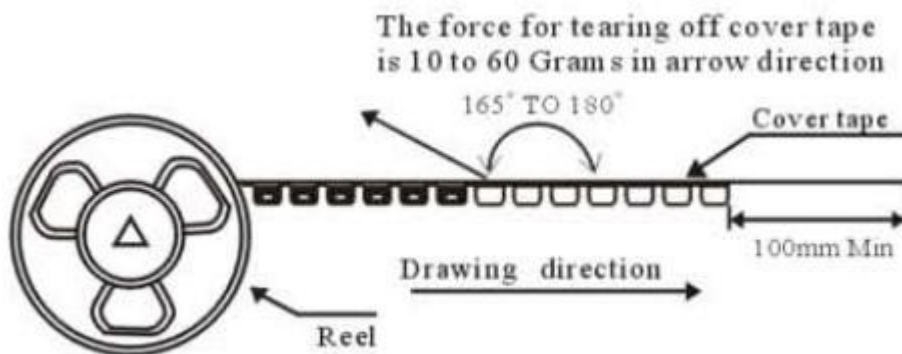
Part NO	Test Condition	Inductance(μH)	Tolerance(%)	DC Resistance(Ω)Max	Rated Current(A)Max
JCDRH127-1R2N	100KHz/0.1V	1.2	±30	0.007	9.8
JCDRH127-2R4N	100KHz/0.1V	2.4	±30	0.012	8
JCDRH127-3R5N	100KHz/0.1V	3.5	±30	0.014	7.5
JCDRH127-4R7N	100KHz/0.1V	4.7	±30	0.016	6.8
JCDRH127-6R1N	100KHz/0.1V	6.1	±30	0.018	6.6
JCDRH127-7R6N	100KHz/0.1V	7.6	±30	0.02	5.9
JCDRH127-100M	100KHz/0.1V	10	±20	0.022	5.4
JCDRH127-120M	100KHz/0.1V	12	±20	0.025	4.9
JCDRH127-150M	100KHz/0.1V	15	±20	0.027	4.5
JCDRH127-180M	100KHz/0.1V	18	±20	0.039	3.9
JCDRH127-220M	100KHz/0.1V	22	±20	0.043	3.6
JCDRH127-270M	100KHz/0.1V	27	±20	0.046	3.4
JCDRH127-330M	100KHz/0.1V	33	±20	0.065	3
JCDRH127-390M	100KHz/0.1V	39	±20	0.073	2.75
JCDRH127-470M	100KHz/0.1V	47	±20	0.1	2.5
JCDRH127-560M	100KHz/0.1V	56	±20	0.11	2.35
JCDRH127-680M	100KHz/0.1V	68	±20	0.14	2.1

Special inquiries besides the above common used types can be meet

### Electrical Characteristics JCDRH127 Series

Part NO	Test Condition	Inductance( $\mu$ H)	Tolerance(%)	DC Resistance( $\Omega$ )Max	Rated Current(A)Max
JCDRH127-820M	100KHz/0.1V	82	$\pm 20$	0.16	1.95
JCDRH127-101M	100KHz/0.1V	100	$\pm 20$	0.22	1.7
JCDRH127-121M	100KHz/0.1V	120	$\pm 20$	0.25	1.6
JCDRH127-151M	100KHz/0.1V	150	$\pm 20$	0.28	1.42
JCDRH127-181M	100KHz/0.1V	180	$\pm 20$	0.35	1.3
JCDRH127-221M	100KHz/0.1V	220	$\pm 20$	0.39	1.16
JCDRH127-271M	100KHz/0.1V	270	$\pm 20$	0.56	1.06
JCDRH127-331M	100KHz/0.1V	330	$\pm 20$	0.64	0.95
JCDRH127-391M	100KHz/0.1V	390	$\pm 20$	0.7	0.88
JCDRH127-471M	100KHz/0.1V	470	$\pm 20$	0.98	0.79
JCDRH127-561M	100KHz/0.1V	560	$\pm 20$	1.07	0.73
JCDRH127-681M	100KHz/0.1V	680	$\pm 20$	1.46	0.67
JCDRH127-821M	100KHz/0.1V	820	$\pm 20$	0.64	0.6
JCDRH127-102M	100KHz/0.1V	1000	$\pm 20$	1.82	0.55

Special inquiries besides the above common used types can be meet



TYPE	QUANTITIES PCS/reel	TYPE	QUANTITIES PCS/reel
JCDRH62	1500	JCDRH124	500
JCDRH64	1000	JCDRH125	500
JCDRH73	1000	JCDRH127	500
JCDRH74	1000	XXX	XXX