

HL-AF-5060H203BC-3-B

Features

- Extremely wide viewing angle
- Suitable for all SMT assembly and solder process
- Available on tape and reel
- Moisture sensitivity level: Level 4
- Package: 1000pcs/reel
- RoHS compliant

Description

The Blue source color devices are made with InGaN on Substrate Light Emitting Diode

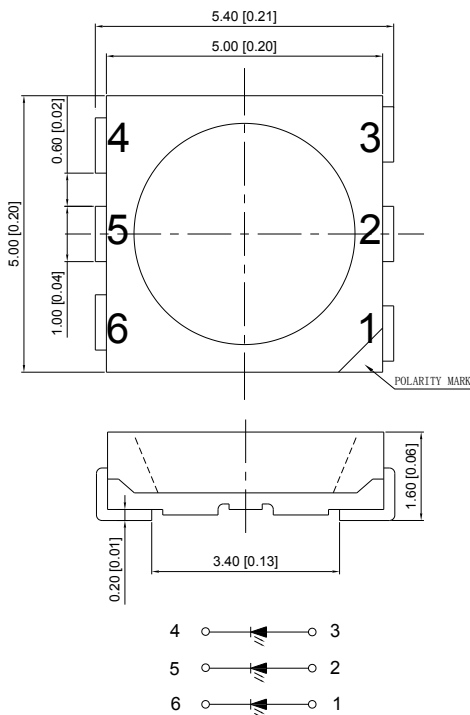
Applications

- Optical indicator
- Indoor display
- Interior automotive lighting
- Backlight for LCD, switch and Symbol, display
- Light pipe application
- General use

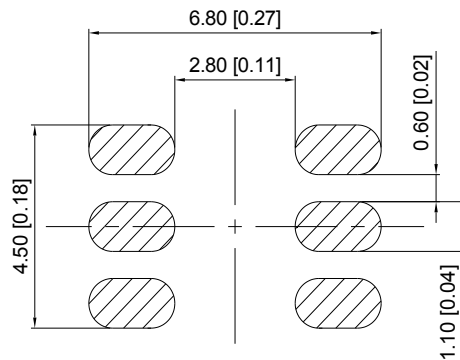


ATTENTION
OBSERVE PRECAUTIONS
FOR HANDLING
ELECTROSTATIC
DISCHARGE
SENSITIVE
DEVICES

Package Dimensions



Recommended Soldering Pattern



Notes:

1. All dimension units are millimeters.
2. All dimension tolerance is ± 0.15 mm unless otherwise noted.



HL-AF-5060H203BC-3-B

Selection Guide

Part No.	Dice	Lens Type	Luminous intensity(mcd) @ 20mA*3		Viewing Angle
			Min.	Max.	2θ1/2
HL-AF-5060H203BC-3-B	Blue (InGaN)	Water Clear	460	600	120°
			600	780	
			780	1000	

Note:

1. θ1/2 is the angle from optical centerline where the luminous intensity is 1/2 the optical centerline value.
2. the above luminous intensity measurement allowance tolerance ±10%.

Electrical / Optical Characteristics at Ta=25°C

Parameter	Symbol	Min.	Typ.	Max	Units	Test Conditions
Forward Voltage	V _F	2.8	--	3.4	V	I _F =20mA *3
Reverse Current	I _R	--	--	10	uA	V _R = 5V
Dominate Wavelength	λ _d	464	--	474	nm	I _F =20mA *3

Absolute Maximum Ratings at Ta=25°C

Parameter	White	Units
Power dissipation	315	mW
DC Forward Current per chip	30	mA
Peak Forward Current [1]	300	mA
Reverse Voltage	5	V
Electrostatic Discharge (HBM)	1000	V
Operating Temperature	-40 ~ +85	°C
Storage Temperature	-40 ~ +100	°C

Note:

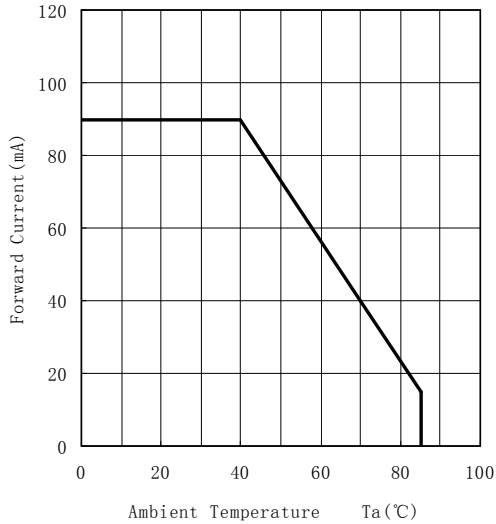
1. 1/10 Duty Cycle, 0.1ms Pulse Width.
2. The above forward voltage measurement allowance tolerance ±0.1V



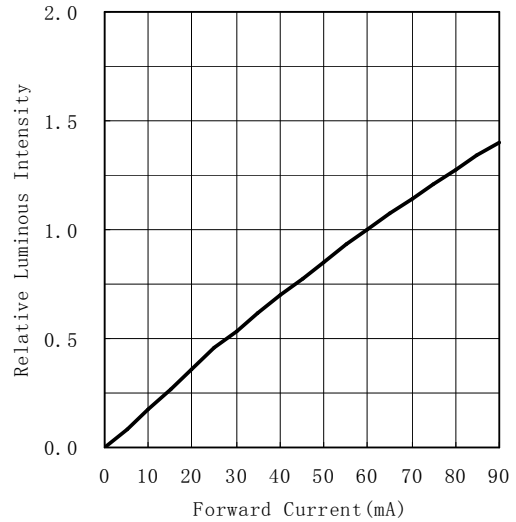
HL-AF-5060H203BC-3-B

Typical optical characteristics curves

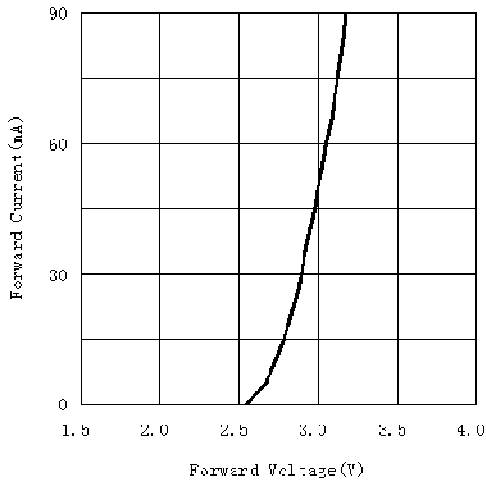
Ambient Temperature VS. Forward Current



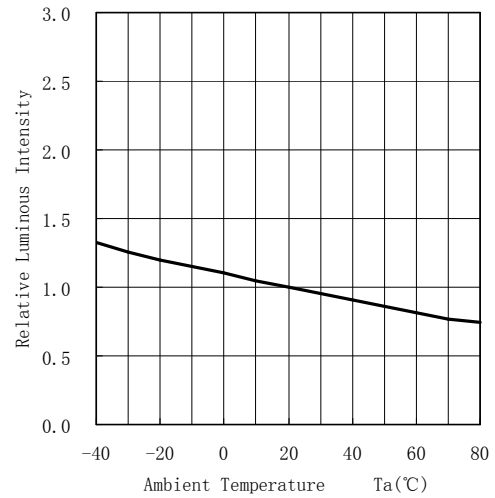
Forward Current VS. Relative Intensity



Forward Voltage VS. Forward Current



Ambient Temperature VS. Relative Intensity



Relative spectral emission

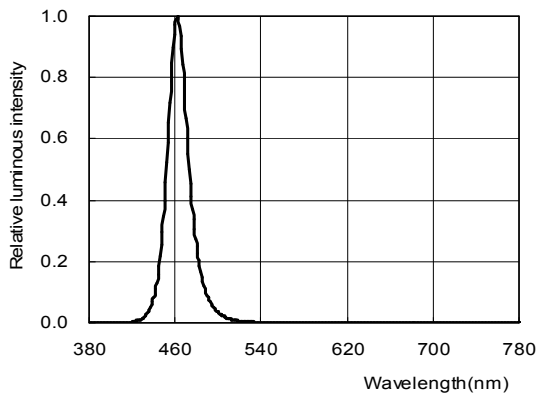
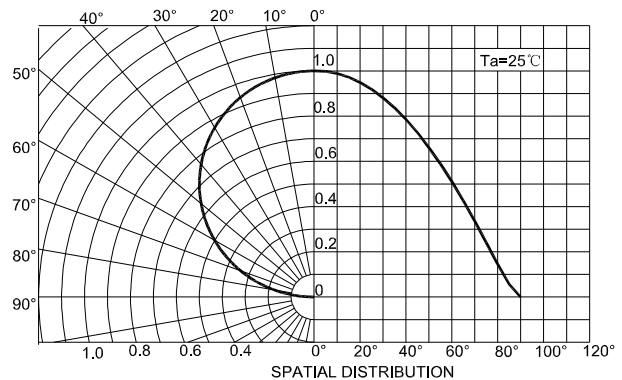


Diagram characteristics of radiation





HL-AF-5060H203BC-3-B

Reliability Test Items And Conditions

The reliability of products shall be satisfied with items listed below.
Confidence level :90%
LTPD :10%

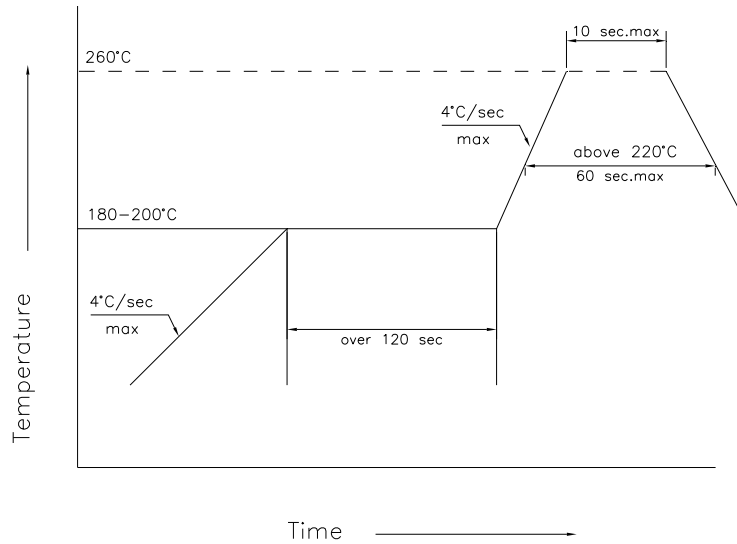
No.	Items	Ref.Standard	Test Condition	Test Hours/ Cycles	Sample Size	Ac/Re
1	Reflow	JESD22-B106	Temp:260°Cmax T=10 sec	3 times.	22Pcs.	0/1
2	Temperature Cycle	JESD22-A104	100°C±5°C 30 min. ↑↓5 min -40°C±5°C 30 min.	100 Cycles	22Pcs.	0/1
3	Thermal Shock	JESD22-A106	100°C±5°C 5 min. ↑↓ -40°C±5°C 5 min.	100 Cycles	22Pcs.	0/1
4	High Temperature Storage	JESD22-A103	Temp:100°C±5°C	1000Hrs.	22Pcs.	0/1
5	Low Temperature Storage	JESD22-A119	Temp:-40°C±5°C	1000Hrs.	22Pcs.	0/1
6	DC Operating Life	JESD22-A108	Ta=25°C±5°C IF=60mA	1000Hrs.	22Pcs.	0/1
7	High Temperature High Humidity	JESD22-A101	85°C±5°C/ 85%RH IF=15mA	1000Hrs.	22Pcs.	0/1

*The technical information shown in the data sheets are limited to the typical characteristics and circuit examples of the referenced products. It does not constitute the warranting of industrial property nor the granting of any license.



HL-AF-5060H203BC-3-B

SMT Reflow Soldering Instructions



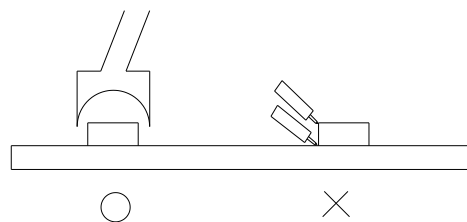
- 1.Reflow soldering should not be done more than two times
- 2.When soldering , do not put stress on the LEDs during heating

Soldering iron

- 1.When hand soldering, the temperature of the iron must less than 300°C for 3 seconds
- 2.The hand solder should be done only one times

Repairing

Repair should not be done after the LEDs have been soldered. When repairing is unavoidable, a double-head soldering iron should be used (as below figure). It should be confirmed beforehand whether the characteristics of LEDs will or will not be damaged by repairing.



HL-AF-5060H203BC-3-B

Label

IV: Luminous intensity rank
 λ D: Dominate Wavelength
 VF: Forward voltage rank



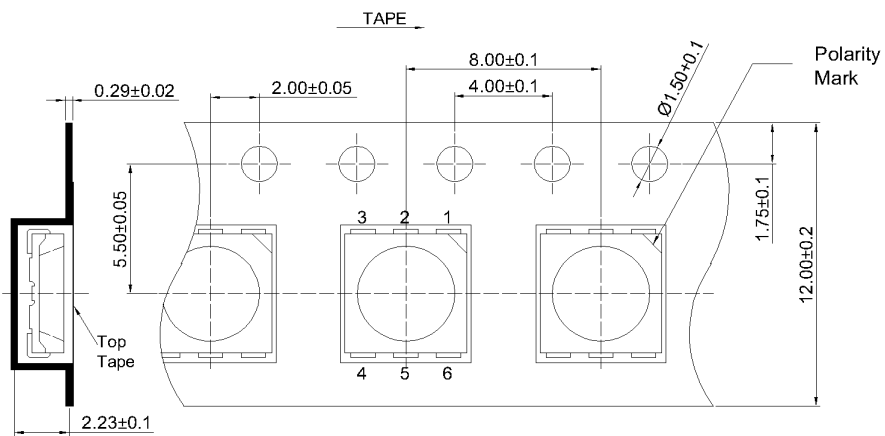
HONCLITRONIC
鸿利光电

RoHS

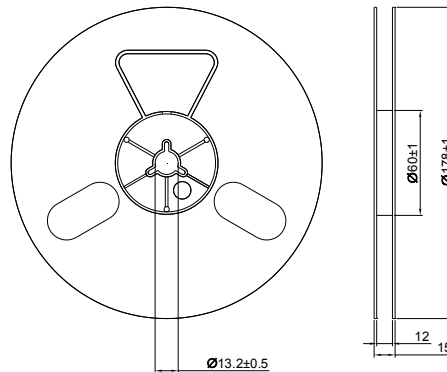
Part No: XXXXXXXXXXXXXXXXXXXXXXXX
 IV: VF: WD:
 Quantity:
 Sealing date: XXXXXXXXXXXXXXXXXXXX



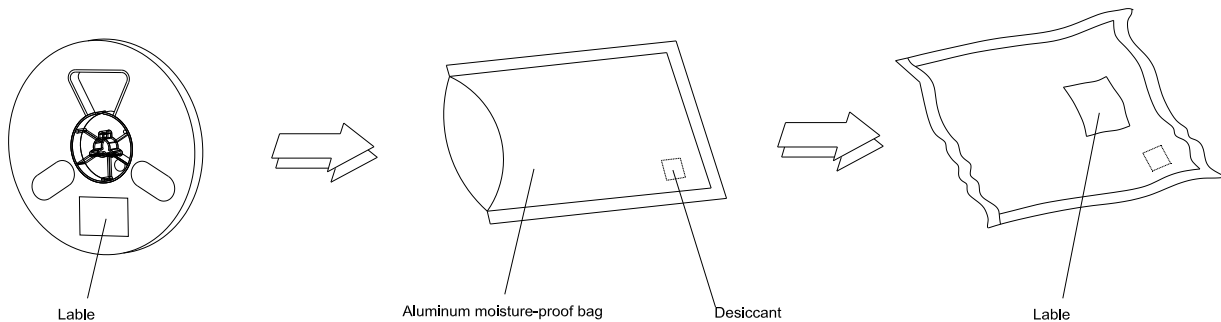
Tape Specifications (Units : mm)



Reel Dimensions



Moisture Resistant Packaging



Note: The tolerances unless mentioned is ± 0.1 mm , Unit: mm