



健隆投資有限公司
STRONG BASE INVESTMENT LTD.

Unit 17, 11/F., Hewlett Centre, 52-54 Hoi Yuen Road, Kwun Tong, Kowloon, Hong Kong.
Tel: (852) 2793 3293 Fax: (852) 2793 3096



Approval Sheet
(確認書)

編號 Ref. No.	
日期 Issued Date	2019-07-03

公司名稱 : _____
Company Name

產品編號 : 3RG9HC-1
Part No.

產品種類 : LED-LAMP
Category

產品描述 : 3MM/HIGH BRIGHT WATER CLEAR LED
Description

客戶產品編號 : _____
Customer No.

備注 : _____
Remarks

STRONG BASE				
ISSUER	APPROVER	CHECKER	ENGINEER	
	朱美丽	覃寿芝	黄曼园	
Authorized Signature 客戶簽字				
部門 Department				
簽字 Signature				

工廠名稱: 宇之亮電子(深圳)有限公司
工廠地址: 廣東省深圳市龍崗區橫崗鎮荷坳村金源工業區
Company Name: Pretty Light (Shen Zhen) Limited
Factory Address: jin-Yuan, Industrial Zone He-Ao Cun, Heng-Gang

Zhen Long-Gang Area, Shen-Zhen City,



PART NO. : 3RG9HC-1

DATE : 4 July 2019

3MM/HIGH BRIGHT WATER CLEAR LED

SPECIFICATION

ABSOLUTE MAXIMUM RATING (Ta=25°C)

Item	Symbol	Rating	Unit
Power Dissipation	P _D	80	mW
Forward Current	I _F	20	mA
Peak Forward Current (1/10 Duty Cycle, 0.1 ms Pulse Width)	I _{FP}	100	mA
Reverse Voltage	V _R	5	V
Operating Temperature	T _{opr}	-40~+80	°C
Storage Temperature	T _{stg}	-40~+80	°C

ELECTRICAL/OPTICAL CHARACTERISTICS RATING (Ta=25°C)

Item	Symbol	Test Conditions	Color Emitted	Rating			Unit
				Min.	Typ.	Max.	
Forward Voltage	V _F	I _F =20mA	ORANGE RED	1.8	2.1	2.8	V
			GREEN	1.9	2.1	2.8	
Reverse Current	I _R	V _R =5V	ORANGE RED	---	---	10	μA
			GREEN	---	---	10	
Luminous Intensity	I _V	I _F =20mA	ORANGE RED	---	30	---	mcd
			GREEN	---	60	---	
Dominant Wave Length	λ _d	I _F =20mA	ORANGE RED	---	625	---	nm
			GREEN	---	570	---	
Viewing Angle 2θ _{1/2}	2θ _{1/2}	I _F =20mA		40°			deg.

Notes:-

1) θ_{1/2} is the off-axis angle where the luminous intensity is half the optical centerline value.

Soldering Conditions : Soldering Temp. ≤ 260°C

Soldering Time ≤ 5 Sec.

: ESD protection measures shall be considered and taken in the initial design stage, because static electricity and surge could damage the LED.

Caution A wrist band or an anti-electrostatic glove should be used when handling Electrostatic Sensitive Devices.



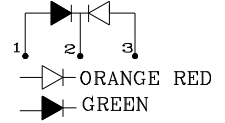
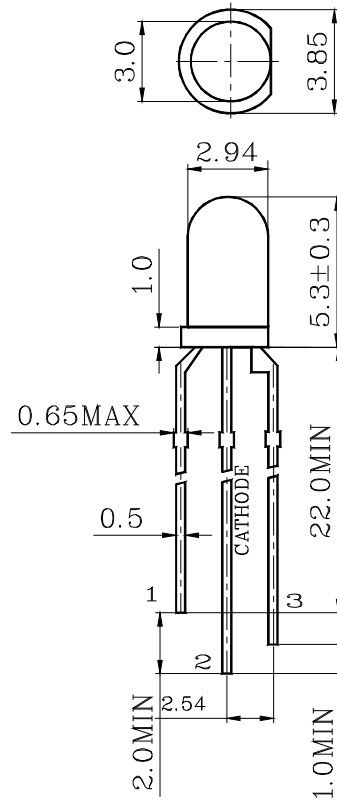
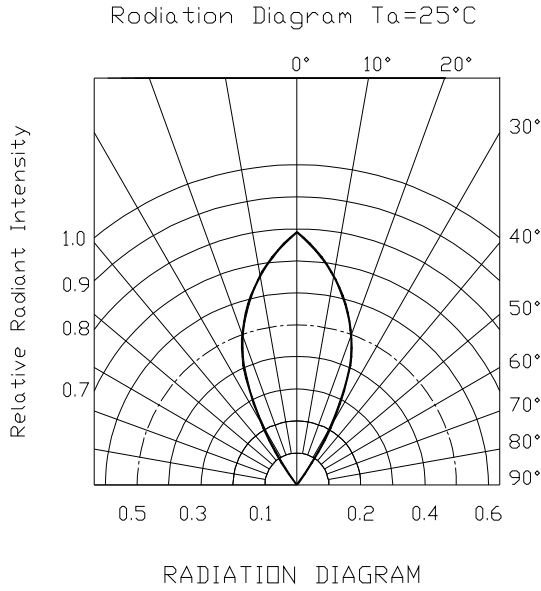
PACKAGE DIMENSION



PART NO. : 3RG9HC-1

DATE : 4 July 2019

3MM/HIGH BRIGHT WATER CLEAR LED



Item	Materials
Resin(Mold)	Epoxy Resin
Lead Frame	Copper Alloy

ORANGE RED & GREEN

- 1. Anode GREEN**
- 2. Common Cathode**
- 3. Anode ORANGE RED**

Tolerance: ± 0.25(0.01)

Unit: mm(inch)

Part Number	Emitting Color	Lens Type
3RG9HC-1	ORANGE RED	WATER CLEAR
	GREEN	

PART NO. : 3RG9HC-1

DATE : 4 July 2019

3MM/HIGH BRIGHT WATER CLEAR LED

Typical Electrical/Optical Characteristics Curves

Spectral Distribution

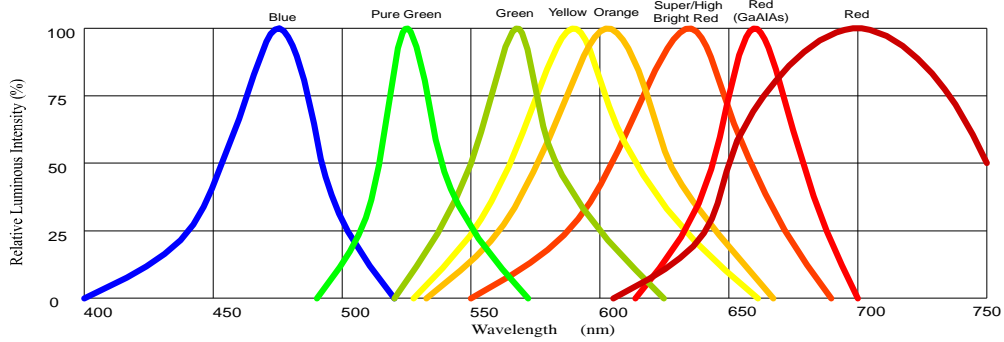


Fig1.Forward Current vs.Forward Voltage

Fig2.Relative Intensity vs. Forward Current

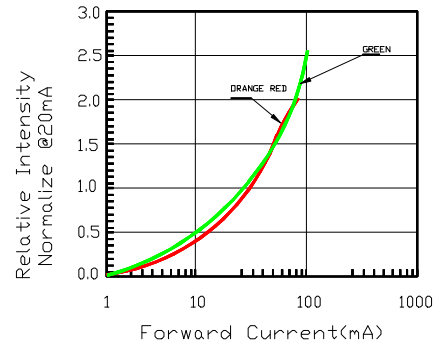
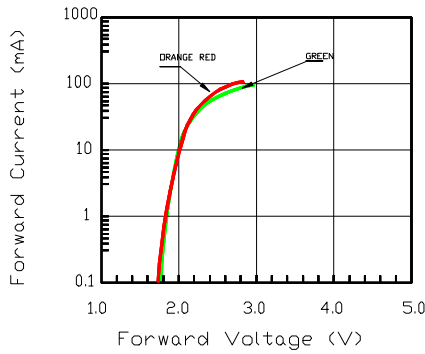


Fig3.Forward Voltage vs. Temperature

Fig4.Relative Intensity vs. Temperature

