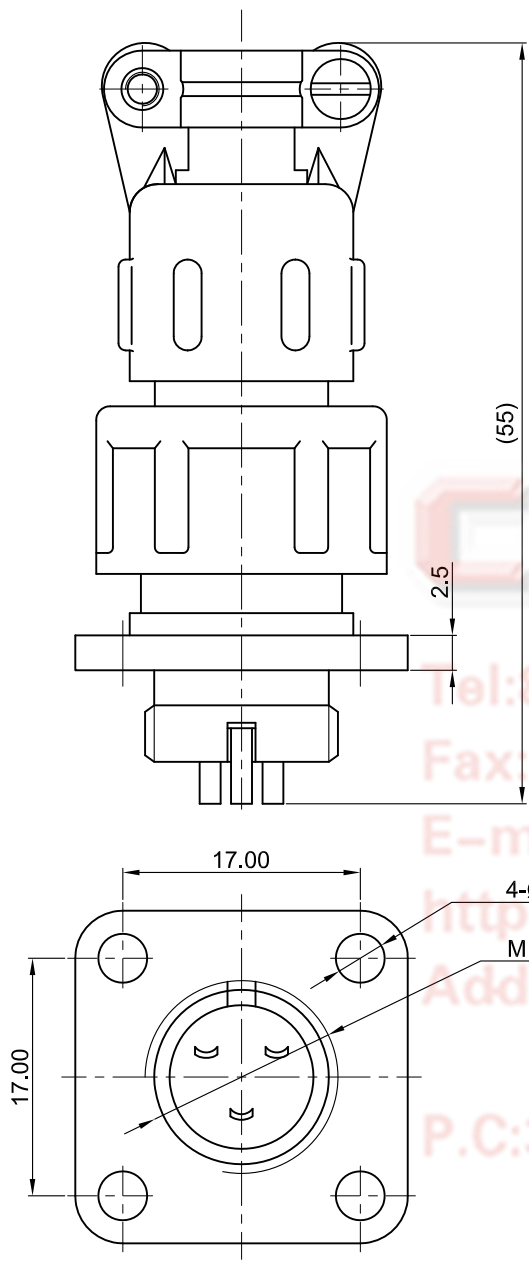


Dept  
 Qty  
 DC 1  
 ED 1  
 IE 1  
 ISO 1  
 PD 1  
 R&D 1  
 SD 1  
 QA 1  
 QC 1  
 QF 1  
 The information provided herein is from CONNFLY Electronic Co., Ltd. and is confidential. Any disclosure to a party other than the recipient is prohibited. The intellectual properties and its rights contained herein, including but not limited to, trademarks, patents, copyrights, trade secrets, and technical know-how, are owned exclusively by CONNFLY or its affiliates. Unauthorized use or modification is strictly prohibited. CONNFLY may enforce its intellectual property rights at its own discretion; failures or delays to exercise such rights does not constitute a waiver of such rights.

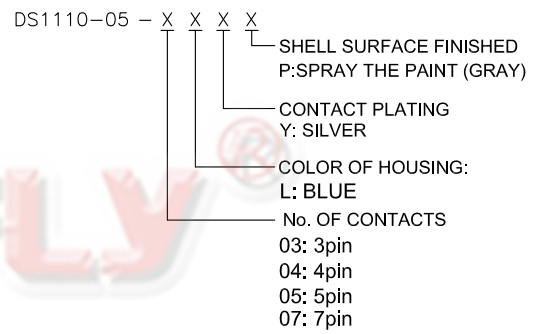
REV.	DESCRIPTION	DRAWN	CHECKED	APPROVED
A	NEW RELEASE	YCH 08/17/07'		LJC 08/17/07'
B	DRAWING UPDATE	JLZ 04/26/19'		



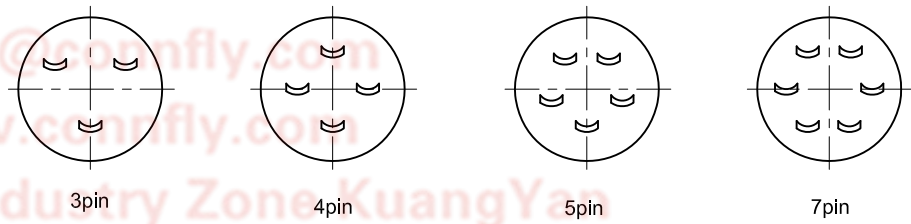
**NOTES:**

- SPECIFICATION
  - .CURRENT RATING: 5A Max.
  - .DIELECTRIC WITH STANDING VOLTAGE: 500V(AC)
  - .CONTACT RESISTANCE: 100mΩ Max.
  - .INSULATION RESISTANCE: 1000MΩ(DC)Min.

**2.PRODUCT NUMBER CODE:**



Tel: 86-574-63508787  
 Fax: 86-574-63510817  
 E-mail: sale@connfly.com  
 http://www.connfly.com  
 Add: East Industry Zone, KuangYan  
 Town Cixi Ningbo China  
 P.C: 315322



GENERAL TOLERANCE		ANGLE TOLERANCE		PROJECTION		TITLE	MICRO JACK CONNECTOR				
X.	±0.60	X.	±5°	UNITS	mm	SERIES	DS1110-05 SERIES				
.X	±0.38	.X	±3°	SHEET SIZE	A4						
.XX	±0.25	.XX	±2°								
DRAWING TYPE		CUSTOMER			晨翔电子有限公司 <b>CONNFLY CONNFLY ELECTRONIC CO. LTD</b>						
SCALE		1:1	SHEET							1 OF 1	
DRAWING NO.		C-DS1110-05-XXXX-B									