



Human Machine Interface with 7" TFT LCD display

◆ Features

- 7" 800x480 TFT LCD
- Fan-less cooling system
- Built-in flash memory and RTC
- NEMA4X/IP65 compliant front panel
- LED Back Light
- One USB Host and one USB Client port
- Support SD/SDHC
- Power Isolator inside
- Com1 RS485 2W and Com3 RS485 2W support MPI 187.5K, please select one to use at one time

【 Introduction 】

MT8000 series is the new HMI generation of Weintek. With the design concept of meeting customers' satisfaction while easy-to-Use attribute as before, a MT8000 not only performs as a Human Machine Interface but also plays as a role of data exchange center. Through the most popular Ethernet connection, data can be shared among MT8000s without limitation and any SCADA/HMI software on the PC can simply access data from MT8000s. MT8000 series is the best choice for your requirement.

The MT8070iH3 is equipped with a USB 1.1 Host, a USB 2.0 high speed device, and a SD card slot.

◆ Specifications

- **Construction:** plastic molding housing
- **Display:** 7" 800 x 480 65,536 color TFT LCD
- **CPU and core logic:** 32Bit RISC 400MHz processor
- **DRAM:** 64 MB DDR2 on board
- **Storage:** 128 MB flash memory on board,
- **I/O:** serial port: Com1: RS-232/RS-485 2w/4w,
Com2: RS-232
Com3: RS-232/RS-485 2w
1 Ethernet port (10/100 Base-T)
1 USB 1.1 host
1 USB 2.0 high speed device
- **RTC:** Built-in
- **Power input:** 24±20%V_{DC}, 250mA@24VDC
- **Dimension (W x H x D):** 200 x 146 x 42.5mm
- **Weight:** approx. 0.85kg
- **Software:** EB8000 V2.0.0 or later

◆ LCD Display

Display type	TFT LCD
Display size (diagonal)	7"
Max colors	65536
Resolution	800 x 480
Pixel pitch (HxV, mm)	0.1926 x 0.179
Viewing angle (°)	60/70/70/70(T/B/R/L)
Luminance (cd/m ²)	350
Backlight	LED
Backlight Life time	30,000 hrs.
Contrast ratio	500:1

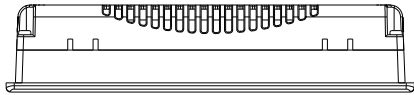
◆ Touchscreen

- **Type:** 4-wire, analog resistive
- **Resolution:** continuous
- **Light transmission:** above 80%
- **Life:** 1 million activation minimum

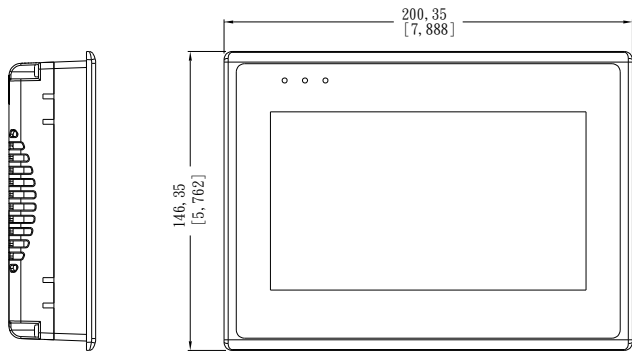
◆ Environmental Specifications

- **Operating temperature:** 0° ~ 50°C (32° ~ 122°F)
- **Storage temperature:** -20° ~ 60°C (-4° ~ 140°F)
- **Relative humidity:** 10% ~ 90% @ 40°C, non-condensing
- **Shock (operation):** 10 to 25Hz(X, Y, Z direction 2G 30minutes)
- **CE/FCC :** Complies with
EN 55022:2006, Class A
EN 61000-3-2:2006
EN 61000-3-3:1995+A1:2001+A2:2005
EN 55024:1998+A1:2001+A2:2003
- **Front panel meets NEMA4X / IP65**

◆ Dimensions Drawing

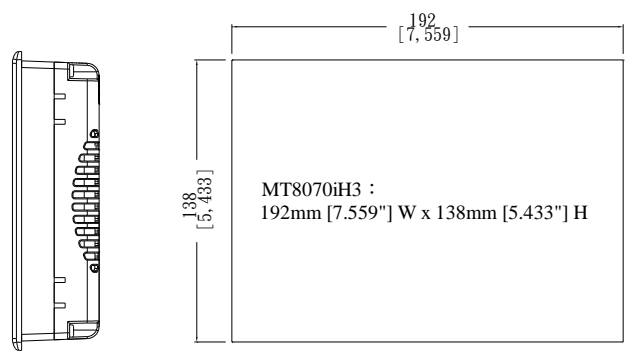


Top View



Side View

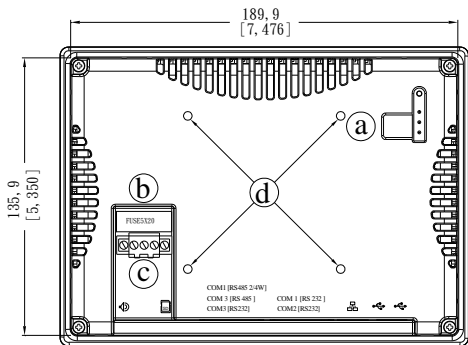
Front View



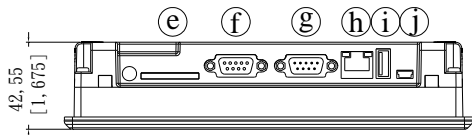
Side View

Cutout Dimensions

MT8070iH3 :
192mm [7.559"] W x 138mm [5.433"] H



Rear View



Bottom View

a	DIP SW & Reset Button	f	Com1 RS485, Com3 RS485, Com3 RS232
b	Fuse	g	Com1 RS232, Com2 RS232
c	Power Connector	h	Ethernet Port
d	VESA 75mm Screw Holes	i	USB Host Port
e	SD Card Slot	j	USB Client Port

Ordering Information

- **MT8070iH3:**
7" 800x480 TFT LCD HMI, 128MB flash memory/64MB DDR2 RAM on board.
- **RZCMT6100:**
MT6000/8000 i series download cable / Mini USB to USB 2.0 100 cm