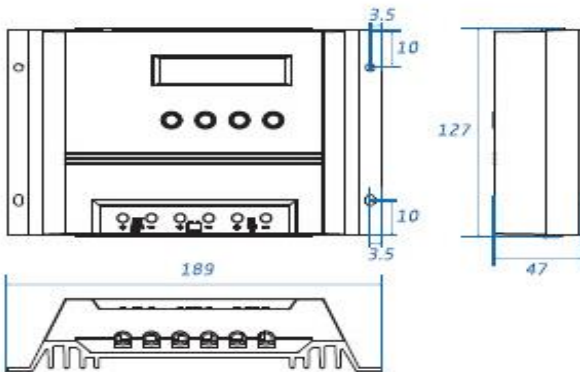


SAVIOR SOLAR S-MAX SERIES

SAVIOR SOLAR CHARGE CONTROLLER



Max series

With your new Max controller you own a state-of-the art device which was developed according to the latest available technical standards.

Product features

- LCD display One year's data memory
- 12V/24V automatic recognition
- External temperature sensor, automatic temperature compensation
- Perfect EMC design
- Many choices of battery type, working mode and protection
- Four stage charge way: fast, boost, equalization, float
- Full automatic electronic protect function

Family members

Max series
Max-48 series

DATASHEET

Mode	Max series Max20/30/40	Max 48 series Max20/30/40 - 48
Max solar current or load current	20/30/40A	20/30/40A
System voltage	12/24V automatic recognition	48V
Fast voltage	14.0/28.0V (25°C)	56V(25°C)
Boost voltage	14.0~15.0V/28.0~30.0V(25°C) (programmable)	56~60V(25°C) (programmable)
Equalization voltage	14.0~15.5V/28.0~31.0V(25°C) (Liquid) (programmable)	56~62V(25°C) (liquid) (programmable)
Float voltage	13.0~14.5V/26.0~29.0V(25°C) (programmable)	52~58V(25°C) (programmable)
Load disconnect voltage	Voltage	11.0~12.5V/22.0~25.0V (programmable)
	SOC	20~70% (programmable)
Load reconnect voltage	Voltage	11.8~13.3V/23.6~26.6V (programmable)
	SOC	40~90% (programmable)
Over voltage protection	16.5/33.0V	66.0V
Day/Night threshold	3.0~7.5V/6.0~15.0V (programmable)	12~30V programmable
Working time during night	0~18Hours (programmable)	
Light on/off delay	0~2Hours (programmable)	
Battery type	Liquid, Gel	
Nominal capacity	10Ah~9990Ah (programmable)	
Temperature compensation	-4.17mV/K per cell (boost, equalization), -3.33mV/K per cell (float)	
Max solar voltage	55V	100V
Max battery voltage	40V	64V
Dimensions/Weight	127x189x47mm/550g	
Max. Wire size	25 mm ²	
Own consumption	13.8mA	
Ambient temperature	-10 ~ +60°C	
Degree of protection	IP32	