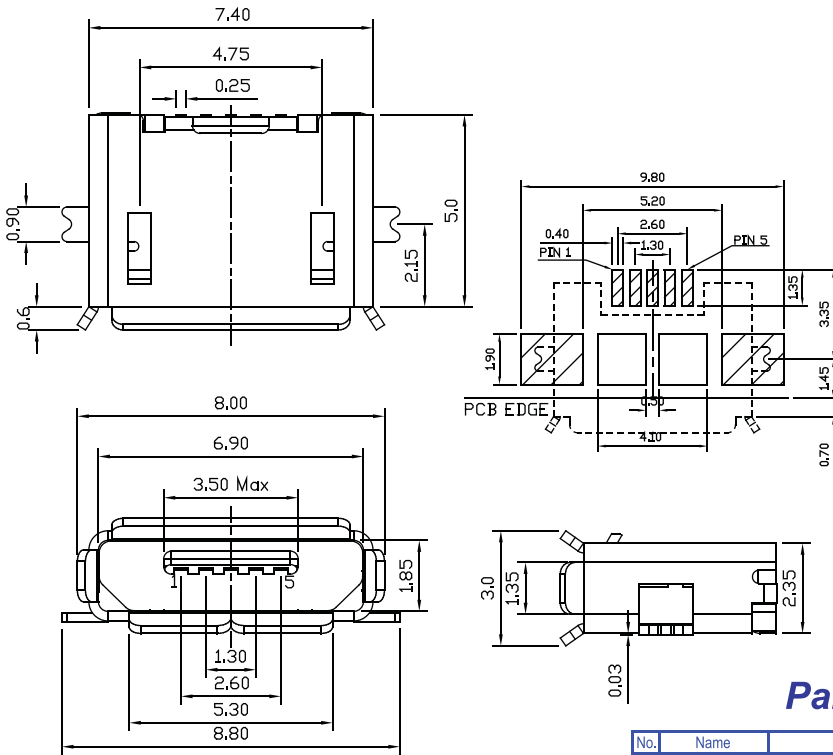




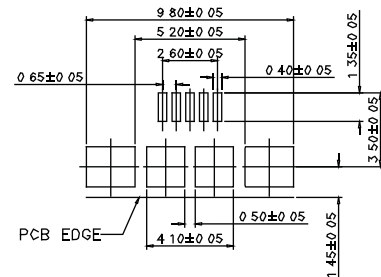
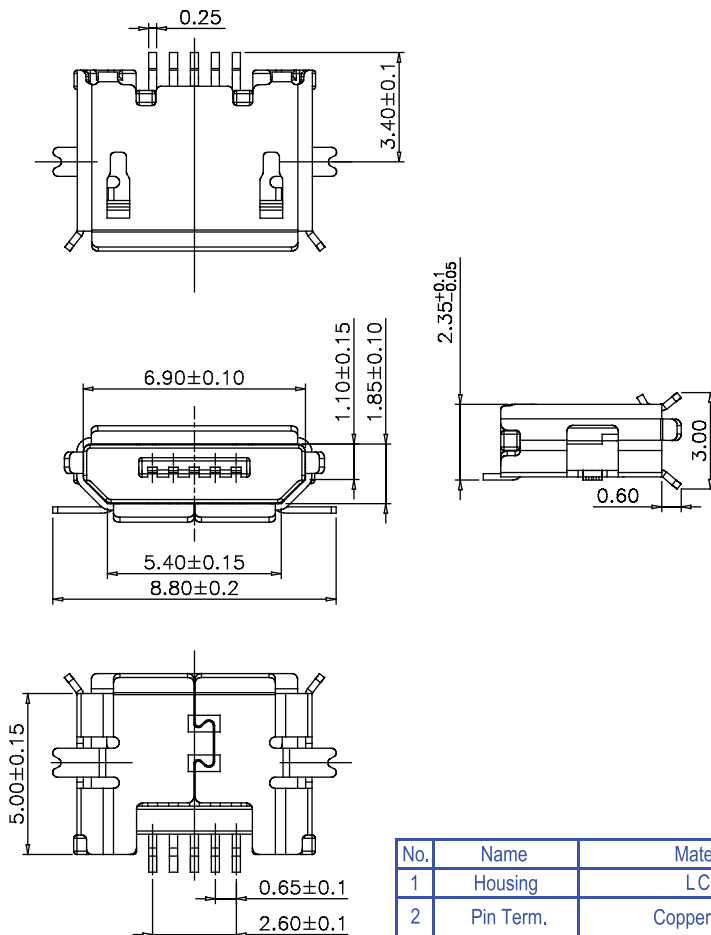
Micro USB Female AB Type SMT 5P



Part No.:MIUSB-F5M-ABB-U

No.	Name	Material	Finish	Q'TY	Remark
1	Housing	LCP+GF30%	Black	1	
2	Pin Term.	Phosphor Bronze T=0.20	Gold Plated	5	Gold: 30u"
3	Shell	Stainless T=0.20	Nickel Plated	1	Ni:80~120u"

Micro USB Female BB Type SMT 5P



Part No.:MIUSB-F5M-BB-U

No.	Name	Material	Finish	Q'TY	Remark
1	Housing	LCP	Black	1	
2	Pin Term.	Copper Alloy	Gold Plated	5	Gold
3	Shell	SUS		1	

M
icro USB



ROHS

AMTEK CONNECTOR MANUFACTURE