

TERMINAL BLOCK Connector

Pluggable Series

KLS2-EDKF-5.08 Series Pitch=5.08mm

Electrical :

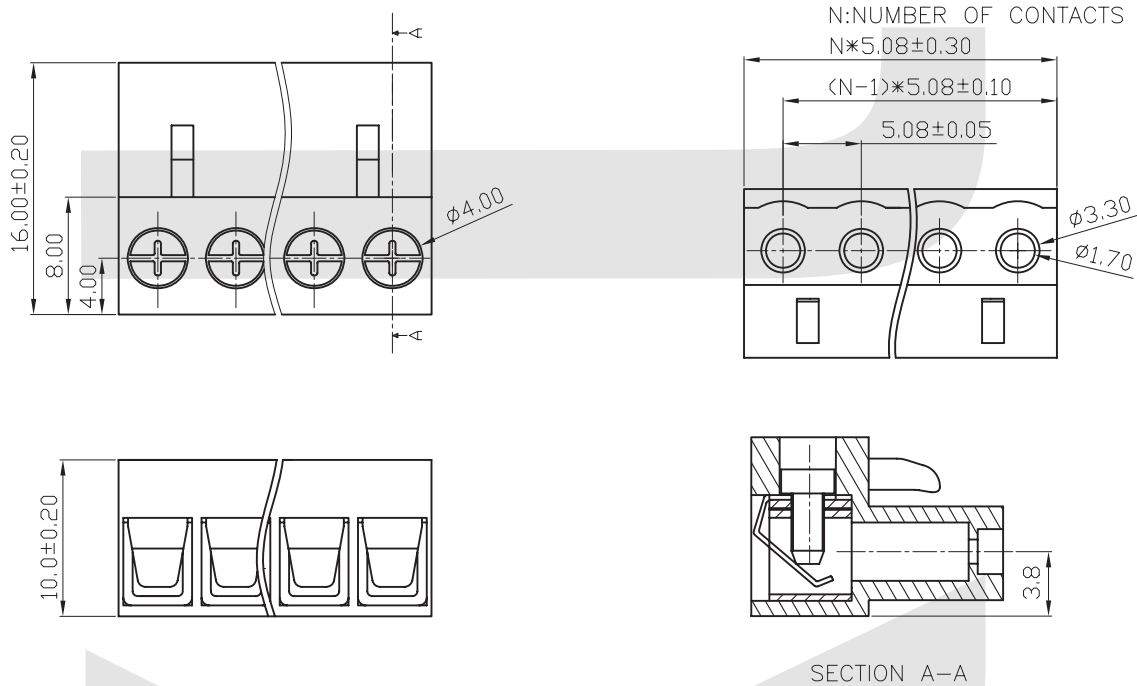
Rated voltage: 300V
 Rated current: 10A
 Contact resistance: 20mΩ
 Insulation resistance: 5000MΩ/1000V
 Withstanding Voltage: AC2000V/1Min
 Wire range: 28-12AWG 2.5mm²

Material

Screws: M2.5 steel Zinc plated
 Contact: Phosphor bronze
 Housing: PA66, UL94V-0

Mechanical

Temp. Range: -40°C~+105°C
 MAX Soldering: +250°C for 5 Sec.
 Torque: 0.4Nm (3.6lb.in)
 Strip length: 7-8mm



ORDER INFORMATION

Product NO.: KLS2-EDKF-5.08-XXP X X X

Pos. NO.	Series No.	Pitch	5.08=5.08mm	Number of Pole	Customer Request	Screw: C=Cross Screw S=Slot Screw	Color: 1=Gray 4=Green 7=Transparent	2=Blue 5=Orange 8=Yellow	3=Black 6=Red 9=White
----------	------------	-------	-------------	----------------	------------------	--------------------------------------	---	--------------------------------	-----------------------------