



PRODUCT DATA APPROVAL SHEET

Core- RM10

Cosmo Ferrites Ltd. - INDIA

Appearance & Shape: To be free from any defect such as flow, burrs, unevenness etc, As per IEC standards.

Effective Parameters irrespective of material grade (per set)

- Effective Length (L_e): 44.0mm
 - Effective Area (A_e): 98.0mm²
 - Effective Area (A_{Min}): 90.0mm²
 - Effective Volume (V_e): 4310mm³
- Approximate weight (without Gap): 21.8g/Set**



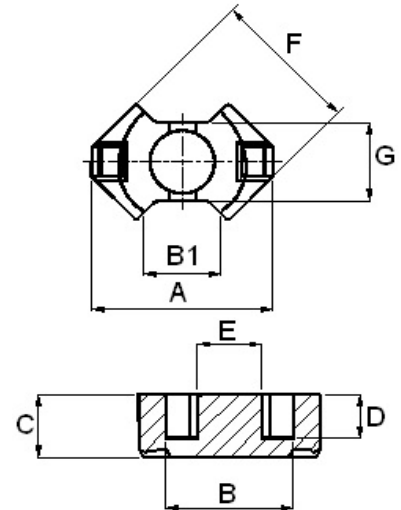
RM10 Un-gapped (OL)

Test Conditions: 1kHz/1mT/CFR COIL,N=100/25°C

Material Grade	Initial Permeability (μ_{iac})	AL Value (nH)/Set	Ordering code
CF195	5000 \pm 20%	7100 +30%/-20%	CF195RM10 OL

Dimensions :

Dimension	Nominal (in mm)	Maximum (in mm)	Minimum (in mm)
A	27.85	28.5	27.2
B1	-	-	10.9
B	21.65	22.1	21.2
C	9.35	9.50	9.20
D	6.35	6.50	6.20
E	10.7	10.9	10.5
F	24.15	24.7	23.6
G	13.2	13.5	12.9



For Cosmo Ferrites Limited-INDIA

Checked By: A.K.
 Approved By: B.S.
 Authorized By: KSR
 Date: 30-10-2014(ISSUE NO.1)

Customer's Approval
 Authorized Signatory:
 Name:
 Date:

NOTE: Please send this Data Sheet back to Cosmo Ferrites Ltd. after approval. If not received back within 15 days, it will be presumed that all the specifications given in the consent/data sheet are acceptable to the concerned.