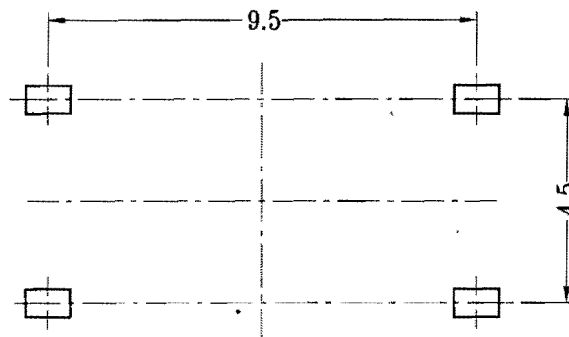
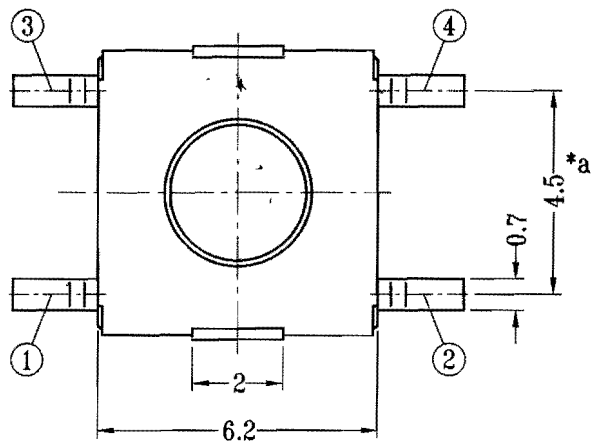
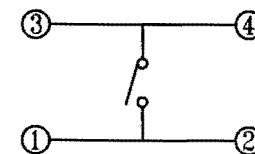


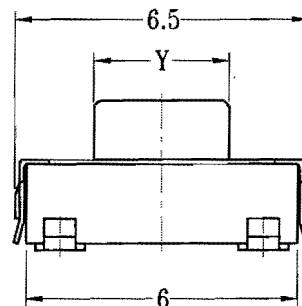
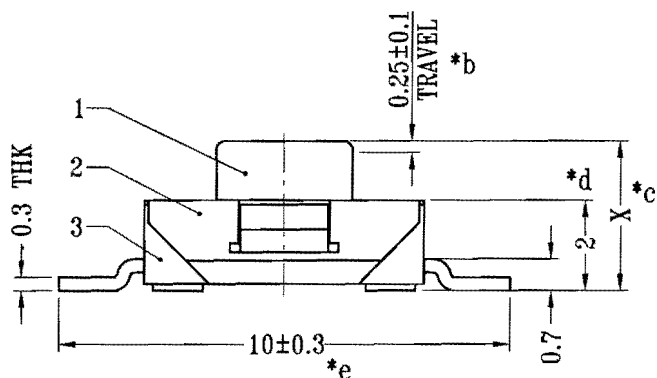
CAD FILE:



P.C.B LAYOUT
TOP VIEW



SCHEMATIC



TD-28XE	TD07XE	6±0.15	ø2.9	
TD-28XG	TD07XG	8±0.15	ø2.9	
TD-28XD	TD07XD	4.2±0.1	ø2.9	
TD-28XC	TD07XC	5.4±0.15	ø2.9	
TD-28XH	TD07XH	2.7 ^{+0.2} ₋₀	ø3.0	/
TD-28XF	TD07XF	3.3 ^{+0.15} _{-0.05}	ø3.0	
TD-28XB	TD07XB	2.5 ^{+0.15} _{-0.05}	ø3.0	
TD-28XA	TD07XA	3.1 ^{+0.15} _{-0.05}	ø3.0	
MODEL NO.	KNOB TYPE	X	Y	

注: *表示关键尺寸(5个)

8					TOLERANCE			(1)更改前产品型号 MODEL: TD-07XB(XA);	
7					UNLESS SPECIFIED			(2) 、 塑胶材质统一更改为FR52料,	
6					WITHIN 1.5mm : ±0.1mm	B	05-Mar-2012	取消铁盖电镀要求; (3)增加产品明细表	
5					OVER 1.5mm : ±0.2mm	ISSUE	DATE	DESCRIPTIONS OF REVISION	
4	CONTACT	PBS C5210R-EH	1	Ag CLAD	TITLE : TACT SWITCH			UNIT : mm	DRWG NO.: TT-DR-TD28XA-00
3	CASE	FR52/BRASS STRIP	1	BLACK/Ag PLATED OVER Ni PLATED	MODEL: TD-28XA~XH			SCALE: 6:1	DWN. 曾涛 05-Mar-2012
2	COVER	SUS	1	NATURAL	WEALTH METAL FACTORY LTD.				CHK'D
1	KNOB	FR52	1	RED/BLACK/BROWN					APPD.
NO.	PARTS	MATERIALS	Q'TY	FINISH					