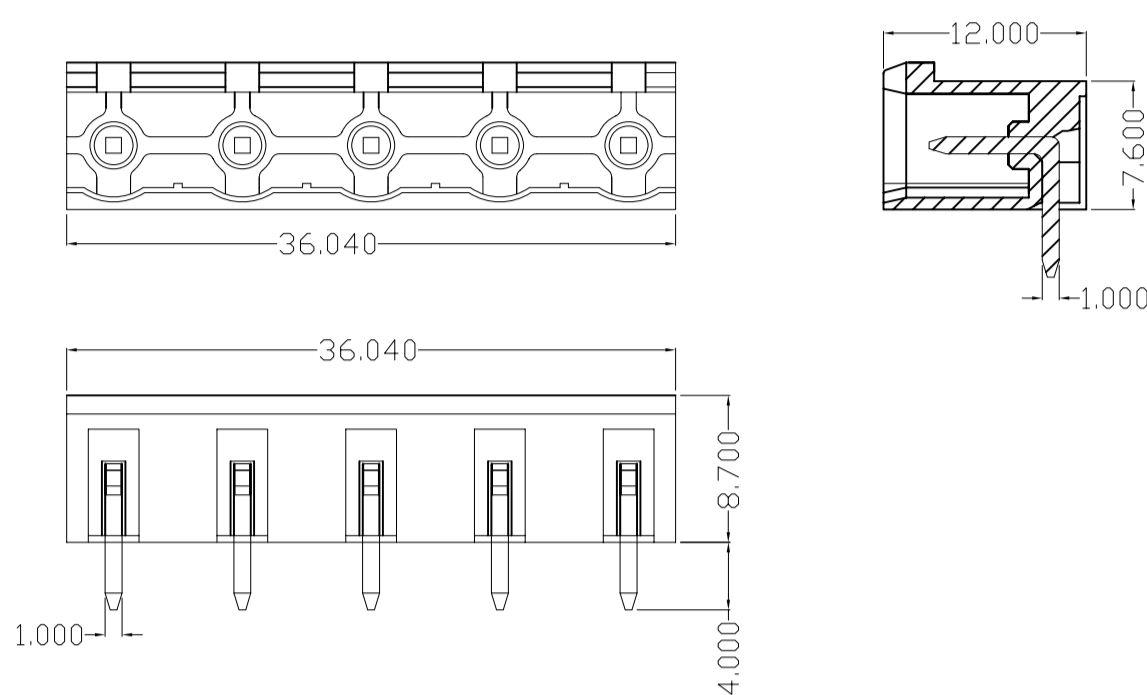


PART NO.: 2EGTR-7.62

- Pluggable Terminal Block,
- Nominal Current (IEC): 20A
- Rated Voltage (IEC): 400V
- Number of Positions: 2P-12P
- Standard Color: Green
- Contact Surface: Tin
- Connection Method: Soldering

DRAWINGS:



TECHNICAL DATA:

Electrical		
Standard	UL	IEC
Rated voltage	300V	400V
Rated current	15A	20A
With standing voltage	4.0KV	
Mechanical		
Ambient temperature	-40°C~+105°C	
Dimensions		
Pitch	7.62mm(.300")	
Poles	2P-12P	
Material		
Housing	PA66.UL94V-0	
Pin header	Brass,Tin plated	

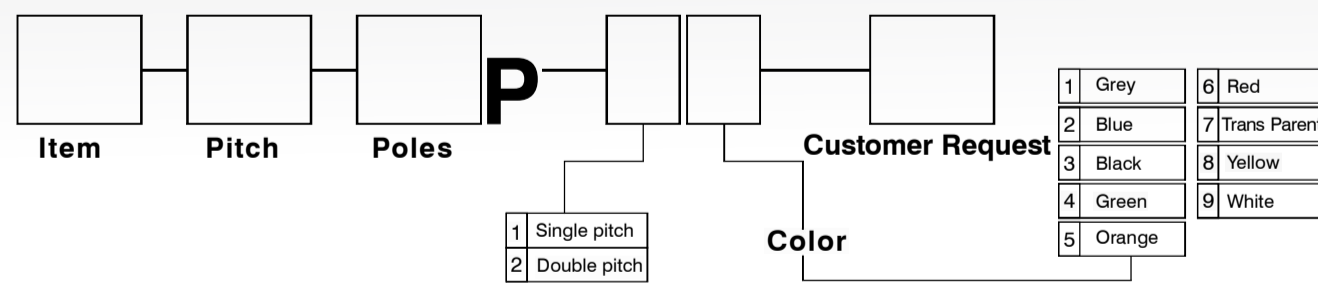
APPLICATION:

Elevator, Industry, Security, Instrument, Machinery, Energy, Communication, Lighting, Construction, Electrical

MATCHING PARTS:

female parts \ male parts	2EGTK-7.62	2EGTKM-7.62	2EGTKA-7.62	2EGTKAM-7.62	2EGTKB-7.62	2EGTKBM-7.62	2EGTKD-7.62	2EGTKDM-7.62
2EGTR-7.62	•	•	•	•	•	•	•	•

HOW TO ORDER:



PACKING:

Item	Number of Poles	PCS/Box A	PCS/Box B	PCB/Carton	GW/CTNS(KG)
2EGTR-7.62	2		1600	6400	7
	3		1000	4000	7
	4		800	3200	8
	5		600	2400	7
	6		900	3600	12
	7		800	3200	13
	8		725	2900	13
	9		600	2400	12
	10		575	2300	13
	11		500	2000	12
	12		450	1800	12

Remark: Box A Dimension: 20*13.5*7(cm); Box B Dimension: 26*20*10(cm)
Carton Dimension: 42*28*23(cm)