

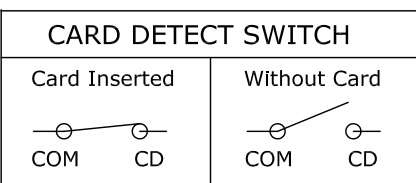
Date code: **8 1 6 4**
 year: 2018 day: 1~7
 week: 1~52

REV.	DESCRIPTION	DRAWN	DATE
2	Pin definition	Willis	2010/10/11
3	New frame	Willis	2012/08/03
4	ECR1800010 add Rib	FROS	2018/05/10

SPECIFICATION:

1. ELECTRICAL
 - 1.1 Current Rating: 0.5A per pin
 - 1.2 Voltage Rating: 30V AC/DC
 - 1.3 Contact Resistance: 100mΩ
 - 1.4 Insulation Resistance: 1000MΩ
 - 1.5 Dielectric Withstanding Voltage: 500VAC
2. MECHANICAL
 - 2.1 Durability: 10,000 Cycle
 - 2.2 Insertion Force: 7N max.
3. ENVIRONMENTAL
 - 3.1 Operating temperature range: -40°C~+85°C
 - 3.2 Storage temperature range: -40°C~+85°C
4. SOLDER ABILITY
 - 4.1 Recommended IR-Reflow Temperature: 260°C

PIN DEFINITION						
NAME	C1	C2	C3	C5	C6	C7
TYPE	Vcc	RST	CLK	GND	Vpp	I/O



NO.	PART NAME	DESCRIPTION
6	SPRING	SWP
5	CRANK	SUS304
4	SLIDER	LCP, UL94V-0, Black
3	SHELL	SUS304, Gold plating on solder tails, under plating: 50u" min. Nickel
2	CONTACT	Phosphor Bronze, Gold plating on contact area, 120u" min. Tin plating on solder tails, under plating 50u" min. Nickel
1	HOUSING	LCP, UL94V-0, Black

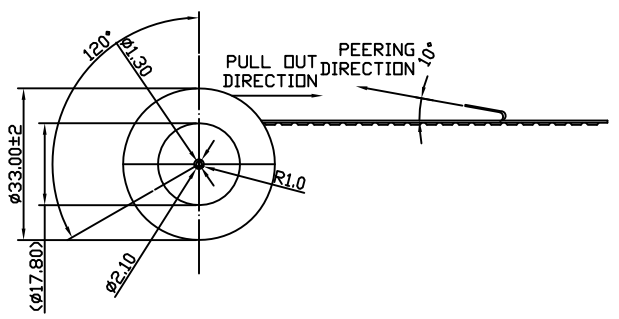
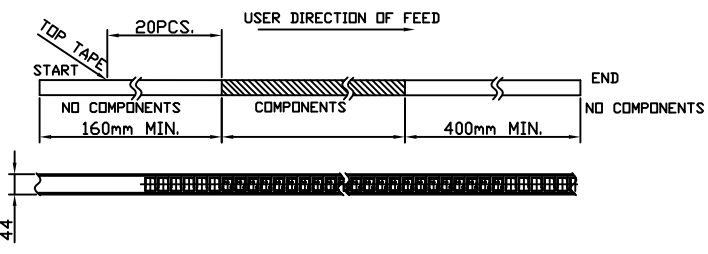
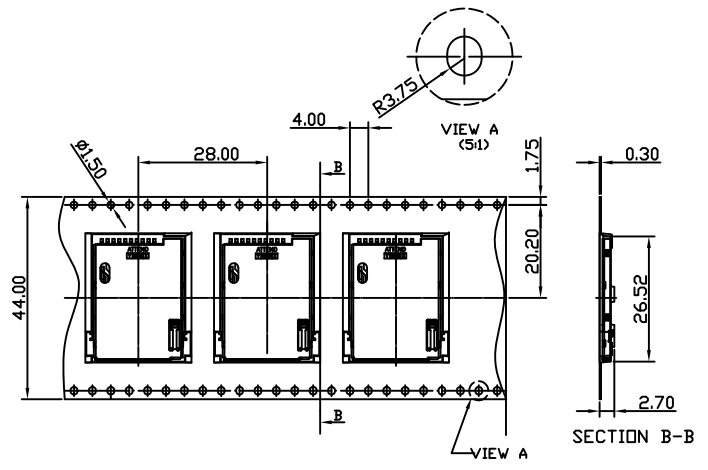
RECOMMENDED LAYOUT (TOP VIEW) TRACE PROHIBITION AREA
 GENERAL TOLERANCE: ±0.05mm

UNLESS OTHERWISE SPECIFIED TOLERANCE

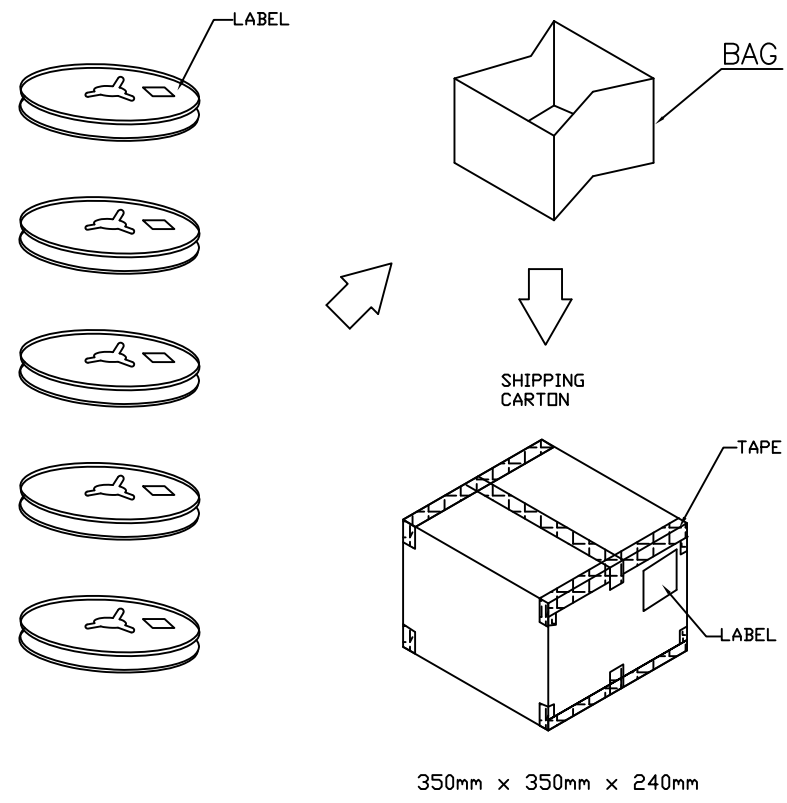
UNIT:	DECIMAL	LINEAR	ANGLES
mm	X.	±0.50	±5°
	X.X	±0.25	±3°
	X.XX	±0.12	±1°

ATTEND
www.attend.com.tw

DRAWN	Willis	2009/01/10	DRAWN NAME:	
CHECKED	Angel	2009/01/10	SIM Card Socket 6+2Pin Push-Push Type	
APPROVED	Ken	2009/01/10	PRODUCT NO.	115A-ADA0-R02
	SCALE 2/1	SHEET 1/1	SIZE A4	FILE NAME 115A-ADA0-R02_B_4



NOTE:
 1. 115A SERIES STANDARD PACKING: 500 PCS/REEL
 2. 5 REEL/SHIPPING CARTON



350mm x 350mm x 240mm

REV.	DESCRIPTION	DATE	REV.	DESCRIPTION	DATE	SIZE	REV.	FILE NAME
1			1			A4	1.0	115A-ADA0-R02_D_2
2			2					
3			3					
4			4					
5			5					
6			6					
7			7					
8			8					
9			9					
10			10					

UNLESS OTHERWISE SPECIFIED TOLERANCE			www.attend.com.tw	
ANGLES	ANG.	±5°	DRAWN NAME: SIM Card Socket 6+2Pin Push-Push Type	
	0.	±0.3		
LINEAR	0.0	±0.25	DRAWN Willis 2012/08/03	
	0.00	±0.20		
SCALE	AS SHOWN	UNIT: mm	CHECKED Angel 2012/08/03	
DRAWN	Willis	2012/08/03		
APPROVED Ken 2012/08/03			PRODUCT NO. 115A-ADA0-R02	
DATE 2010/10/11			FILE NAME 115A-ADA0-R02_D_2	
DATE 2009/11/25				



www.attend.com.tw
 DRAWN NAME:
 SIM Card Socket 6+2Pin Push-Push Type

△ Revise:

△ Revise: pin definition

△ Revise: date code marking