

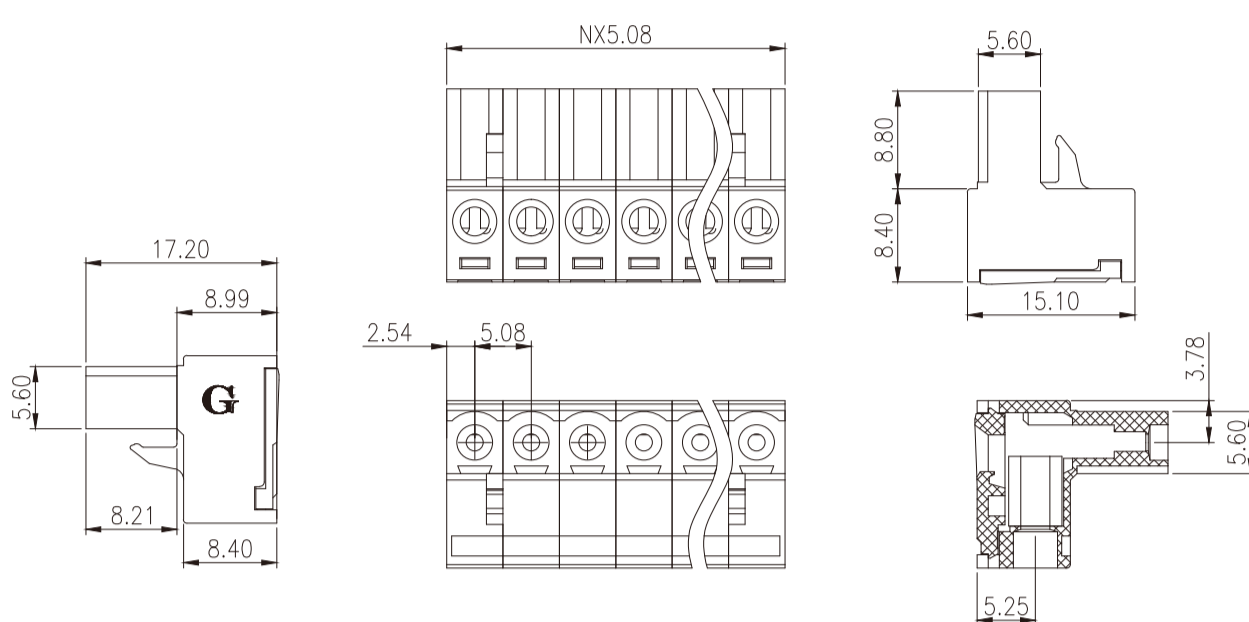
APPROVALS: RoHS (submitted) (submitted)

PART NO.: 2EGTK-5.08



- Pluggable Terminal Block,
- Nominal Current (IEC): 20A
- Rated Voltage (IEC): 320V
- Number of Positions: 2P-24P
- Standard Color: Green
- Contact Surface: Tin
- Connection Method: Screw Connection

DRAWINGS:



www.cngolten.com
golten@cngolten.com

Tel: +86-574-63204122

1/3
18/5/2013

TECHNICAL DATA:

Electrical		
Standard	UL	IEC
Rated voltage	300V	320V
Rated current	15A	20A
Wire range	28-12AWG	2.5mm ²
With standing voltage	AC2500V/1Min	
Mechanical		
Torque	0.4Nm(3.5Lb-In.)	
Ambient temperature	-40°C~+105°C	
Strip length	7mm	
Dimensions		
Pitch	5.08mm(.200")	
Poles	2P-24P	
Material		
Housing	PA66.Ul94V-0	
Screws	M2.5,steel,Cr ³⁺ Zn Plated	
Pin header	Phosphor bronze	
Wire guard	Brass,Ni plated	

APPLICATION:

Elevator, Industry, Security, Instrument, Machinery, Energy, Communication, Lighting, Construction, Electrical

MATCHING PARTS:

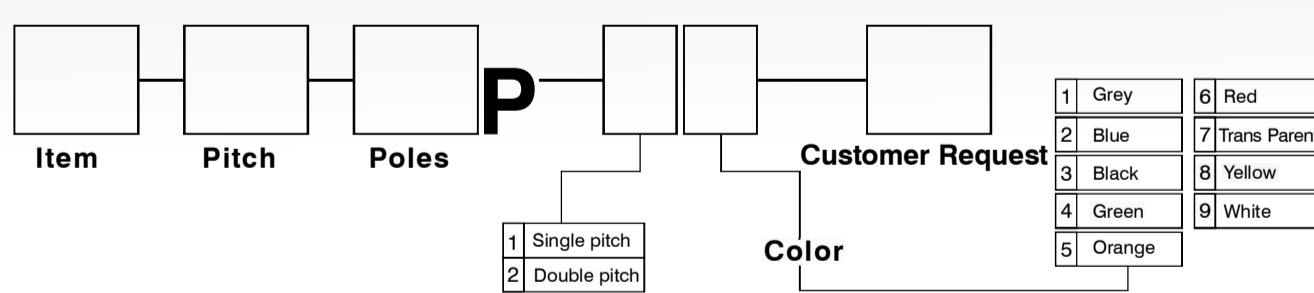
female parts \ male parts	2EGTV-5.08	2EGTVC-5.08	2EGTR-5.08	2EGTRC-5.08
2EGTK-5.08	•	•	•	•

www.cngolten.com
golten@cngolten.com

Tel: +86-574-63204122

2/3
18/5/2013

HOW TO ORDER:



PACKING:

Item	Number of Poles	PCS/Box A	PCS/Box B	PCB/Carton	GW/CTNS(KG)
2EGTK-5.08	2		1200	4800	15
	3		800	3200	15
	4		600	2400	15
	5		900	3600	28
	6		720	2880	28
	7		640	2560	27
	8		550	2200	27
	9		480	1920	27
	10		450	1800	28
	11		375	1500	26
	12		350	1400	27
	13		325	1300	27
	14		300	1200	26
	15		275	1100	25
	16		250	1000	27
	17		250	1000	28
	18		240	960	27
	19		225	900	26
	20		200	800	25
	21		195	780	26
	22		190	760	26
	23		185	740	27
	24		180	720	27

Remark: Box A Dimension: 20*13.5*7(cm); Box B Dimension: 26*20*10(cm)
Carton Dimension: 42*28*23(cm)

www.cngolten.com
golten@cngolten.com

Tel: +86-574-63204122

3/3
18/5/2013