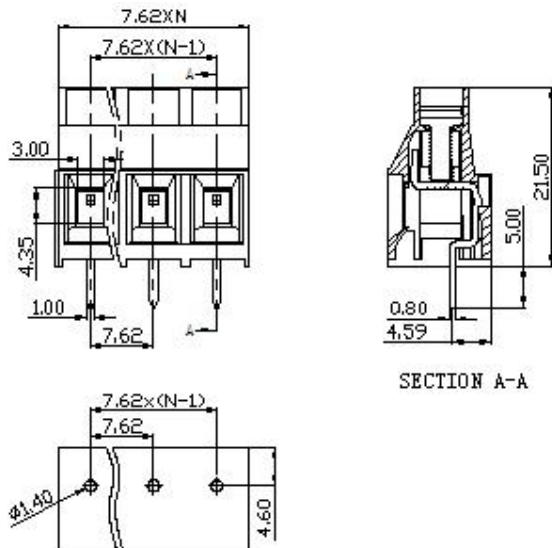
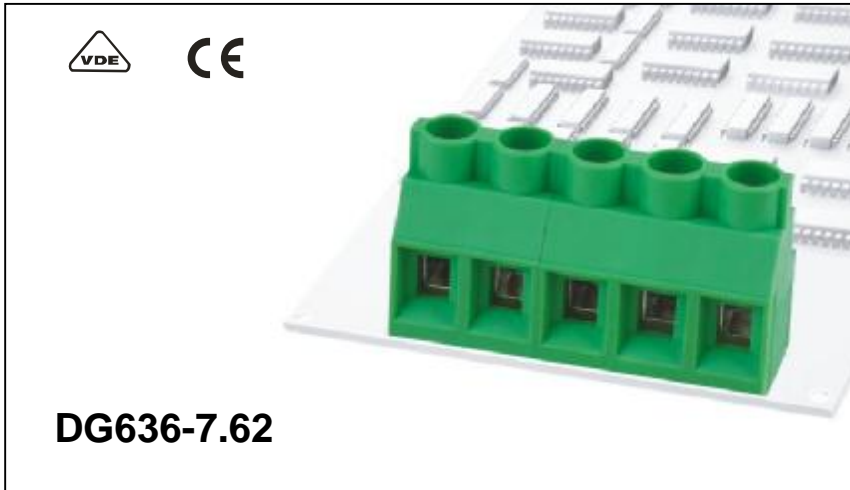




DEGSON ELECTRONICS CO., LTD.

Product Specification

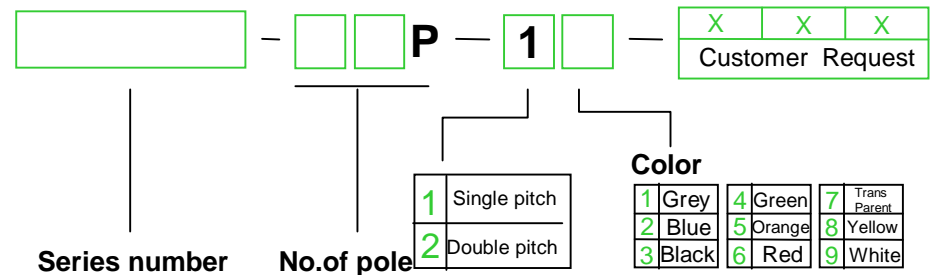


APPROVAL	VDE	
Electrical	UL	IEC
Standard	300V	630V
Rated voltage	30A	32A
Rated current	26-10AWG	4.0mm ²
Wire range	AC3000V/1Min	
Withstanding voltage		

Mechanical		
Torque	0.5Nm(4.4Lb-In)	
Ambient temperature	-40°C~+105 °C	
Strip length	8mm	
Dimensions		
pitch	7.62mm(.300")	
Poles	2P,3P-24P	

Material		
Housing	PA66,UL94V-0	
Screws	M3,Steel, Cr ³⁺ Znplated	
Pin header	Brass,Tin-plated	
Cage	Brass,Ni-plated	

HOW TO ORDER :



	DEGSON ELECTRONICS CO., LTD.
	NAME DG636-7.62