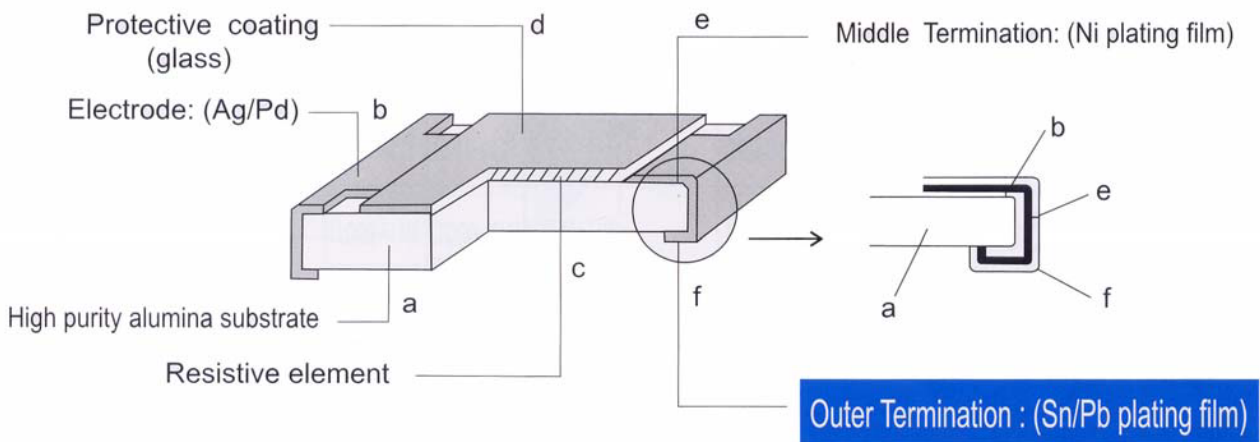


## SMD Thick Film Chip Resistors

### CONSTRUCTION



### APPLICATION

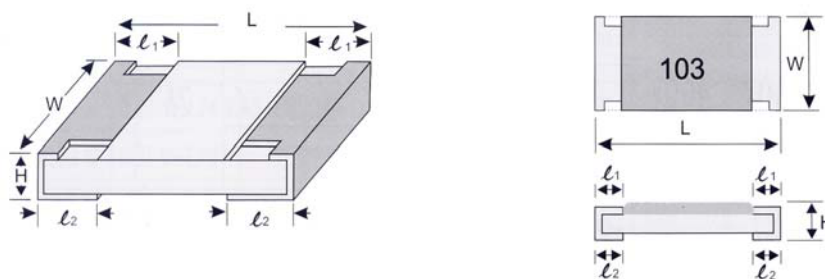
Telecommunication equipments. Radio and Tape recorders, TV tuners, Video cameras, Watches, Pocket calculators, Automotive Industry (Indicator), Computers, Instruments, Medical and Military equipments.

### FEATURES

- Small size and light weight
- Reduction of assembly costs and matching with placement machines.
- Reliability, High quality and Fast delivery.
- Suitable for both reflow soldering and flow soldering.

### DIMENSION

0402/0603/0805/1206/1210/2010/2512



unit : mm

TYPE	L	W	H	$l_1$	$l_2$
0402	1.00 ±0.10	0.50 ±0.05	0.30 ±0.05	0.20 ±0.10	0.20 ±0.10
0603	1.60 ±0.20	0.80 ±0.15	0.40 ±0.10	0.30 ±0.20	0.30 ±0.15
0805	2.00 ±0.20	1.25 ±0.15	0.50 ±0.15	0.35 ±0.15	0.35 ±0.15
1206	3.20 ±0.20	1.60 ±0.20	0.55 ±0.15	0.45 ±0.20	0.45 ±0.20
1210	3.20 ±0.20	2.50 ±0.20	0.55 ±0.15	0.50 ±0.20	0.50 ±0.20
2010	5.00 ±0.20	2.50 ±0.20	0.55 ±0.10	0.60 ±0.20	0.60 ±0.20
2512	6.30 ±0.20	3.20 ±0.20	0.55 ±0.10	0.60 ±0.20	0.60 ±0.20

**RATINGS**

TYPE	Rated Power At 70°C	Max Working Voltage	Max Overload Voltage	T.C.R (PPM/°C)	Resistance Range				Jumper Rated Current	Jumper Resistance Value	Operation Temperature Range
					B(±0.1%) D(±0.5%)	F(±1%)	G(±2%)	J(±5%) K(±10%)			
RP04 (0402)	0.0625W	50V	100V	+500~-200		1Ω~9.9Ω	1Ω~9.9Ω	1Ω~9.9Ω	1	50mΩ Max	-55°C  +125°C
				+300~-300		10Ω~990Ω	10Ω~990Ω	10Ω~990Ω			
				+200~-200	10Ω~1MΩ	1KΩ~1MΩ	1KΩ~1MΩ	1KΩ~1MΩ			
RP06 (0603)	0.1W	50V	100V	+400~-400		1Ω~9.9Ω	1Ω~9.9Ω	1Ω~9.9Ω	1	50mΩ Max	
				+200~-200		10Ω~1MΩ	10Ω~10MΩ				
				+100~-100	10Ω~1MΩ	10Ω~1MΩ					
RP08 (0805)	0.125W	150V	300V	+400~-400		1Ω~9.9Ω	1Ω~9.9Ω	1Ω~9.9Ω	1	50mΩ Max	
				+200~-200		10Ω~1MΩ	10Ω~10MΩ				
				+100~-100	10Ω~1MΩ	10Ω~1MΩ					
RP12 (1206)	0.25W	200V	400V	+400~-400		1Ω~9.9Ω	1Ω~9.9Ω	1Ω~9.9Ω	2	50mΩ Max	
				+200~-200		10Ω~1MΩ	10Ω~10MΩ				
				+100~-100	10Ω~1MΩ	10Ω~1MΩ					
RP10 (1210)	0.333W	200V	400V	+400~-400		1Ω~9.9Ω	1Ω~9.9Ω	1Ω~9.9Ω	2	50mΩ Max	
				+200~-200		10Ω~1MΩ	10Ω~10MΩ				
				+100~-100	10Ω~1MΩ	10Ω~1MΩ					
RP20 (1210)	0.5W	200V	400V	+400~-400		1Ω~9.9Ω	1Ω~9.9Ω	1Ω~9.9Ω	2	50mΩ Max	
				+200~-200		10Ω~1MΩ	10Ω~10MΩ				
				+100~-100	10Ω~1MΩ	10Ω~1MΩ					
RP25 (2512)	1W	200V	400V	+400~-400		1Ω~9.9Ω	1Ω~9.9Ω	1Ω~9.9Ω	2	50mΩ Max	
				+200~-200		10Ω~1MΩ	10Ω~10MΩ				
				+100~-100	10Ω~1MΩ	10Ω~1MΩ	10Ω~10MΩ				

**EXAMPLE**



Type	
1005(0402)	RP04
1608(0603)	RP06
2012(0805)	RP08
3216(1206)	RP12
3225(1210)	RP10
5025(2010)	RP20
6332(2512)	RP25

Nominal Resistance	
E24 Series Eg. 10k=10ko 2.7 =2E70	4-Digits
E96 Series Eg. 10k=10ko 10.2 =10E2	4-Digits
Zero Ohm (Jumper)	000

Resistor Tolerance	
B	±0.1%
D	±0.5%
F	±1%
G	±2%
J	±5%
K	±10%
O	Jumper

Package	
R	Reel
B	Bulk

For resistances and capacitances  
According to IEC publication 63

E192	E96	E48	E192	E96	E48	E192	E96	E48	E192	E96	E48	E192	E96	E48	
100	100	100	169	169	169	287	287	287	487	487	487	825	825	825	
101			172			291			493			835			
102	102		174	174		294	294		499	499		845	845		
104			176			298			505			856			
105	105	105	178	178	178	301	301	301	511	511	511	866	866	866	
106			180			305			517			876			
107	107		182	182		309	309		523	523		887	887		
109			184			312			530			898			
110	110	110	187	187	187	316	316	316	536	536	536	909	909	909	
111			189			320			542			920			
113	113		191	191		324	324		549	549		931	931		
114			193			328			556			942			
115	115	115	196	196	196	332	332	332	562	562	562	953	953	953	
117			198			336			569			965			
118	118		200	200		340	340		576	576		976	976		
120			203			344			583			988			
121	121	121	205	205	205	348	348	348	590	590	590				
123			208			352			597						
124	124		210	210		357	357		604	604		E24	E12	E6	E3
126			213			361			612			10	10	10	10
127	127	127	215	215	215	365	365	365	619	619	619	11			
129			218			370			626			12	12		
130	130		221	221		374	374		634	634		13			
132			223			379			642			15	15	15	
133	133	133	226	226	226	383	383	383	649	649	649	16			
135			229			388			657			18	18		
137	137		232	232		392	392		665	665		20			
138			234			397			673			22	22	22	22
140	140	140	237	237	237	402	402	402	681	681	681	24			
142			240			407			690			27	27		
143	143		243	243		412	412		698	698		30			
145			246			417			706			33	33	33	
147	147	147	249	249	249	422	422	422	715	715	715	36			
149			252			427			723			39	39		
150	150		255	255		432	432		732	732		43			
152			258			437			741			47	47	47	47
154	154	154	261	261	261	442	442	442	750	750	750	51			
156			264			448			759			56	56		
158	158		267	267		453	453		768	768		62			
160			271			459			777			68	68	68	
162	162	162	274	274	274	464	464	464	787	787	787	75			
164			277			470			796			82	82		
165	165		280	280		475	475		806	806		91			
167			284			481			816						