

Constant Current LED Driver



Approval Marks



Australia Certificate No. : TUV16743EA

Certified

EN 61347-1:2008+A1
 EN 61347-2-13:2006
 EN 62384:2006+A1

Electronic

Parameter	Conditions	Min	Nom	Max	Unit
I/P Voltage Range		90	230	264	Vac
Input Frequency		47	50-60	63	Hz
Input Power	High Power LED	25	-	48	W
Input current	LLC40W500 UNI @230V	-	-	166	mA
	LLC40W600 UNI @230V	-	-	188	mA
	LLC40W700 UNI - LLC40W1400 UNI @230V	-	-	215	mA
Output Voltage Range	LLC40W500 UNI	-	29-58	-	Vdc
	LLC40W600 UNI	-	29-58	-	Vdc
	LLC40W700 UNI	-	29-58	-	Vdc
	LLC40W800 UNI	-	25-50	-	Vdc
	LLC40W900 UNI	-	22-44	-	Vdc
	LLC40W1000 UNI	-	20-40	-	Vdc
	LLC40W1100 UNI	-	18-36	-	Vdc
	LLC40W1200 UNI	-	17-33	-	Vdc
	LLC40W1300 UNI	-	16-31	-	Vdc
	LLC40W1400 UNI	-	14-29	-	Vdc
Output Current Range	LLC40W500 UNI	475	500	525	mA
	LLC40W600 UNI	570	600	630	mA
	LLC40W700 UNI	665	700	735	mA
	LLC40W800 UNI	760	800	840	mA
	LLC40W900 UNI	855	900	945	mA
	LLC40W1000 UNI	950	1000	1050	mA
	LLC40W1100 UNI	1045	1100	1155	mA
	LLC40W1200 UNI	1140	1200	1260	mA
	LLC40W1300 UNI	1235	1300	1365	mA
	LLC40W1400 UNI	1330	1400	1470	mA
Rated Output power	LLC40W500 UNI	14.5	-	29	W
	LLC40W600 UNI	17.5	-	35	W
	LLC40W700 UNI - LLC40W1400 UNI	20	-	40	W
THD		-	-	15	%
Efficiency	Full Load	87	-	91	%
Standby Power		-	-	1	W
Rise Time		-	-	500	ms
Start-up Delay		-	-	500	ms
Ripple current	peak to peak @ full load	-	40	-	%
Output Current Overshoot		-	-	20	%
Power Factor	Full Load	0.90	-	-	-
Protection	Over-voltage Protection		Auto recovery		
	Open-circuit Protection		Max output voltage at no load		
	Short-circuit Protection		Auto recovery		
RoHS Standard			Compliant		

100-240VAC

Constant Current LED Driver



Approval Marks



Australia Certificate No. : TUV16743EA

Certified

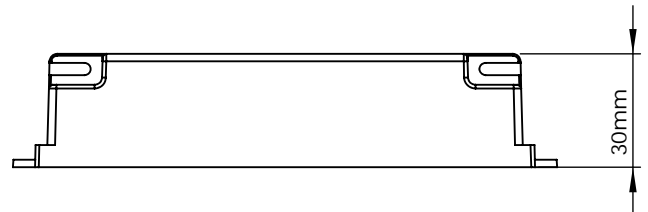
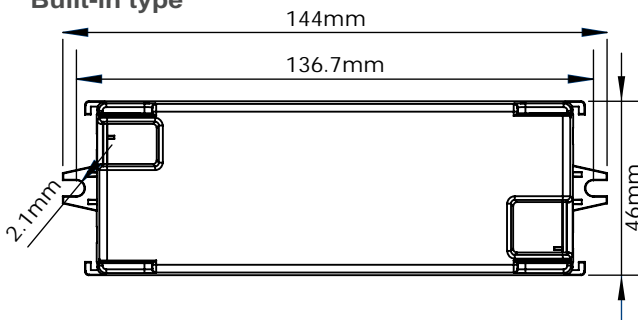
EN 61347-1:2008+A1
 EN 61347-2-13:2006
 EN 62384:2006+A1

Electronic

Parameter	Conditions	Min	Nom	Max	Unit
Case Temperature(Tc)		-	-	+85	°C
External Operating Temperature		-20	-	+50	°C
Operating humidity range		10	-	95	%
Storage Temp. range		-40	-	+85	°C
Lifetime	at Max Case hot spot Temperature	-	50,000	-	hrs
Case Dimensions	built-in type(LxWxH)	144	46	30	mm
	Independent type(LxWxH)	166.5	46	30	mm

Physical Parameter

Built-in type



100-240VAC

Constant Current LED Driver



Approval Marks



Australia Certificate No. : TUV16743EA

Certified

- EN 61347-1:2008+A1
- EN 61347-2-13:2006
- EN 62384:2006+A1

Wiring

