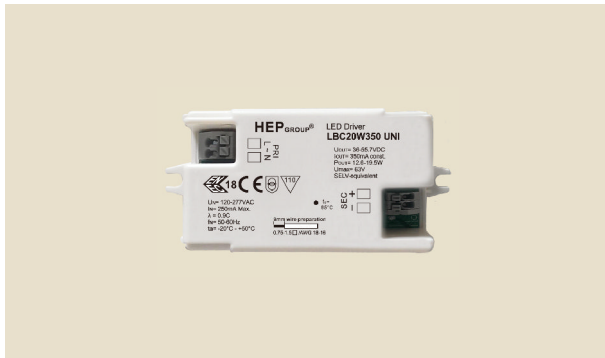


Constant Current LED Driver



Approval Marks



Australia Certificate No. : TUV017156E

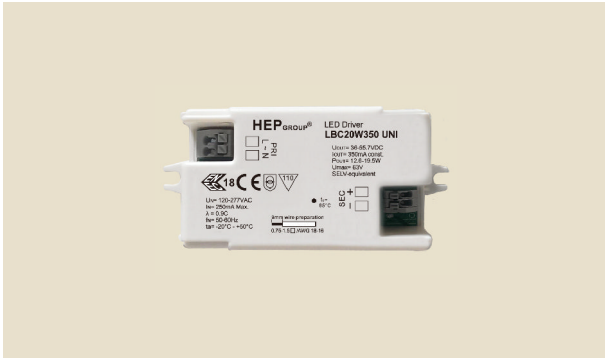
Certified

EN 61347-1:2008+A1
EN 61347-2-13:2006
EN 62384:2006+A1

Electronic

Parameter	Conditions	Min	Nom	Max	Unit
I/P Voltage Range		108	120-277	304	Vac
Input Frequency		47	50-60	63	Hz
Input Power	High Power LED	-	-	25	W
Input current	@100Vac	-	-	250	mA
Output Voltage Range	LBC20W350 UNI	-	36-55.7	-	Vdc
	LBC20W450 UNI	-	28-44	-	Vdc
	LBC20W500 UNI	-	26-40	-	Vdc
	LBC20W550 UNI	-	24-36	-	Vdc
	LBC20W600 UNI	-	21-30	-	Vdc
	LBC20W700 UNI	-	18-28	-	Vdc
Output Current Range	LBC20W350 UNI	332	350	368	mA
	LBC20W450 UNI	427	450	472	mA
	LBC20W500 UNI	475	500	525	mA
	LBC20W550 UNI	522	550	572	mA
	LBC20W600 UNI	570	600	630	mA
	LBC20W700 UNI	665	700	735	mA
Rated Output power	LBC20W350 UNI	-	12.6-19.5	-	W
	LBC20W450 UNI	-	12.6-19.8	-	W
	LBC20W500 UNI	-	13-20	-	W
	LBC20W550 UNI	-	13.2-19.8	-	W
	LBC20W600 UNI	-	12.6-18	-	W
	LBC20W700 UNI	-	12.6-19.6	-	W
THD		-	-	20	%
Efficiency	Full Load	80	-	-	%
Standby Power		-	-	1	W
Rise Time		-	-	500	ms
Start-up Delay		-	-	500	ms
Ripple current	peak to peak @ full load	-	40	-	%
Output Current Overshoot		-	-	20	%
Power Factor	Full Load	0.90	-	-	-
Protection	Over-voltage Protection		Auto recovery		
	Open-circuit Protection		Max output voltage at no load		
	Short-circuit Protection		Auto recovery		
RoHS Standard			Compliant		
Case Temperature(Tc)		-	-	+85	°C
External Operating Temperature		-20	-	+50	°C
Operating humidity range		10	-	95	%
Storage Temp. range		-40	-	+85	°C
Lifetime	at Max Case hot spot Temperature	-	50,000	-	hrs
Case Dimensions	built-in type	94	44	30	mm

Constant Current LED Driver



Approval Marks

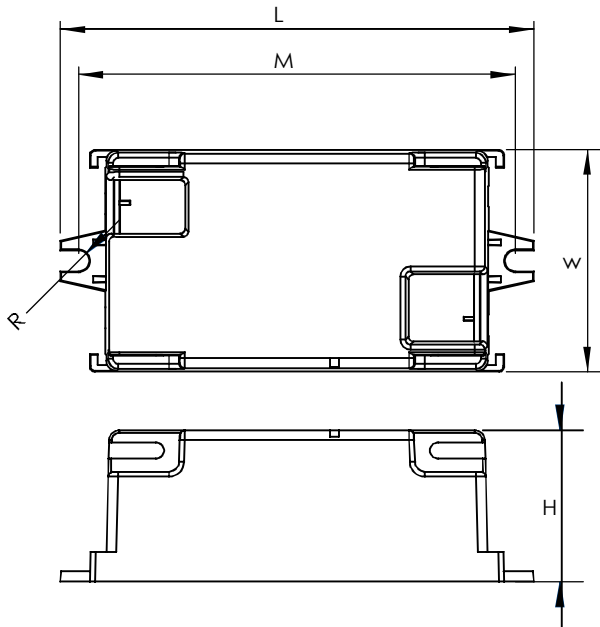


Australia Certificate No. : TUV017156E

Certified

EN 61347-1:2008+A1
 EN 61347-2-13:2006
 EN 62384:2006+A1

**Physical
 Parameter**



L : 94 mm H : 30 mm
 M : 86.7 mm R : 2.1 mm
 W : 44 mm
 Tolerance : $\geq 0 \sim 100 \geq +/0.5\text{mm}$
 $100 \geq +/1 \text{ mm}$

Terminal Block : PRI : Push Button - AWG#18-16
 SEC : Push Button - AWG#22-20

Housing Material : Polycarbonate
 Soldering : Lead-Free, Comply With RoHS
 Label : Surface Print

Wiring

