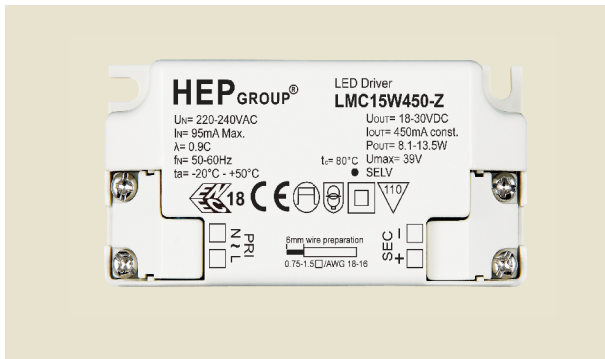


Constant current LED Driver



Approval Marks



Australia Certificate No. : TUV16776EA

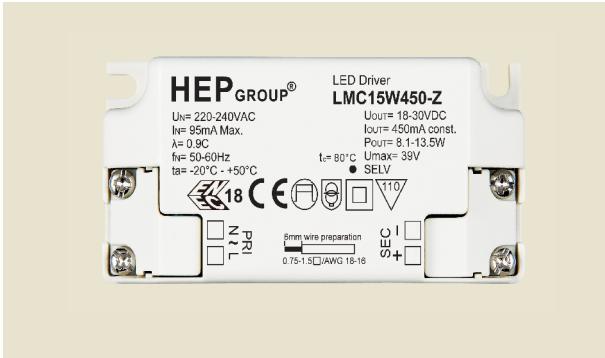
Certified

EN 61347-1:2008+A1
EN 61347-2-13:2006
EN 62384:2006+A1

Electronic

Parameter	Conditions	Min	Nom	Max	Unit
I/P Voltage Range		198	220-240	264	Vac
Input Frequency		47	50-60	63	Hz
Input Power	High Power LED	-	18.5	-	W
Input current	@230Vac	-	-	95	mA
Output Voltage Range	LMC15W300-Z	26	-	43	Vdc
	LMC15W350-Z	26	-	43	Vdc
	LMC15W450-Z	18	-	30	Vdc
	LMC15W500-Z	18	-	30	Vdc
	LMC15W600-Z	13	-	21	Vdc
	LMC15W700-Z	13	-	21	Vdc
Output Currnt Range	LMC15W300-Z	285	300	315	mA
	LMC15W350-Z	332	350	368	mA
	LMC15W450-Z	427	450	473	mA
	LMC15W500-Z	475	500	525	mA
	LMC15W600-Z	570	600	630	mA
	LMC15W700-Z	665	700	735	mA
Rated Output power	LMC15W300-Z	7.8	-	12.9	W
	LMC15W350-Z	9.1	-	15	W
	LMC15W450-Z	8.1	-	13.5	W
	LMC15W500-Z	9	-	15	W
	LMC15W600-Z	7.8	-	12.6	W
	LMC15W700-Z	9.1	-	14.7	W
THD		-	-	20	%
Efficiency	Full Load	80	-	-	%
Standby Power	No load @230Vac	-	-	0.5	W
Rise Time		-	-	500	ms
Start-up Delay		-	-	500	ms
Output Current Overshoot		-	-	20	%
Ripple current	peak to peak @ full load	-	40	-	%
Power Factor	Full Load	0.90	-	-	-
Protection	Over-voltage Protection	Auto recovery			
	Open-circuit Protection	Max output voltage at no load			
	Short-circuit Protection	Auto recovery			
Case Temperature(Tc)		-	-	+80	°C
External Operating Temperature		-20	-	+50	°C
Operating humidity range		10	-	95	%
Storage Temp. range		-40	-	+85	°C
Lifetime	at Max Case hot spot Temperature	-	50,000	-	hrs
Case Dimensions	LxWxH	85	40.4	22	mm

Constant current LED Driver



Approval Marks



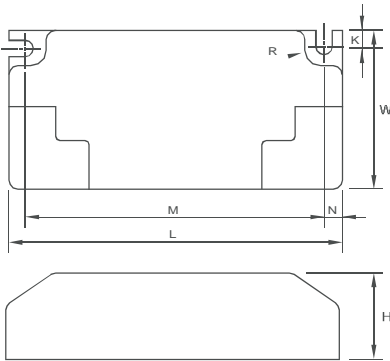
Australia Certificate No. : TUV16776EA

Certified

EN 61347-1:2008+A1
 EN 61347-2-13:2006
 EN 62384:2006+A1

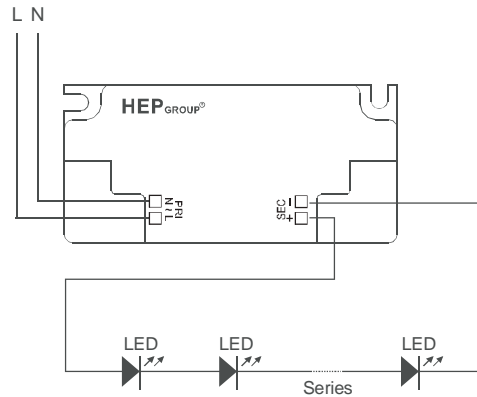
Physical

Parameter



- L : 85 mm H : 22 mm
- M : 76.4 mm K : 4.0 mm
- N : 4.6 mm R : 2.1 mm
- W : 40.4 mm Slot On One Side Allowing Alignment : M+/-3 mm
- Tolerance : ≥0 ~ 100 ≥ +/-0.5mm
- 100 ≥ +/-1 mm
- Terminal Block : PRI : Screw Type
 SEC : Screw Type
- Housing Material : Polycarbonate
- Soldering : Lead-Free, Comply With RoHS
- Label : Surface Print

Wiring Diagram



The length of wire from output to luminaire should be less than 2M