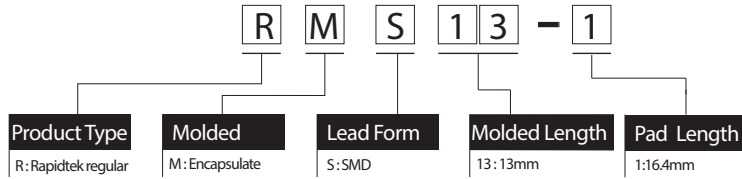
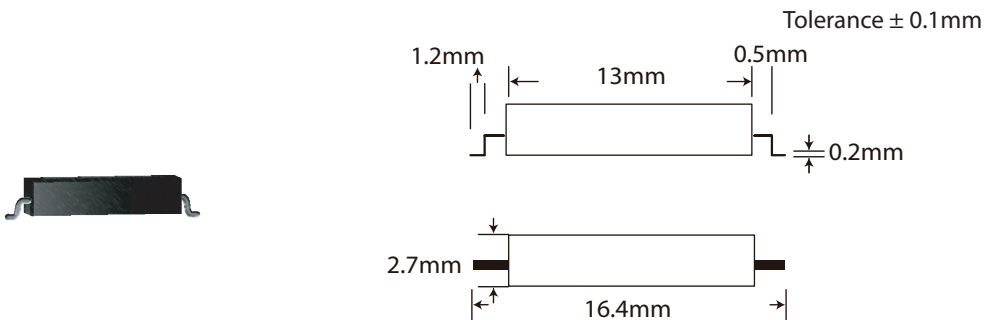


MOLDED REED SWITCH

PART NUMBER DESCRIPTION



Lead Shape



Features

- Sub-miniature normally open switch with 12.7mm x 1.8mm (0.500" x 0.071") glass envelope
- Capable of switching 200Vdc at up to 10 Watts
- 10^{12} Ohms insulation resistance
- Available sensitivity range 10-25 AT
- Surface mount version available

Electrical Characteristics

Contact Rating	Watt - max	10
Switching Voltage	Vdc - max	200 Vdc
Breakdown Voltage	Vdc - min	250 Vdc
Switching Current	A - max	0.5
Carry Current	A - max	0.8
Contact, Initial Resistance	Ω - max	0.100
Insulation Resistance	Ω - min	10^{12}
Contact Capacitance	pF - typ	0.3
Operating Temperature	$^{\circ}\text{C}$	-40 to +125
Storage Temperature	$^{\circ}\text{C}$	-65 to +125



RAPIDTEK
MOLDED REED SWITCH

Rapidtek Magnetic Devices Inc.
<http://www.rapidtek.net>
Tel : 02 - 8698 - 1068
Fax : 02 - 8698 - 1018

17F, No.75, Sec. 1, Xintai 5th Rd., Xizhi Dist., New Taipei City 22101, Taiwan (R.O.C.)

MOLDED REED SWITCH

Operating Characteristics

Operate Time	ms - max	0.6
Release Time	ms - max	0.2
Shock (11ms ½ sine wave)	G - max	100
Vibration (50 - 2000 Hertz)	G - max	30
Resonant Frequency	Hz - typ	5500

Magnetic Characteristics

Pull - In Range	Ampere Turns	10-25
Rating Sensitivity	Ampere Turns	20
Test Coil		L4989

Application

- Reed relays (particularly suited to ATE type applications)
- Security
- Limit switching
- Telephone hook switch

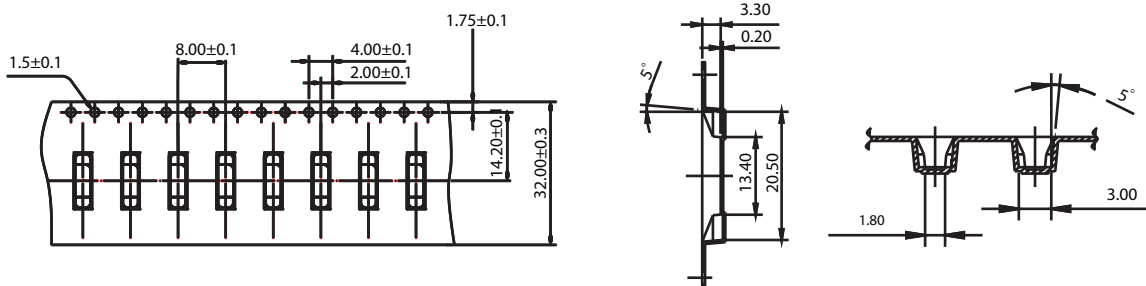
Benefits

- Hermetically sealed switch contacts are not effected by and have no effect on their external environment
- Low, stable contact resistance
- Low space requirement
- Zero operating power required for contact
- Fit and forget durability
- Well suited to signal switching applications

Packaging Dimensions

- Material : PS Black-Thickness : 0.35±0.05mm
- Packing Length Per Reel : 22 Meters
- Component Load Per Reel : 2500 Pcs

Unit : mm



RAPIDTEK
MOLDED REED SWITCH