

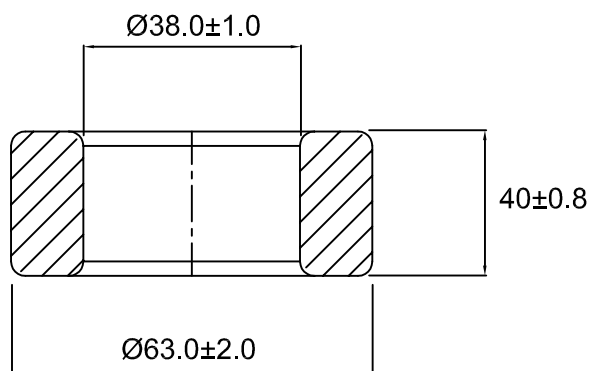
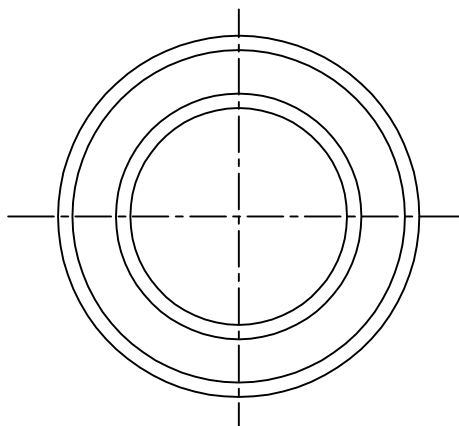
Lead Free ITEM CODE : T 6340 RoHS Compliant

FOR APPROVAL

Customer: _____

Sign./Date: _____

Stamp/Seal: _____



EFFECTIVE PARAMETERS :

Le = 152.1 mm		Ae = 489.5 mm ²		Ve = 74445 mm ³	
AL(nH) ±25%	CF195A 20000	Weight ~350 gmS			

CHECKED	A.K	T 6340	ALL DIMENTIONS ARE IN MM			
APPROVED	B.S		UNSPECIFIED DIMENSION TOLERANCES			
AUTHORISED	KSR		FOR DIMENSIONS	>	6	30
		W.E.F. : 27-06-13	≤	6	30	150
			MACHINED	+0.1	+0.2	+0.3

COSMO FERRITES LTD.
JABLI (HP)

CFR/NPD/DRG/T6340
ISSUE NO : 001