

Lead Free

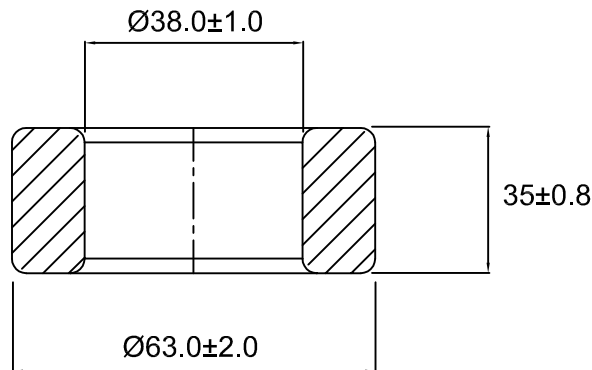
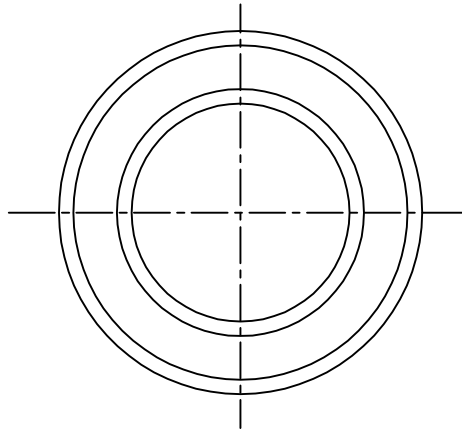
ITEM CODE :

T 6335

RoHS Compliant

FOR APPROVAL

Customer: _____
 Sign./Date: _____
 Stamp/Seal: _____



EFFECTIVE PARAMETERS :

Le = 152.1 mm		Ae = 428.3 mm ²		Ve = 65140 mm ³	
AL(nH)	CF195A	Weight			
±25%	17500	~310 gmS			

CHECKED	A.K	T 6335	ALL DIMENTIONS ARE IN MM			
APPROVED	B.S		UNSPECIFIED DIMENSION TOLERANCES			
AUTHORISED	KSR		FOR DIMENSIONS	>	6	30
		W.E.F. : 27-06-13	≤	6	30	150
			MACHINED	±0.1	±0.2	±0.3

 **COSMO FERRITES LTD.**
 JABLI (HP)

CFR/NPD/DRG/T6335
ISSUE NO : 001