

Lighting connector; Standard version; continuous service temperature 105°C

Item No.: 224-101



Lighting connector; Standard version; continuous service temperature 105°C

Marking

RoHS ✓
Compliant

Business data

Supplier	WAGO
Item no.	224-101
GTIN / EAN	4044918583817
Content	1
Order amount	100
Customer item number	

Notes

Technical data

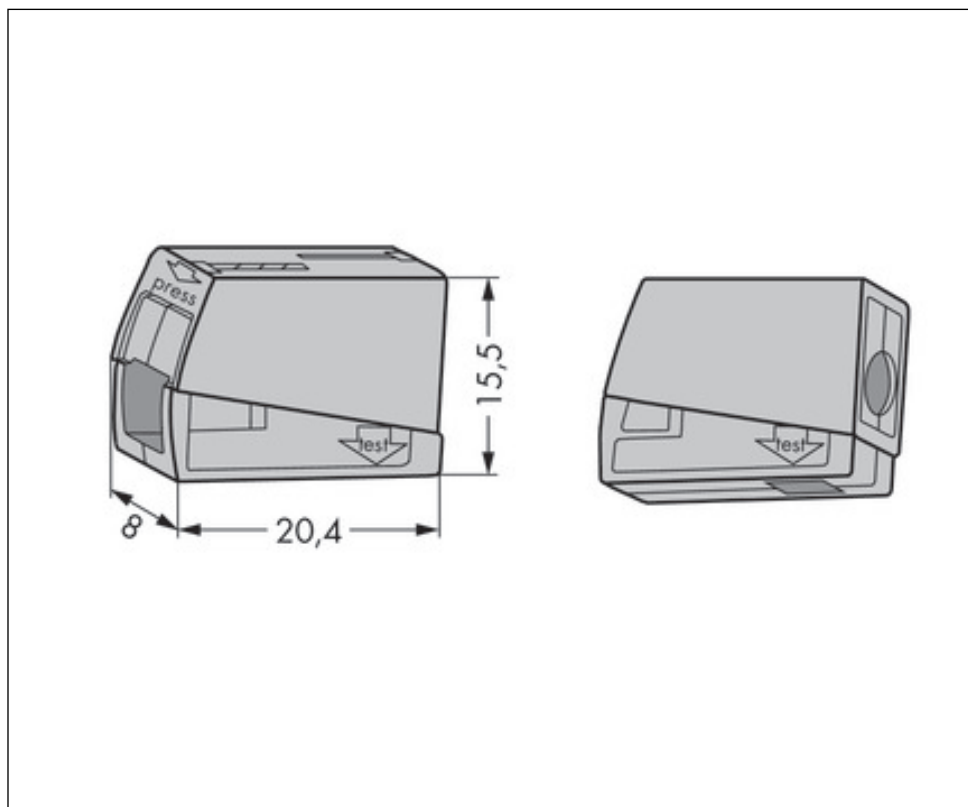
Miscellaneous

No. of poles	1
Total number of connection points	2
Total number of potentials	1
Color	gray
Pollution degree (1)	2
Nominal current [A]	24 [A]
Rated voltage EN (2) [V]	400 [V]
Rated surge voltage (2) [kV]	4 [kV]
Connector (1)	Installationsseite
Connection technology (1)	PUSH WIRE®

Technical data	
<i>Number of connection points (1)</i>	<i>1</i>
<i>Solid sizes</i>	<i>1 ... 2.5 mm² / 14 ... 12 AWG</i>
<i>Strip length</i>	<i>9 ... 11 mm / 0.35 ... 0.43 in</i>
<i>Connector (2)</i>	<i>Leuchtenseite</i>
<i>Connection type</i>	<i>CAGE CLAMP®</i>
<i>solid, connectable 2</i>	<i>0.5 ... 2.5 mm² / 20 ... 16 AWG</i>
<i>fine-stranded, connectable 2</i>	<i>0.5 ... 2.5 mm² / 20 ... 16 AWG</i>
<i>Type of wiring</i>	<i>Side-entry wiring</i>
<i>Fire load [MJ]</i>	<i>0.041 [MJ]</i>
<i>Weight [g]</i>	<i>1.778 [g]</i>
<i>Width</i>	<i>8 mm / 0.315 in</i>
<i>Height</i>	<i>15.5 mm / 0.61 in</i>
<i>Length</i>	<i>20.4 mm / 0.803 in</i>
<i>Safety information 1</i>	<i>In grounded power lines</i>

Images & drawings





Address

WAGO Kontakttechnik GmbH & Co. KG

Hansastr. 27

32423 Minden

Telefon: 0571/887-0

Fax: 0571/887-169

<http://www.wago.com>

© WAGO Kontakttechnik GmbH & Co. KG

Technische Änderungen und Irrtümer vorbehalten.