

SPECIFICATIONS SHEET

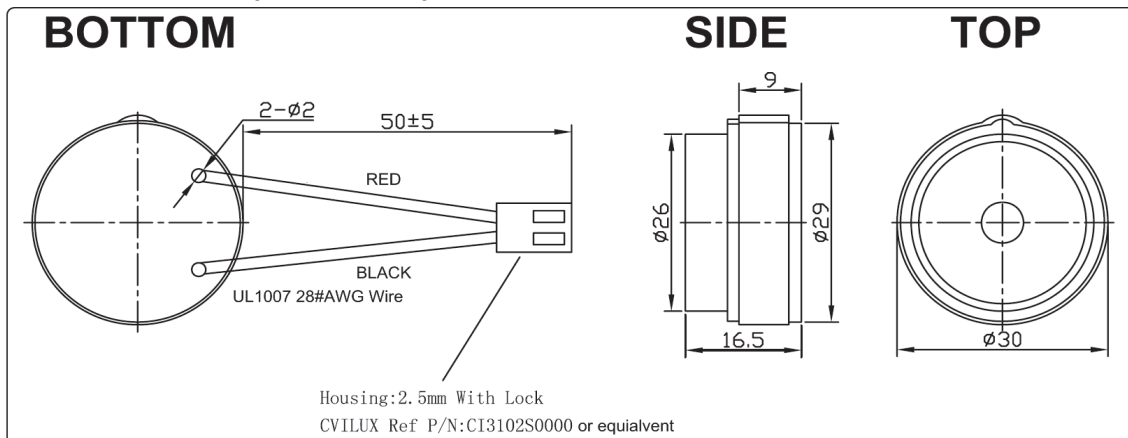
EXTERNAL DRIVE PIEZO TRANSDUCER
P/N: PT3017AAC-03

1. SPECIFICATIONS

PARAMETERS	VALUES	UNITS
*MIN SOUND PRESSURE LEVEL AT 30 CM	100	dBA
RATED VOLTAGE	9	Vdc
OPERATING VOLTAGE	3 – 28	Vdc
RESONANCE FREQUENCY	3,400 ± 500	Hz
*MAX RATED CURRENT	180	mA
CAPACITANCE AT 120Hz	25,000 ± 30%	pF
OPERATING TEMPERATURE	-20 to +60	°C
STORAGE TEMPERATURE	-30 to +70	°C
HOUSING	ABS	-
WEIGHT	8	g

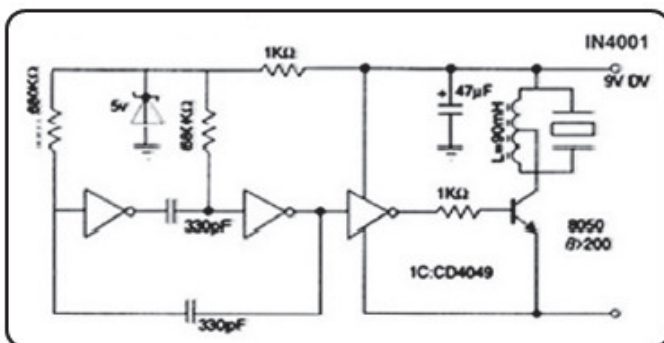
*Value applying rated voltage (sine wave) and resonance frequency on testing circuit

2. DIMENSIONS (unit in mm)



Tolerance: ±0.5mm except specified

3. TESTING CIRCUIT



VERSION: 01

DATE: 10-Apr-13

All specifications subject to change without notice

CopyRight © 2013 Sound Components Limited

Page 2 of 2