

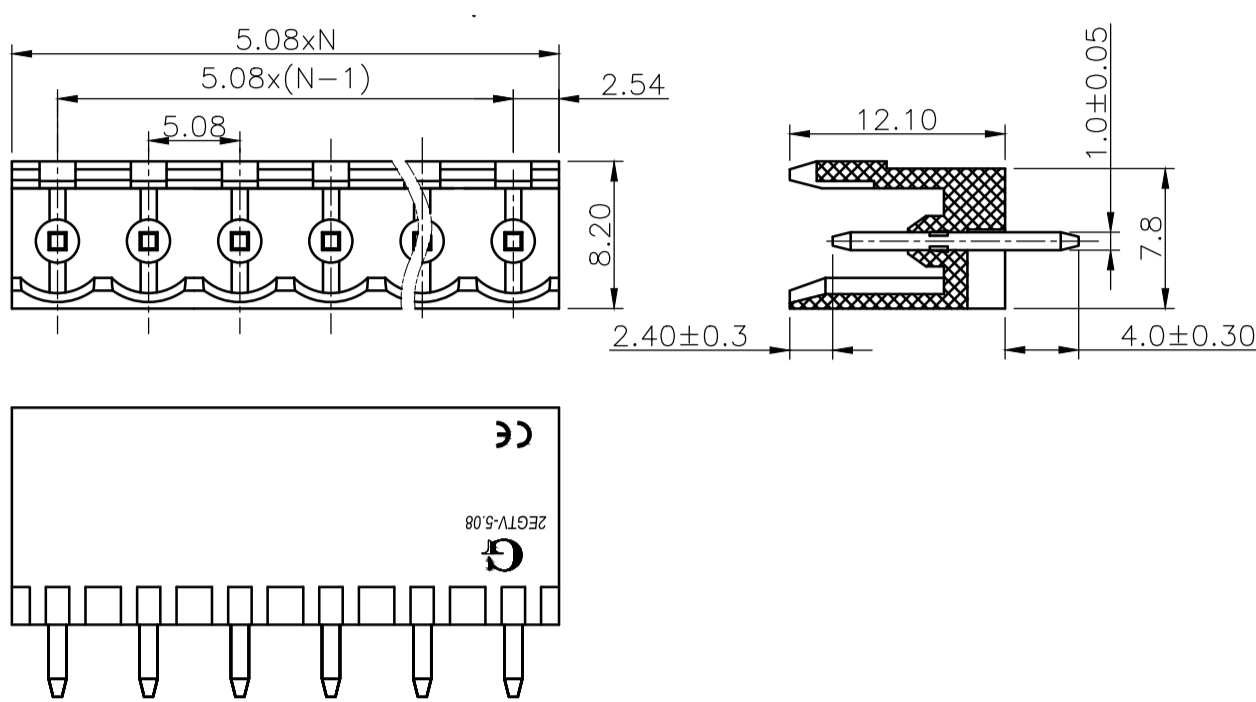
APPROVALS: **RoHS** (submitted) (submitted)

### PART NO.: 2EGTV-5.08

- Pluggable Terminal Block,
- Nominal Current (IEC): 20A
- Rated Voltage (IEC): 320V
- Number of Positions: 2P-24P
- Standard Color: Green
- Contact Surface: Tin
- Connection Method: Soldering



### DRAWINGS:



www.cngolten.com  
golten@cngolten.com

Tel: +86-574-63204122

1/3  
18/5/2013

### TECHINICAL DATA:

Electrical		
Standard	UL	IEC
Rated voltage	300V	320V
Rated current	15A	20A
Rated impulse voltage	4.0KV	
Mechanical		
Ambient temperature	-40℃~+105℃	
Dimensions		
Pitch	5.08mm(.200")	
Poles	2P-24P	
Material		
Housing	PA66.UL94V-0	
Pin header	Brass,Tin plated	

### APPLICATION:

Elevator, Industry, Security, Instrument, Machinery, Energy, Communication, Lighting, Construction, Electrical

### MATCHING PARTS:

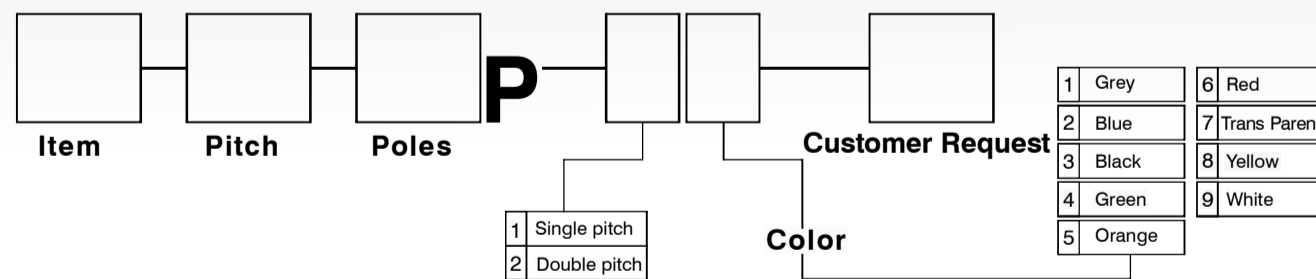
female parts \ male parts	2EGTK-5.08	2EGTKM-5.08	2EGTKA-5.08	2EGTKAM-5.08	2EGTKB-5.08	2EGTKBM-5.08	2EGTKD-5.08	2EGTKDM-5.08
2EGTV-5.08	•	•	•	•	•	•	•	•

www.cngolten.com  
golten@cngolten.com

Tel: +86-574-63204122

2/3  
18/5/2013

### HOW TO ORDER:



### PACKING:

Item	Number of Poles	PCS/Box A	PCS/Box B	PCB/Carton	GW/CTNS(KG)
2EGTV-5.08	2		2000	8000	7
	3		1600	6400	8
	4		1000	4000	8
	5		1000	4000	8
	6		1440	5760	12
	7		1075	4300	12
	8		1012	4048	11
	9		800	3200	11
	10		750	3000	12
	11		650	2600	11
	12		625	2500	12
	13		575	2300	12
	14		500	2000	11
	15		475	1900	12
	16		450	1800	12
	17		450	1800	13
	18		400	1600	12
	19		375	1500	12
	20		325	1300	11
	21		325	1300	12
	22		300	1200	11
	23		300	1200	12
	24		300	1200	12

**Remark:** Box A Dimension: 20\*13.5\*7(cm); Box B Dimension: 26\*20\*10(cm)  
Carton Dimension: 42\*28\*23(cm)

www.cngolten.com  
golten@cngolten.com

Tel: +86-574-63204122

3/3  
18/5/2013