

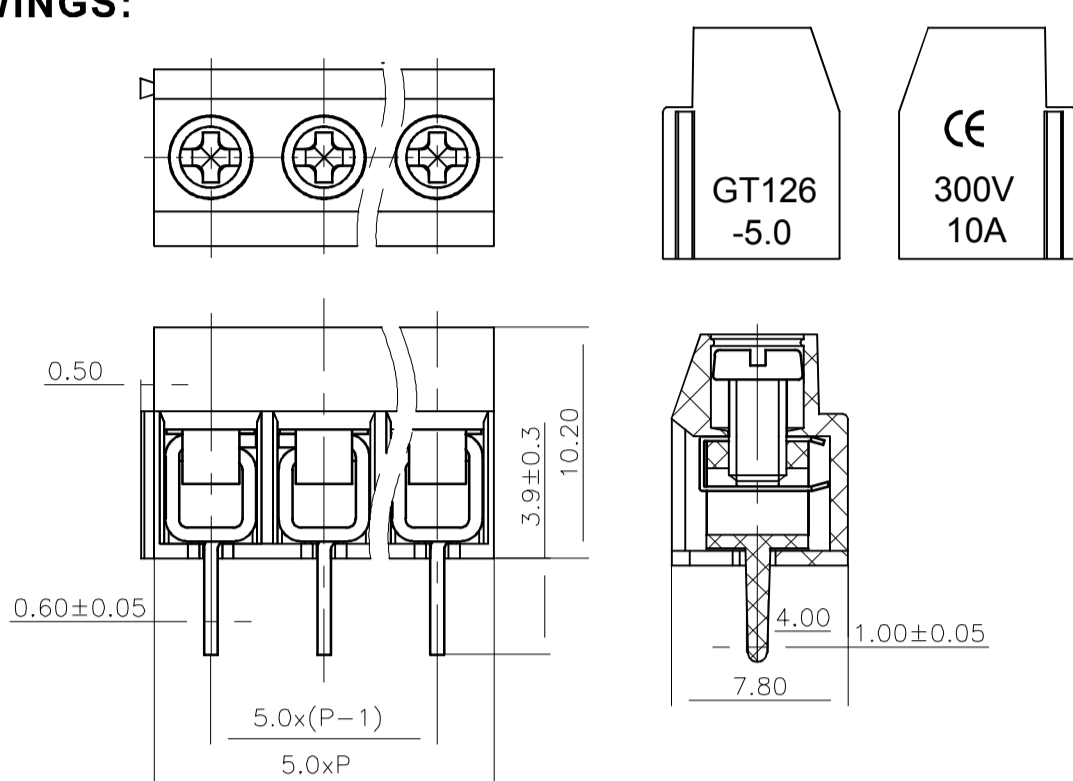
APPROVALS: **RoHS** (submitted) (submitted)

PART NO.: GT126-5.0



- PCB Screw Terminal Block
- Nominal Current (IEC): 18A
- Rated Voltage (IEC): 250V
- Number of Positions: 2P,3P-24P
- Standard Color: Green
- Contact Surface: Tin
- Connection Method: Screw Connection

DRAWINGS:



www.cngolten.com
golten@cngolten.com Tel: +86-574-63204122

1/3
18/5/2013

TECHNICAL DATA:

Electrical		
Standard	UL	IEC
Rated voltage	300V	250V
Rated current	10A	18A
Wire range	26-14AWG	0.5-2.5mm ²
With standing voltage	AC2000V/1Min	
Mechanical		
Torque	0.4Nm(3.5Lb-In.)	
Ambient temperature	-40°C~+105°C	
Strip length	6-7mm	
Dimensions		
Pitch	5.0mm(.197")	
Poles	2P, 3P-24P	
Material		
Housing	PA66.U94V-0	
Screws	M2.5,steel,Cr ³⁺ Zn Plated	
Pin header	Brass,Tin plated	
Wire guard	Stainless steel	

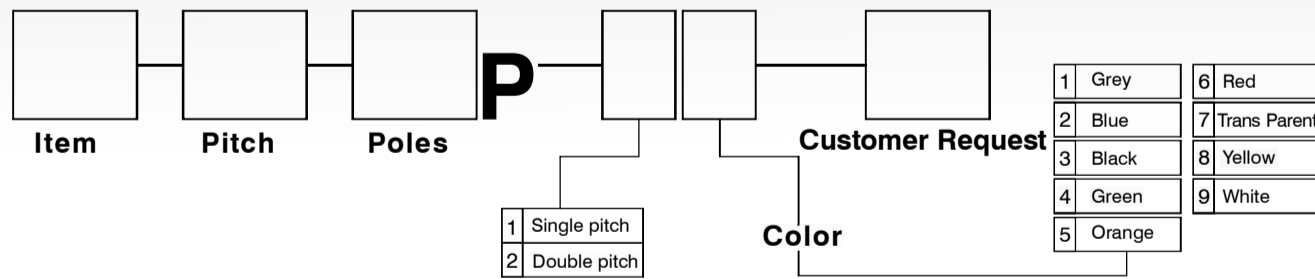
APPLICATION:

Industry Security Instrument Machinery Energy Communication, Lighting Construction, Electrical

www.cngolten.com
golten@cngolten.com Tel: +86-574-63204122

2/3
18/5/2013

HOW TO ORDER:



PACKING:

Item	Number of Poles	PCS/Box A	PCS/Box B	PCB/Carton	GW/CTNS(KG)	
GT126-5.0	2	1000		12000	18.5	
	3	600		7200	17	
	4	500		6000	20	
	5	250		3000	13	
	6			1250	6000	25
	7			1075	4300	25
	8			925	3700	25
	9			825	3300	25
	10			750	3000	25
	11			675	2700	25
	12			625	2500	25
	13			575	2300	25
	14			500	2000	23
	15			475	1900	24
	16			450	1800	24
	17			450	1800	25
	18			400	1600	24
	19			375	1500	24
	20			325	1300	22
	21			325	1300	23
	22			325	1300	24
	23			300	1200	23
	24			300	1200	24

Remark: Box A Dimension: 20*13.5*7(cm); Box B Dimension: 26*20*10(cm)
Carton Dimension: 42*28*23(cm)

www.cngolten.com
golten@cngolten.com Tel: +86-574-63204122

3/3
18/5/2013