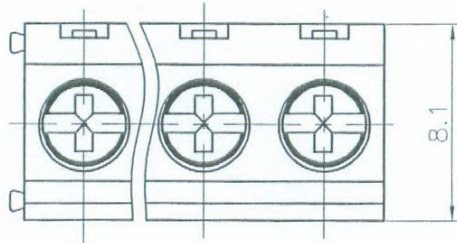


D1RFRD006

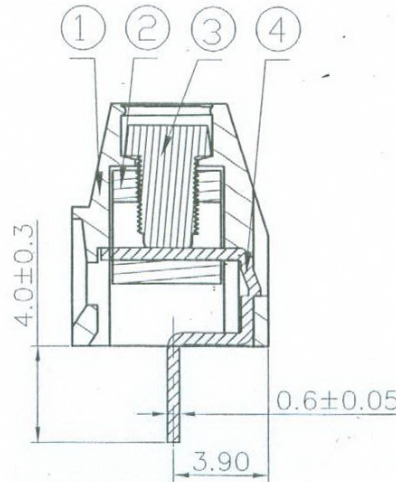
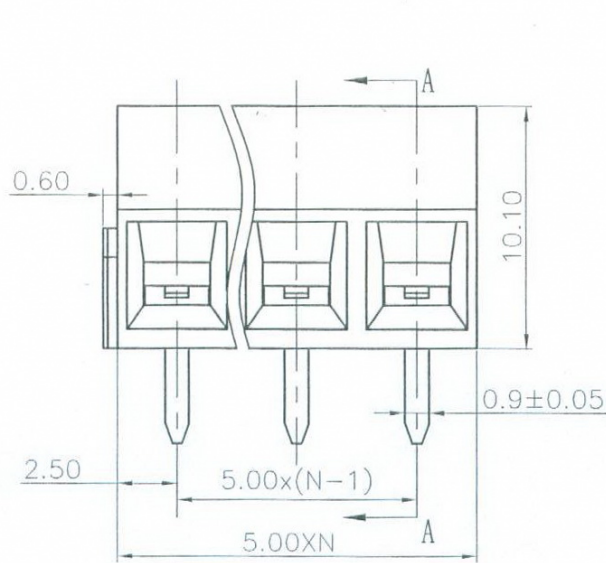
REVISION RECORD				
REV	ECD	DESCRIPTION	DRFT	DATE
△		Drawing Revise	Haoyh	02/27/06
△		增加VDE、CE标志	LJH	11/15/07
△		增加VDE参数	LJH	01/03/08



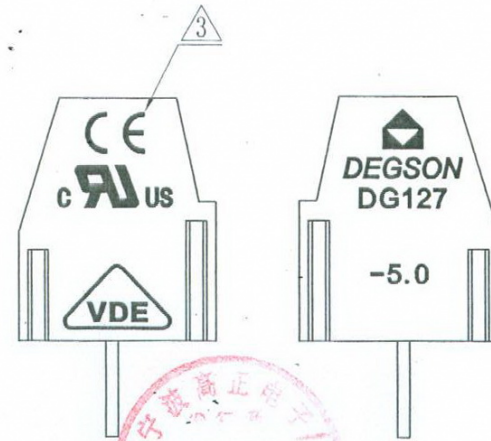
Notes:

1. pitch: 5.00mm
2. Rated voltage/current: UL 300V/12A
VDE 250V/15A
3. Insulation resistance: 5000MΩ/DC1000V
4. Withstanding voltage: AC2000V/1Min
5. Wire range: 26~14AWG 1.5mm²
6. Temp. Range: -40° c~+105° c.
7. Torque: M2.5 4.08kgf.cm
8. Undimensioned Tolerances:

Pitch range in mm			Nominal dimension range in mm					
to	over	over	to	over	over	over	over	
6	6	10	30	30	60	100	150	
6	10	24	30	60	100	150		
±0.10	±0.15	±0.25	±0.2	±0.3	±0.5	±0.7	±1.0	
							0.05/10	



SECTION A-A



4	DG127 Pin	4028B00010(H)	XX	Brass	SnCe
3	DG127 "十" Screws	S000001680(H)	XX	Steel	Cr ³ Zn
2	DG127 Cage	X000000170(H)	XX	Brass	Ni plated

ITEM	NAME OF PART	NO. OF PART	Q"TY	MATERIAL	NOTES																																																			
1	DG127-5.0 Housing	4028A0YXXA(H)	1	PA66	UL94V-0																																																			
<table border="0"> <tr> <td>MM (INCH)</td> <td>DF TO huangwei</td> <td>DATE 12/15/04</td> <td colspan="3" rowspan="4"> 宁波高正电子有限公司 DEGSOON ELECTRONICS CO., LTD </td> </tr> <tr> <td>TOLERANCES EXCEPT AS NOTED</td> <td>CHKD Hang</td> <td>DATE 01/07/08</td> </tr> <tr> <td></td> <td>MFO</td> <td>DATE</td> </tr> <tr> <td></td> <td>APPVL leg</td> <td>DATE 01/10/08</td> </tr> <tr> <td colspan="3">MATERIAL:</td> <td colspan="3">NAME</td> </tr> <tr> <td colspan="3">ANGLES ± 1°</td> <td colspan="3">DG127-5.0-XXP-1Y-02A(H)</td> </tr> <tr> <td colspan="3">FINISH:</td> <td colspan="3">DRAWING NDL DG127-5.0-E02</td> </tr> <tr> <td colspan="3">THIRD ANGLE PROJECTION</td> <td colspan="3">/PART NDL</td> </tr> <tr> <td colspan="3">SCALE: 1:1</td> <td colspan="3">DO NOT SCALE DRAWING</td> </tr> <tr> <td colspan="3"></td> <td colspan="2">SHEET 1</td> <td>OF 1</td> </tr> </table>						MM (INCH)	DF TO huangwei	DATE 12/15/04	宁波高正电子有限公司 DEGSOON ELECTRONICS CO., LTD			TOLERANCES EXCEPT AS NOTED	CHKD Hang	DATE 01/07/08		MFO	DATE		APPVL leg	DATE 01/10/08	MATERIAL:			NAME			ANGLES ± 1°			DG127-5.0-XXP-1Y-02A(H)			FINISH:			DRAWING NDL DG127-5.0-E02			THIRD ANGLE PROJECTION			/PART NDL			SCALE: 1:1			DO NOT SCALE DRAWING						SHEET 1		OF 1
MM (INCH)	DF TO huangwei	DATE 12/15/04	宁波高正电子有限公司 DEGSOON ELECTRONICS CO., LTD																																																					
TOLERANCES EXCEPT AS NOTED	CHKD Hang	DATE 01/07/08																																																						
	MFO	DATE																																																						
	APPVL leg	DATE 01/10/08																																																						
MATERIAL:			NAME																																																					
ANGLES ± 1°			DG127-5.0-XXP-1Y-02A(H)																																																					
FINISH:			DRAWING NDL DG127-5.0-E02																																																					
THIRD ANGLE PROJECTION			/PART NDL																																																					
SCALE: 1:1			DO NOT SCALE DRAWING																																																					
			SHEET 1		OF 1																																																			
<table border="0"> <tr> <td>SIZE</td> <td>REV</td> </tr> <tr> <td>A3</td> <td>T4</td> </tr> <tr> <td></td> <td>01/03/08</td> </tr> </table>						SIZE	REV	A3	T4		01/03/08																																													
SIZE	REV																																																							
A3	T4																																																							
	01/03/08																																																							