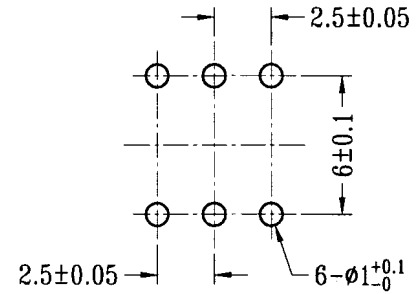
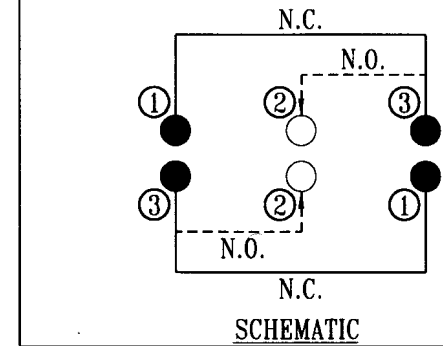
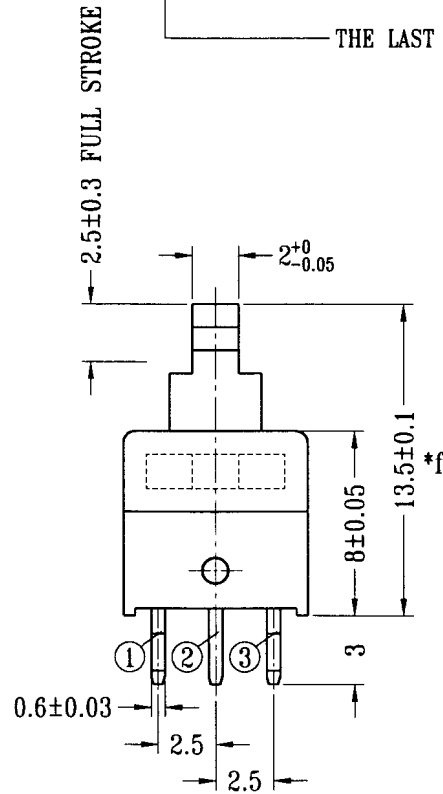
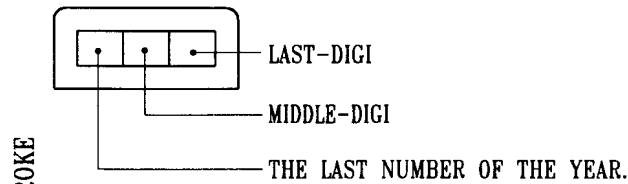
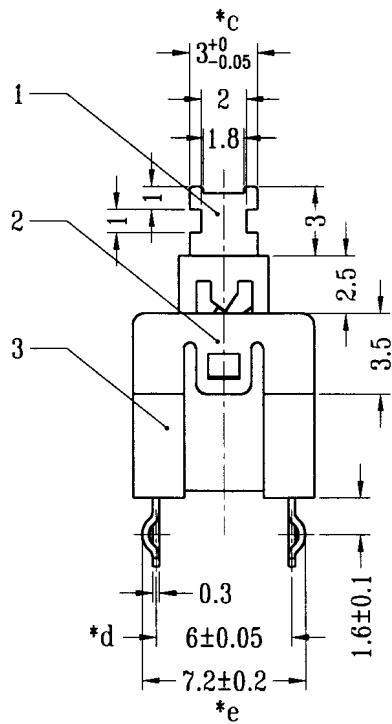
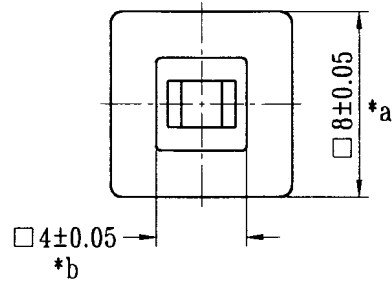


CAD FILE:



P.C.B LAYOUT

Rating: DC30V 0.1A

注: "*"表示關鍵尺寸(6個).

8					TOLERANCE				
7					UNLESS SPECIFIED				
6					WITHIN: 1.5±0.1mm				
5	SPRING	SUS	1	TEMPER	OVER: 1.5±0.2mm	ISSUE	DATE	DESCRIPTIONS	AfPD.
4	CONTACT	C5210R-EH	2	Ag CLAD	TITLE: VERTICAL PUSH SWITCH		UNIT: MM	DRWG NO.: SF-DR-PB22E88-00	
3	CASE	PBT/BRASS STRIP	1	BLACK/Ag PLATED	MODEL: PB-22E88 (NO LOCKED)		SCALE: 3:1	DWN.	葉學寧 26/Jul/2003
2	COVER	POM	1	WHITE	WEALTH METAL FACTORY LTD.		CHK'D	[Signature] 26-Jul-2003	
1	KNOB	POM	1	BLACK			APPD.	[Signature] 26-Jul-2003	
NO.	PART NAME	MATERIAL	Q'TY	FINISHING					