

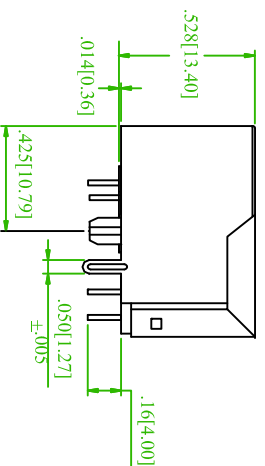
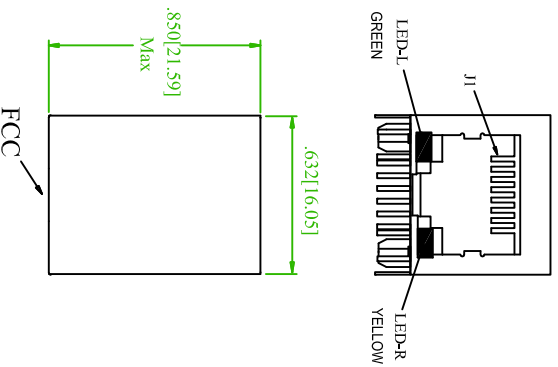
Feature:

- Complies with IEEE standards and all 10/100 Ethernet specifications including 350uH with 8mA DC bias
- Integrated Mag-modular design provides higher reliability and conserves minimizing PCB space
- Housing: Thermoplastic PBT+30%GF UL94V0 rated
- Contact :Phosphor Bronze C5191, Thickness=0.35mm plated Nickel 30u" Min, Gold plated on content area 6u" Min
- Input Terminal : Brass, Thickness=0.35mm
- Finish : 120u" min Tin over 50u" min Nickel
- Metal shielding:Copper alloy with Nickel plated(C2680), Thickness=0.20mm Ni 30u" Min
- Different color of LEDs option available
- Operating temperature:0oC to +70oC
- Storage temperature: -40oC to +85oC

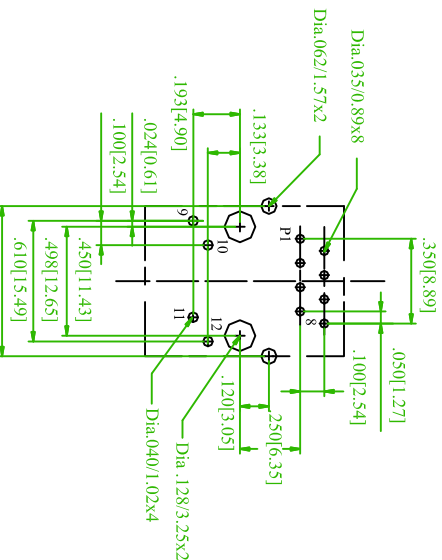
Electrical Specifications: (25°C)

1. Turns Ratio: TX & Rx= 1:1±5%	4. Common Mode Rejection: @1~100MHz: -30dB Min @200MHz: -20dB Min
2. Insertion Loss: @1~80MHz: -1.0dB Max @ 100MHz:-1.2dB Max	5. Crosstalk: @1~100MHz: -35dB Min @100KHz, 0.1V
3. Return Loss: @1~30MHz: -20dB Min @ 60~80MHz: -12dB Min	6. OCL: @100KHz, 0.1V 8mADC: 350uH Min
	7. Hi-Pot: 1200VAC, 1mA, 1Sec

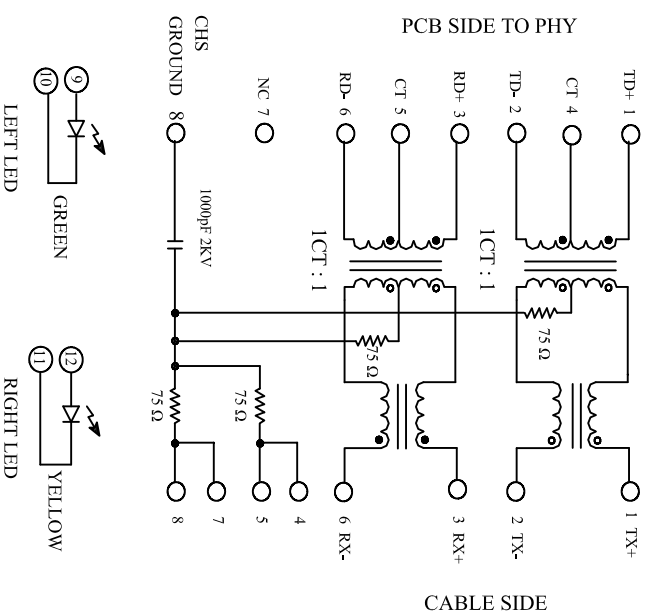
1. Mechanical Dimensions:




2. PCB Layout (Unit: mm)



8. Schematics



AREA	REV.	DESCRIPTION	DATE



Amitek 耀德精密有限公司
 Technology Co., Ltd.
 TEL: 886-2-2686806
 FAX: 886-2-2686805

品名 TITLE	品號 PART NO.	圖號 DRAWING NO.	客戶品號 CUSTOMER P/N	公差 TOLERANCE	單位 UNIT	核對 CHECKED	核准 APPROVED
RJ45 Connector	TMRJU01L-08A0-GY-L	TMRJU01L-08A0-GY-L		.X ±0.30 .XX ±0.25	mm	Yvonne	James
		版本 REV.	比例 SCALE			繪圖 DRAWN	
		A	FREE			Joe	
		日期 DATE					2012/04/16