



PRODUCT DATA APPROVAL SHEET

Core- RM6S

Cosmo Ferrites Ltd. - INDIA

Appearance & Shape: To be free from any defect such as flow, burrs, unevenness etc, As per IEC standards.

Effective Parameters irrespective of material grade (per set)

- Effective Length (L_e): 28.6mm
- Effective Area (A_e): 36.6mm²
- Effective Area (A_{Min}): 34.8mm²
- Effective Volume (V_e): 1050mm³

Approximate weight (without Gap): 5.5g/Set



RM6S Un-gapped (OL)

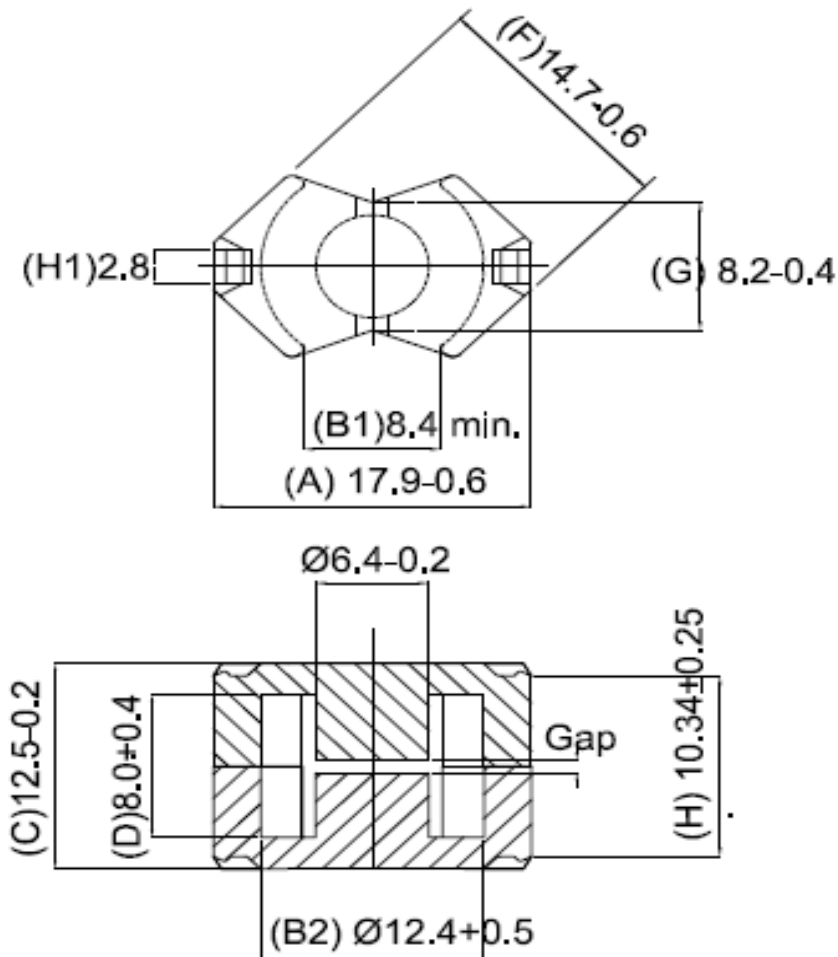
Test Conditions: 1kHz/1mT/CFR COIL,N=10/25°C

Material Grade	Initial Permeability (μ_{iac})	AL Value (nH)/Set	Ordering code
CF140	2500 \pm 20%	1900 +30%/-20%	CF140RM6S

RM6S Gapped

Test Conditions: 1kHz/300mV/CFR COIL,N=10/25°C

Material Grade	AL Value in nH/Set	S, T **)		D **)		Ordering Code
		Gap Approx. (mm)/Pc	μ_e Approx./Set	Gap Approx. (mm)/Pc	μ_e Approx./Set	
CF140	400 \pm 8%	\approx 0.10	\approx 256	-	-	CF140RM6S AL400S



For Cosmo Ferrites Limited-INDIA

Checked By: A.K.
 Approved By: B.S.
 Authorized By: KSR
 Date: 08-12-2015(ISSUE NO.1)

Customer's Approval

Authorized Signatory:
 Name:
 Date:

NOTE: Please send this Data Sheet back to Cosmo Ferrites Ltd. after approval. If not received back within 15 days, it will be presumed that all the specifications given in the consent/data sheet are acceptable to the concerned.