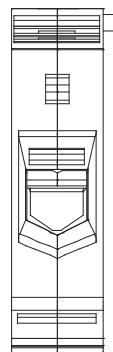
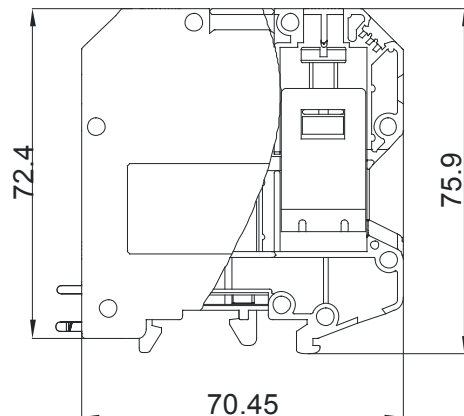
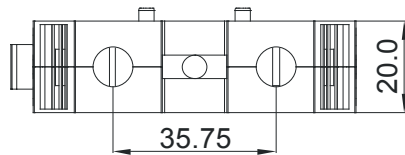
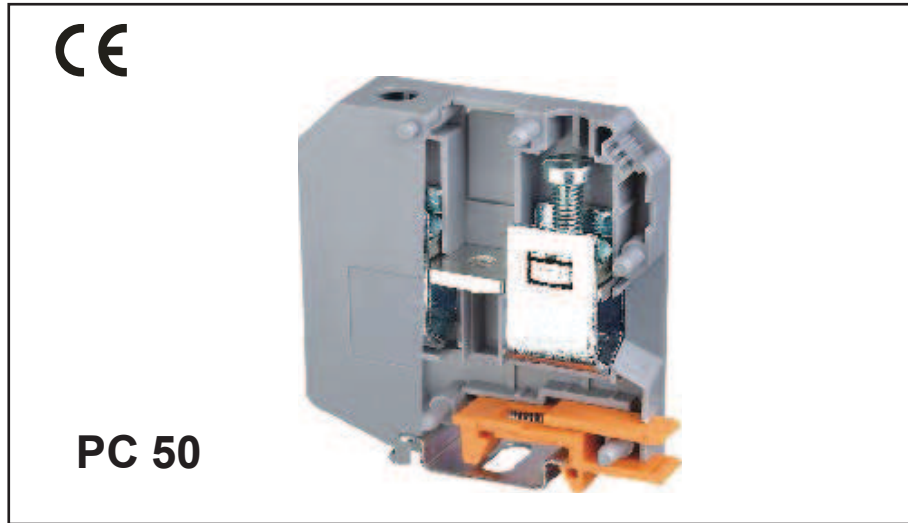




DEGSON ELECTRONICS CO., LTD.

Product Specification



Approval		
Capability		
Standard	UL	IEC
Rated Voltage	600V	1000V
Rated Current	125A	150A
Wire size	6-1/0AWG	25-50mm ²
T/W/End plate		20/70.5/-mm
Height(mm)(NS35:7.5/NS35:15/NS32)		-/83.5/81.5mm
Rated surge voltage/Contamination Class		8KV/3
Stripping length		24mm
Screw thread/Tightening torque		M6/2.5N.m/22Lb-in
Internal cylindrical gage		B10
Insulating Material/Inflammability class		PA/V-0

Specification	Model	Pieces
(1)Terminal block 2P	PC 50	10
(2)Fixed bridge 3P 10P	FBI 2-20 FBI 3-20	10 10
(3)Insertion bridge 2P 3P		
(4)Pick-off terminal block	AGK 10-PC50	10
(5)Insertion profile	PC50EP	10
(6)End bracket	E/AL-NS32 E/AL-NS35	10 10
(7)Hexagon screw wrench		
(8)Zack strip	ZB 10	200

HOW TO ORDER :



Series No.

No. of pole

Color

1	Gray	4	Green	7	Trans-parent
2	Blue	5	Orange	8	Yellow
3	Black	6	Red	9	white

	DEGSON ELECTRONICS CO., LTD.
	NAME PC 50