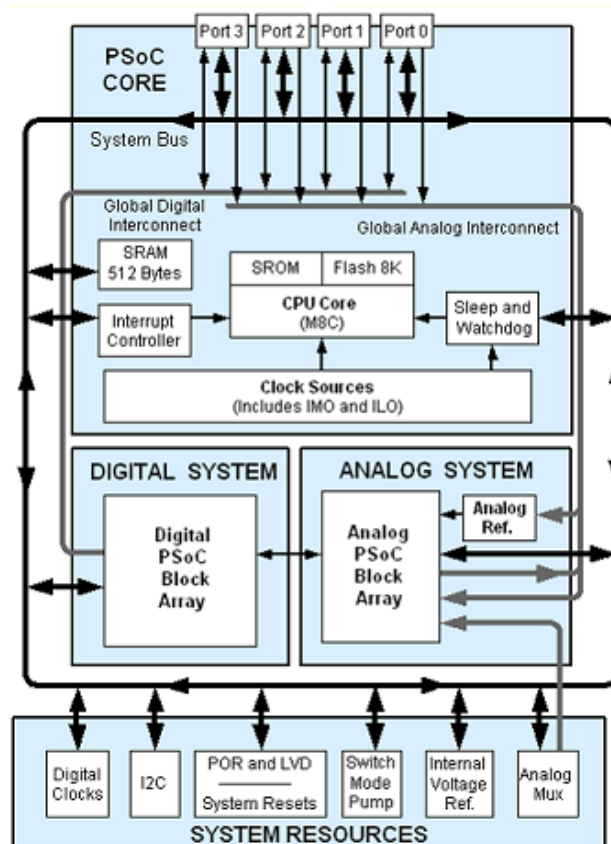


## Features

- Powerful Harvard-architecture processor
  - M8C processor speeds up to 24 MHz
  - Low power at high speed
  - Operating voltage: 2.4 V to 5.25 V
  - Operating voltages down to 1.0 V using on-chip switch mode pump (SMP)
  - Industrial temperature range: -40 °C to +85 °C
- Advanced peripherals (PSoC<sup>®</sup> blocks)
  - Four analog Type E PSoC blocks provide:
    - Two comparators with digital-to-analog converter (DAC) references
    - Single or dual 10-bit 28 channel analog-to-digital converters (ADC)
  - Four digital PSoC blocks provide:
    - 8- to 32-bit timers, counters, and pulse width modulators (PWMs)
    - Cyclical redundancy check (CRC) and pseudo random sequence (PRS) modules
    - Full-duplex universal asynchronous receiver transmitter (UART), serial peripheral interface (SPI) master or slave
    - Connectable to all general purpose I/O (GPIO) pins
  - Complex peripherals by combining blocks
- Flexible on-chip memory
  - 8 KB flash program storage 50,000 erase/write cycles
  - 512 bytes static random access memory (SRAM) data storage
  - In-system serial programming (ISSP)
  - Partial flash updates
  - Flexible protection modes
  - EEPROM emulation in flash
- Complete development tools
  - Free development software (PSoC Designer™)
  - Full-featured, in-circuit emulator (ICE) and programmer
  - Full-speed emulation
  - Complex breakpoint structure
  - 128-KB trace memory
- Precision, programmable clocking
  - Internal ±2.5% 24- / 48-MHz main oscillator [1]
  - Internal oscillator for watchdog and sleep
- Programmable pin configurations
  - 25-mA sink, 10-mA source on all GPIOs
  - Pull-up, pull-down, high Z, strong, or open-drain drive modes on all GPIOs

- Up to eight analog inputs on GPIOs
- Configurable interrupt on all GPIOs
- Versatile analog mux
  - Common internal analog bus
  - Simultaneous connection of I/O combinations
  - Capacitive sensing application capability
- Additional system resources
  - I<sup>2</sup>C [2] master, slave, and multi-master to 400 kHz
  - Watchdog and sleep timers
  - User-configurable low-voltage detection (LVD)
  - Integrated supervisory circuit
  - On-chip precision voltage reference

## Logic Block Diagram



**Errata:** For information on silicon errata, see "Errata" on page 49. Details include trigger conditions, devices affected, and proposed workaround.

### Notes

1. **Errata:** The worst case IMO frequency deviation when operated below 0 °C and above +70 °C and within the upper and lower datasheet temperature range is ±5%.
2. **Errata:** The I<sup>2</sup>C block exhibits occasional data and bus corruption errors when the I<sup>2</sup>C master initiates transactions while the device is transitioning in to or out of sleep mode.

## More Information

Cypress provides a wealth of data at [www.cypress.com](http://www.cypress.com) to help you to select the right PSoC device for your design, and to help you to quickly and effectively integrate the device into your design. For a comprehensive list of resources, see the knowledge base article, [How to Design with PSoC® 1, PowerPSoC®, and PLC – KBA88292](#). Following is an abbreviated list for PSoC 1:

- Overview: PSoC Portfolio, PSoC Roadmap
- Product Selectors: [PSoC 1](#), [PSoC 3](#), [PSoC 4](#), [PSoC 5LP](#)
- In addition, PSoC Designer includes a device selection tool.
- Application notes: Cypress offers a large number of PSoC application notes covering a broad range of topics, from basic to advanced level. Recommended application notes for getting started with PSoC 1 are:
  - [Getting Started with PSoC® 1 – AN75320](#)
  - [PSoC® 1 - Getting Started with GPIO – AN2094](#)
  - [PSoC® 1 Analog Structure and Configuration – AN74170](#)
  - [PSoC® 1 Switched Capacitor Analog Blocks – AN2041](#)
  - [Selecting Analog Ground and Reference – AN2219](#)

**Note:** For CY8C21x34B devices related Application note please click [here](#).

- Development Kits:
  - [CY3210-PSoCEval1](#) supports all PSoC 1 Mixed-Signal Array families, including automotive, except CY8C25/26xxx devices. The kit includes an LCD module, potentiometer, LEDs, and breadboarding space.
  - [CY3214-PSoCEvalUSB](#) features a development board for the CY8C24x94 PSoC device. Special features of the board include USB and CapSense development and debugging support.

**Note:** For CY8C21x34B devices related Development Kits please click [here](#).

The [MiniProg1](#) and [MiniProg3](#) devices provide interfaces for flash programming and debug.

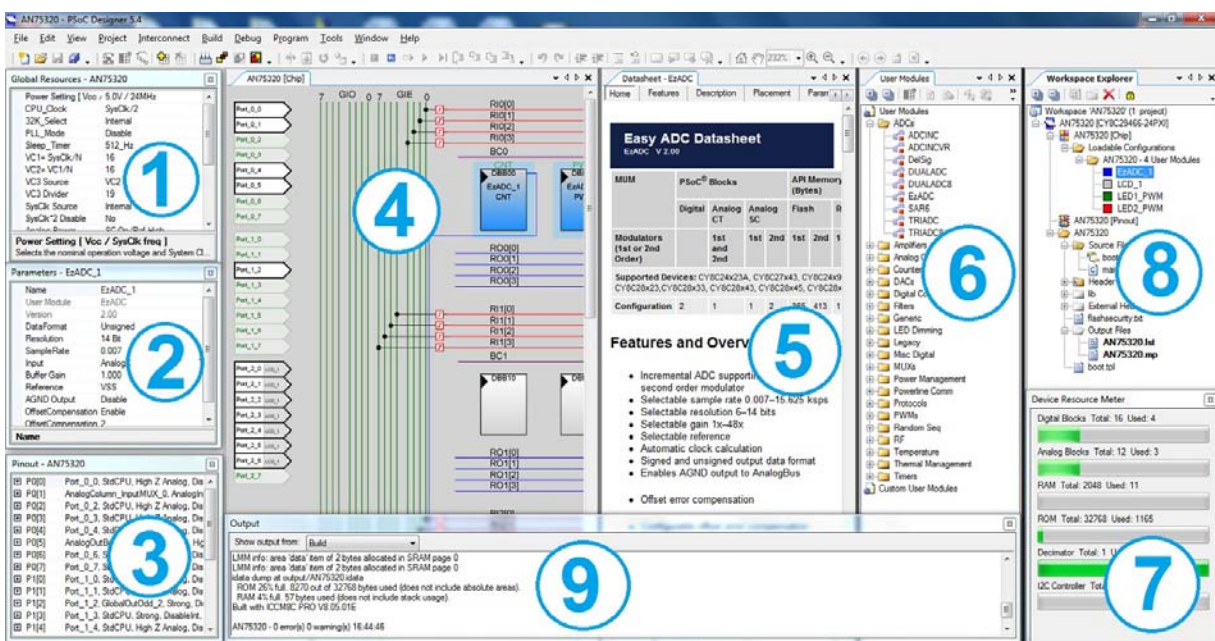
## PSoC Designer

[PSoC Designer](#) is a free Windows-based Integrated Design Environment (IDE). Develop your applications using a library of pre-characterized analog and digital peripherals in a drag-and-drop design environment. Then, customize your design leveraging the dynamically generated API libraries of code. [Figure 1](#) shows PSoC Designer windows. **Note:** This is not the default view.

1. **Global Resources** – all device hardware settings.
2. **Parameters** – the parameters of the currently selected User Modules.
3. **Pinout** – information related to device pins.
4. **Chip-Level Editor** – a diagram of the resources available on the selected chip.
5. **Datasheet** – the datasheet for the currently selected UM
6. **User Modules** – all available User Modules for the selected device.
7. **Device Resource Meter** – device resource usage for the current project configuration.
8. **Workspace** – a tree level diagram of files associated with the project.
9. **Output** – output from project build and debug operations.

**Note:** For detailed information on PSoC Designer, go to [PSoC® Designer > Help > Documentation > Designer Specific Documents > IDE User Guide](#).

Figure 1. PSoC Designer Layout



## Contents

|   |           |  |           |
|---|-----------|--|-----------|
| <b>PSoC Functional Overview</b> .....       | <b>4</b>  | <b>Absolute Maximum Ratings</b> .....                | <b>19</b> |
| The PSoC Core .....                         | 4         | <b>Operating Temperature</b> .....                   | <b>19</b> |
| The Digital System .....                    | 4         | <b>Electrical Specifications</b> .....               | <b>20</b> |
| The Analog System .....                     | 5         | DC Electrical Characteristics .....                  | 20        |
| Additional System Resources .....           | 5         | AC Electrical Characteristics .....                  | 26        |
| PSoC Device Characteristics .....           | 6         | <b>Packaging Information</b> .....                   | <b>34</b> |
| <b>Getting Started</b> .....                | <b>6</b>  | Thermal Impedances .....                             | 38        |
| Application Notes .....                     | 6         | Solder Reflow Specifications .....                   | 38        |
| Development Kits .....                      | 6         | <b>Development Tool Selection</b> .....              | <b>39</b> |
| Training .....                              | 6         | Software .....                                       | 39        |
| CYPros Consultants .....                    | 6         | Development Kits .....                               | 39        |
| Solutions Library .....                     | 6         | Evaluation Tools .....                               | 39        |
| Technical Support .....                     | 6         | Device Programmers .....                             | 40        |
| <b>Development Tools</b> .....              | <b>7</b>  | Accessories (Emulation and Programming) .....        | 40        |
| PSoC Designer Software Subsystems .....     | 7         | <b>Ordering Information</b> .....                    | <b>41</b> |
| <b>Designing with PSoC Designer</b> .....   | <b>8</b>  | Ordering Code Definitions .....                      | 42        |
| Select User Modules .....                   | 8         | <b>Acronyms</b> .....                                | <b>43</b> |
| Configure User Modules .....                | 8         | <b>Reference Documents</b> .....                     | <b>43</b> |
| Organize and Connect .....                  | 8         | <b>Document Conventions</b> .....                    | <b>44</b> |
| Generate, Verify, and Debug .....           | 8         | Units of Measure .....                               | 44        |
| <b>Pin Information</b> .....                | <b>9</b>  | Numeric Conventions .....                            | 44        |
| 16-pin Part Pinout .....                    | 9         | <b>Glossary</b> .....                                | <b>44</b> |
| CY8C21234 16-pin SOIC Pin Definitions ..... | 9         | <b>Errata</b> .....                                  | <b>49</b> |
| 20-pin Part Pinout .....                    | 10        | Part Numbers Affected .....                          | 49        |
| CY8C21334 20-pin SSOP Pin Definitions ..... | 10        | CY8C21234 Qualification Status .....                 | 49        |
| 28-pin Part Pinout .....                    | 11        | CY8C21234 Errata Summary .....                       | 50        |
| CY8C21534 28-pin SSOP Pin Definitions ..... | 11        | <b>Document History Page</b> .....                   | <b>51</b> |
| 32-pin Part Pinout .....                    | 12        | <b>Sales, Solutions, and Legal Information</b> ..... | <b>55</b> |
| CY8C21434/CY8C21634 .....                   |           | Worldwide Sales and Design Support .....             | 55        |
| 32-pin QFN Pin Definitions .....            | 13        | Products .....                                       | 55        |
| 56-pin Part Pinout .....                    | 14        | PSoC® Solutions .....                                | 55        |
| CY8C21001 56-pin SSOP Pin Definitions ..... | 14        | Cypress Developer Community .....                    | 55        |
| <b>Register Reference</b> .....             | <b>16</b> | Technical Support .....                              | 55        |
| Register Conventions .....                  | 16        |  |           |
| Register Mapping Tables .....               | 16        |  |           |

## PSoC Functional Overview

The PSoC family consists of many devices with on-chip controllers. These devices are designed to replace multiple traditional MCU-based system components with one low-cost single-chip programmable component. A PSoC device includes configurable blocks of analog and digital logic, and programmable interconnect. This architecture makes it possible for you to create customized peripheral configurations, to match the requirements of each individual application. Additionally, a fast central processing unit (CPU), flash program memory, SRAM data memory, and configurable I/O are included in a range of convenient pinouts.

The PSoC architecture, shown in [Figure 2](#), consists of four main areas: the core, the system resources, the digital system, and the analog system. Configurable global bus resources allow combining all of the device resources into a complete custom system. Each CY8C21x34 PSoC device includes four digital blocks and four analog blocks. Depending on the PSoC package, up to 28 GPIOs are also included. The GPIOs provide access to the global digital and analog interconnects.

### The PSoC Core

The PSoC core is a powerful engine that supports a rich instruction set. It encompasses SRAM for data storage, an interrupt controller, sleep and watchdog timers, and internal main oscillator (IMO) and internal low speed oscillator (ILO). The CPU core, called the M8C, is a powerful processor with speeds up to 24 MHz [3]. The M8C is a four-million instructions per second (MIPS) 8-bit Harvard-architecture microprocessor.

System resources provide these additional capabilities:

- Digital clocks for increased flexibility
- I<sup>2</sup>C [4] functionality to implement an I<sup>2</sup>C master and slave
- An internal voltage reference, multi-master, that provides an absolute value of 1.3 V to a number of PSoC subsystems
- A SMP that generates normal operating voltages from a single battery cell
- Various system resets supported by the M8C

The digital system consists of an array of digital PSoC blocks that may be configured into any number of digital peripherals. The digital blocks are connected to the GPIOs through a series of global buses. These buses can route any signal to any pin, freeing designs from the constraints of a fixed peripheral controller.

The analog system consists of four analog PSoC blocks, supporting comparators, and analog-to-digital conversion up to 10 bits of precision.

## The Digital System

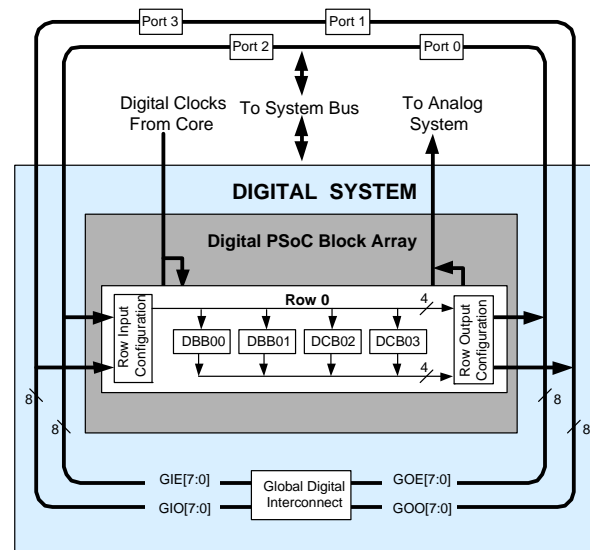
The digital system consists of four digital PSoC blocks. Each block is an 8-bit resource that is used alone or combined with other blocks to form 8-, 16-, 24-, and 32-bit peripherals, which are called user modules. Digital peripheral configurations include:

- PWMs (8- to 32-bit)
- PWMs with dead band (8- to 32-bit)
- Counters (8- to 32-bit)
- Timers (8- to 32-bit)
- UART 8- with selectable parity
- Serial peripheral interface (SPI) master and slave
- I<sup>2</sup>C slave and multi-master [4]
- CRC/generator (8-bit)
- IrDA
- PRS generators (8-bit to 32-bit)

The digital blocks are connected to any GPIO through a series of global buses that can route any signal to any pin. The buses also allow for signal multiplexing and for performing logic operations. This configurability frees your designs from the constraints of a fixed peripheral controller.

Digital blocks are provided in rows of four, where the number of blocks varies by PSoC device family. This allows the optimum choice of system resources for your application. Family resources are shown in [Table 1 on page 6](#).

**Figure 2. Digital System Block Diagram**



### Notes

3. **Errata:** The worst case IMO frequency deviation when operated below 0 °C and above +70 °C and within the upper and lower datasheet temperature range is ±5%.
4. **Errata:** The I<sup>2</sup>C block exhibits occasional data and bus corruption errors when the I<sup>2</sup>C master initiates transactions while the device is transitioning in to or out of sleep mode.



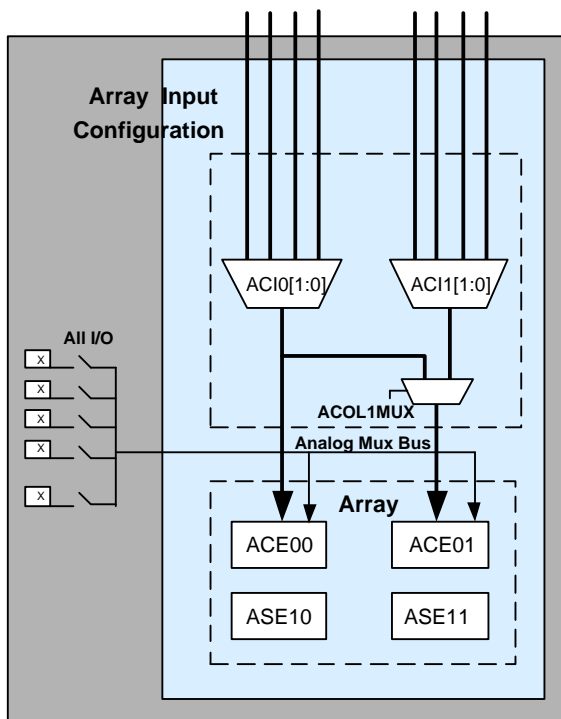
## The Analog System

The analog system consists of four configurable blocks that allow for the creation of complex analog signal flows. Analog peripherals are very flexible and can be customized to support specific application requirements. Some of the common PSoC analog functions for this device (most available as user modules) are:

- ADCs (single or dual, with 8-bit or 10-bit resolution)
- Pin-to-pin comparator
- Single-ended comparators (up to two) with absolute (1.3 V) reference or 8-bit DAC reference
- 1.3-V reference (as a system resource)

In most PSoC devices, analog blocks are provided in columns of three, which includes one continuous time (CT) and two switched capacitor (SC) blocks. The CY8C21x34 devices provide limited functionality Type E analog blocks. Each column contains one CT Type E block and one SC Type E block. Refer to the *PSoC Technical Reference Manual* for detailed information on the CY8C21x34's Type E analog blocks.

**Figure 3. Analog System Block Diagram**



## The Analog Multiplexer System

The analog mux bus can connect to every GPIO pin. Pins may be connected to the bus individually or in any combination. The bus also connects to the analog system for analysis with comparators and analog-to-digital converters. An additional 8:1 analog input multiplexer provides a second path to bring Port 0 pins to the analog array.

Switch-control logic enables selected pins to precharge continuously under hardware control. This enables capacitive measurement for applications such as touch sensing. Other multiplexer applications include:

- Track pad, finger sensing
- Chip-wide mux that allows analog input from any I/O pin
- Crosspoint connection between any I/O pin combinations

## Additional System Resources

System resources, some of which are listed in the previous sections, provide additional capability useful to complete systems. Additional resources include a switch-mode pump, low-voltage detection, and power-on-reset (POR).

- Digital clock dividers provide three customizable clock frequencies for use in applications. The clocks may be routed to both the digital and analog systems. Additional clocks can be generated using digital PSoC blocks as clock dividers.
- The I<sup>2</sup>C<sup>[5]</sup> module provides 100- and 400-kHz communication over two wires. Slave, master, and multi-master modes are all supported.
- LVD interrupts can signal the application of falling voltage levels, while the advanced POR circuit eliminates the need for a system supervisor.
- An internal 1.3-V reference provides an absolute reference for the analog system, including ADCs and DACs.
- An integrated switch-mode pump generates normal operating voltages from a single 1.2-V battery cell, providing a low cost boost converter.
- Versatile analog multiplexer system.

### Note

5. **Errata:** The I<sup>2</sup>C block exhibits occasional data and bus corruption errors when the I<sup>2</sup>C master initiates transactions while the device is transitioning in to or out of sleep mode.

## PSoC Device Characteristics

Depending on your PSoC device characteristics, the digital and analog systems can have 16, 8, or 4 digital blocks and 12, 6, or 4 analog blocks. [Table 1](#) lists the resources available for specific PSoC device groups. The PSoC device covered by this datasheet is highlighted in [Table 1](#).

**Table 1. PSoC Device Characteristics**

| PSoC Part Number | Digital I/O | Digital Rows | Digital Blocks | Analog Inputs | Analog Outputs | Analog Columns | Analog Blocks               | SRAM Size | Flash Size |
|------------------|-------------|--------------|----------------|---------------|----------------|----------------|-----------------------------|-----------|------------|
| CY8C29x66        | up to 64    | 4            | 16             | up to 12      | 4              | 4              | 12                          | 2 K       | 32 K       |
| CY8C28xxx        | up to 44    | up to 3      | up to 12       | up to 44      | up to 4        | up to 6        | up to 12 + 4 <sup>[6]</sup> | 1 K       | 16 K       |
| CY8C27x43        | up to 44    | 2            | 8              | up to 12      | 4              | 4              | 12                          | 256       | 16 K       |
| CY8C24x94        | up to 56    | 1            | 4              | up to 48      | 2              | 2              | 6                           | 1 K       | 16 K       |
| CY8C24x23A       | up to 24    | 1            | 4              | up to 12      | 2              | 2              | 6                           | 256       | 4 K        |
| CY8C23x33        | up to 26    | 1            | 4              | up to 12      | 2              | 2              | 4                           | 256       | 8 K        |
| CY8C22x45        | up to 38    | 2            | 8              | up to 38      | 0              | 4              | 6 <sup>[6]</sup>            | 1 K       | 16 K       |
| CY8C21x45        | up to 24    | 1            | 4              | up to 24      | 0              | 4              | 6 <sup>[6]</sup>            | 512       | 8 K        |
| CY8C21x34        | up to 28    | 1            | 4              | up to 28      | 0              | 2              | 4 <sup>[6]</sup>            | 512       | 8 K        |
| CY8C21x23        | up to 16    | 1            | 4              | up to 8       | 0              | 2              | 4 <sup>[6]</sup>            | 256       | 4 K        |
| CY8C20x34        | up to 28    | 0            | 0              | up to 28      | 0              | 0              | 3 <sup>[6,7]</sup>          | 512       | 8 K        |
| CY8C20xx6        | up to 36    | 0            | 0              | up to 36      | 0              | 0              | 3 <sup>[6,7]</sup>          | up to 2 K | up to 32 K |

## Getting Started

For in-depth information, along with detailed programming details, see the *PSoC<sup>®</sup> Technical Reference Manual*.

For up-to-date ordering, packaging, and electrical specification information, see the latest [PSoC device datasheets](#) on the web.

## Application Notes

[Cypress application notes](#) are an excellent introduction to the wide variety of possible PSoC designs.

## Development Kits

[PSoC Development Kits](#) are available online from and through a growing number of regional and global distributors, which include Arrow, Avnet, Digi-Key, Farnell, Future Electronics, and Newark.

## Training

[Free PSoC technical training](#) (on demand, webinars, and workshops), which is available online via [www.cypress.com](http://www.cypress.com),

covers a wide variety of topics and skill levels to assist you in your designs.

## CYPros Consultants

Certified PSoC consultants offer everything from technical assistance to completed PSoC designs. To contact or become a PSoC consultant go to the [CYPros Consultants](#) web site.

## Solutions Library

Visit our growing [library of solution focused designs](#). Here you can find various application designs that include firmware and hardware design files that enable you to complete your designs quickly.

## Technical Support

[Technical support](#) – including a searchable Knowledge Base articles and technical forums – is also available online. If you cannot find an answer to your question, call our Technical Support hotline at 1-800-541-4736.

### Notes

- Limited analog functionality.
- Two analog blocks and one CapSense<sup>®</sup>.

## Development Tools

PSoC Designer™ is the revolutionary integrated design environment (IDE) that you can use to customize PSoC to meet your specific application requirements. PSoC Designer software accelerates system design and time to market. Develop your applications using a library of precharacterized analog and digital peripherals (called user modules) in a drag-and-drop design environment. Then, customize your design by leveraging the dynamically generated application programming interface (API) libraries of code. Finally, debug and test your designs with the integrated debug environment, including in-circuit emulation and standard software debug features. PSoC Designer includes:

- Application editor graphical user interface (GUI) for device and user module configuration and dynamic reconfiguration
- Extensive user module catalog
- Integrated source-code editor (C and assembly)
- Free C compiler with no size restrictions or time limits
- Built-in debugger
- In-circuit emulation
- Built-in support for communication interfaces:
  - Hardware and software I<sup>2</sup>C [8] slaves and masters
  - Full-speed USB 2.0
  - Up to four full-duplex universal asynchronous receiver/transmitters (UARTs), SPI master and slave, and wireless

PSoC Designer supports the entire library of PSoC 1 devices and runs on Windows XP, Windows Vista, and Windows 7.

## PSoC Designer Software Subsystems

### Design Entry

In the chip-level view, choose a base device to work with. Then select different onboard analog and digital components that use the PSoC blocks, which are called user modules. Examples of user modules are ADCs, DACs, amplifiers, and filters. Configure the user modules for your chosen application and connect them to each other and to the proper pins. Then generate your project. This prepopulates your project with APIs and libraries that you can use to program your application.

The tool also supports easy development of multiple configurations and dynamic reconfiguration. Dynamic reconfiguration makes it possible to change configurations at run time. In essence, this allows you to use more than 100 percent of PSoC's resources for an application.

### Code Generation Tools

The code generation tools work seamlessly within the PSoC Designer interface and have been tested with a full range of debugging tools. You can develop your design in C, assembly, or a combination of the two.

**Assemblers.** The assemblers allow you to merge assembly code seamlessly with C code. Link libraries automatically use absolute addressing or are compiled in relative mode, and are linked with other software modules to get absolute addressing.

**C Language Compilers.** C language compilers are available that support the PSoC family of devices. The products allow you to create complete C programs for the PSoC family devices. The optimizing C compilers provide all of the features of C, tailored to the PSoC architecture. They come complete with embedded libraries providing port and bus operations, standard keypad and display support, and extended math functionality.

### Debugger

PSoC Designer has a debug environment that provides hardware in-circuit emulation, allowing you to test the program in a physical system while providing an internal view of the PSoC device. Debugger commands allow you to read and program and read and write data memory, and read and write I/O registers. You can read and write CPU registers, set and clear breakpoints, and provide program run, halt, and step control. The debugger also allows you to create a trace buffer of registers and memory locations of interest.

### Online Help System

The online help system displays online, context-sensitive help. Designed for procedural and quick reference, each functional subsystem has its own context-sensitive help. This system also provides tutorials and links to FAQs and an online support Forum to aid the designer.

### In-Circuit Emulator

A low-cost, high-functionality in-circuit emulator (ICE) is available for development support. This hardware can program single devices.

The emulator consists of a base unit that connects to the PC using a USB port. The base unit is universal and operates with all PSoC devices. Emulation pods for each device family are available separately. The emulation pod takes the place of the PSoC device in the target board and performs full-speed (24 MHz) operation.

#### Note

8. **Errata:** The I<sup>2</sup>C block exhibits occasional data and bus corruption errors when the I<sup>2</sup>C master initiates transactions while the device is transitioning in to or out of sleep mode.

## Designing with PSoC Designer

The development process for the PSoC device differs from that of a traditional fixed function microprocessor. The configurable analog and digital hardware blocks give the PSoC architecture a unique flexibility that pays dividends in managing specification change during development and by lowering inventory costs. These configurable resources, called PSoC Blocks, have the ability to implement a wide variety of user-selectable functions. The PSoC development process is summarized in four steps:

1. Select [User Modules](#).
2. Configure User Modules.
3. Organize and Connect.
4. Generate, Verify, and Debug.

### Select User Modules

PSoC Designer provides a library of prebuilt, pretested hardware peripheral components called “user modules.” User modules make selecting and implementing peripheral devices, both analog and digital, simple.

### Configure User Modules

Each user module that you select establishes the basic register settings that implement the selected function. They also provide parameters and properties that allow you to tailor their precise configuration to your particular application. For example, a PWM User Module configures one or more digital PSoC blocks, one for each 8 bits of resolution. The user module parameters permit you to establish the pulse width and duty cycle. Configure the parameters and properties to correspond to your chosen application. Enter values directly or by selecting values from drop-down menus. All the user modules are documented in datasheets that may be viewed directly in PSoC Designer or on the Cypress website. These [user module datasheets](#) explain the internal operation of the user module and provide performance

specifications. Each datasheet describes the use of each user module parameter, and other information you may need to successfully implement your design.

### Organize and Connect

You build signal chains at the chip level by interconnecting user modules to each other and the I/O pins. You perform the selection, configuration, and routing so that you have complete control over all on-chip resources.

### Generate, Verify, and Debug

When you are ready to test the hardware configuration or move on to developing code for the project, you perform the “Generate Configuration Files” step. This causes PSoC Designer to generate source code that automatically configures the device to your specification and provides the software for the system. The generated code provides application programming interfaces (APIs) with high-level functions to control and respond to hardware events at run-time and interrupt service routines that you can adapt as needed.

A complete code development environment allows you to develop and customize your applications in either C, assembly language, or both.

The last step in the development process takes place inside PSoC Designer’s debugger (access by clicking the Connect icon). PSoC Designer downloads the HEX image to the ICE where it runs at full speed. PSoC Designer debugging capabilities rival those of systems costing many times more. In addition to traditional single-step, run-to-breakpoint, and watch-variable features, the debug interface provides a large trace buffer and allows you to define complex breakpoint events. These include monitoring address and data bus values, memory locations, and external signals.

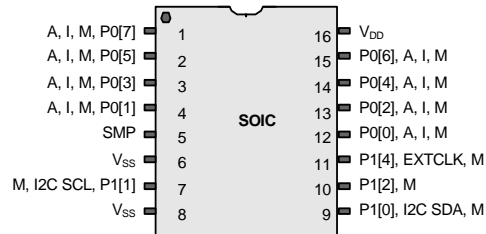


## Pin Information

The CY8C21x34 PSoC device is available in a variety of packages which are listed in the following tables. Every port pin (labeled with a "P") is capable of Digital I/O and connection to the common analog bus. However,  $V_{SS}$ ,  $V_{DD}$ , SMP, and XRES are not capable of Digital I/O.

### 16-pin Part Pinout

Figure 4. CY8C21234 16-pin PSoC Device



### CY8C21234 16-pin SOIC Pin Definitions

| Pin No. | Type    |        | Name     | Description   |
|---------|---------|--------|----------|---|
|         | Digital | Analog |          |   |
| 1       | I/O     | I, M   | P0[7]    | Analog column mux input   |
| 2       | I/O     | I, M   | P0[5]    | Analog column mux input   |
| 3       | I/O     | I, M   | P0[3]    | Analog column mux input, integrating input                        |
| 4       | I/O     | I, M   | P0[1]    | Analog column mux input, integrating input                        |
| 5       | Power   |        | SMP      | Switch-mode pump (SMP) connection to required external components |
| 6       | Power   |        | $V_{SS}$ | Ground connection <sup>[9]</sup>                                  |
| 7       | I/O     | M      | P1[1]    | I <sup>2</sup> C serial clock (SCL), ISSP-SCLK <sup>[10]</sup>    |
| 8       | Power   |        | $V_{SS}$ | Ground connection <sup>[9]</sup>                                  |
| 9       | I/O     | M      | P1[0]    | I <sup>2</sup> C serial data (SDA), ISSP-SDATA <sup>[10]</sup>    |
| 10      | I/O     | M      | P1[2]    |   |
| 11      | I/O     | M      | P1[4]    | Optional external clock input (EXTCLK)                            |
| 12      | I/O     | I, M   | P0[0]    | Analog column mux input   |
| 13      | I/O     | I, M   | P0[2]    | Analog column mux input   |
| 14      | I/O     | I, M   | P0[4]    | Analog column mux input   |
| 15      | I/O     | I, M   | P0[6]    | Analog column mux input   |
| 16      | Power   |        | $V_{DD}$ | Supply voltage  |

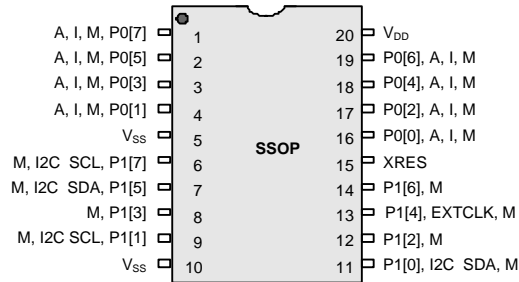
**LEGEND** A = Analog, I = Input, O = Output, and M = Analog Mux Input.

#### Notes

- All  $V_{SS}$  pins should be brought out to one common GND plane.
- These are the ISSP pins, which are not High Z at POR. See the *PSoC Technical Reference Manual* for details.

20-pin Part Pinout

Figure 5. CY8C21334 20-pin PSoC Device



CY8C21334 20-pin SSOP Pin Definitions

| Pin No. | Type    |        | Name            | Description  |
|---------|---------|--------|-----------------|--|
|         | Digital | Analog |                 |  |
| 1       | I/O     | I, M   | P0[7]           | Analog column mux input                            |
| 2       | I/O     | I, M   | P0[5]           | Analog column mux input                            |
| 3       | I/O     | I, M   | P0[3]           | Analog column mux input, integrating input         |
| 4       | I/O     | I, M   | P0[1]           | Analog column mux input, integrating input         |
| 5       | Power   |        | V <sub>SS</sub> | Ground connection <sup>[11]</sup>                  |
| 6       | I/O     | M      | P1[7]           | I <sup>2</sup> C SCL                               |
| 7       | I/O     | M      | P1[5]           | I <sup>2</sup> C SDA                               |
| 8       | I/O     | M      | P1[3]           |  |
| 9       | I/O     | M      | P1[1]           | I <sup>2</sup> C SCL, ISSP-SCLK <sup>[12]</sup>    |
| 10      | Power   |        | V <sub>SS</sub> | Ground connection <sup>[11]</sup>                  |
| 11      | I/O     | M      | P1[0]           | I <sup>2</sup> C SDA, ISSP-SDATA <sup>[12]</sup>   |
| 12      | I/O     | M      | P1[2]           |  |
| 13      | I/O     | M      | P1[4]           | Optional external clock input (EXTCLK)             |
| 14      | I/O     | M      | P1[6]           |  |
| 15      | Input   |        | XRES            | Active high external reset with internal pull-down |
| 16      | I/O     | I, M   | P0[0]           | Analog column mux input                            |
| 17      | I/O     | I, M   | P0[2]           | Analog column mux input                            |
| 18      | I/O     | I, M   | P0[4]           | Analog column mux input                            |
| 19      | I/O     | I, M   | P0[6]           | Analog column mux input                            |
| 20      | Power   |        | V <sub>DD</sub> | Supply voltage                                     |

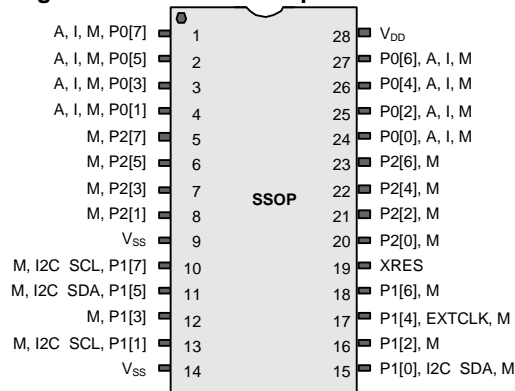
LEGEND A = Analog, I = Input, O = Output, and M = Analog Mux Input.

Notes

- 11. All V<sub>SS</sub> pins should be brought out to one common GND plane.
- 12. These are the ISSP pins, which are not High Z at POR. See the [PSoC Technical Reference Manual](#) for details.

28-pin Part Pinout

Figure 6. CY8C21534 28-pin PSoC Device



CY8C21534 28-pin SSOP Pin Definitions

| Pin No. | Type    |        | Name            | Description  |
|---------|---------|--------|-----------------|--|
|         | Digital | Analog |                 |  |
| 1       | I/O     | I, M   | P0[7]           | Analog column mux input                                      |
| 2       | I/O     | I, M   | P0[5]           | Analog column mux input and column output                    |
| 3       | I/O     | I, M   | P0[3]           | Analog column mux input and column output, integrating input |
| 4       | I/O     | I, M   | P0[1]           | Analog column mux input, integrating input                   |
| 5       | I/O     | M      | P2[7]           |  |
| 6       | I/O     | M      | P2[5]           |  |
| 7       | I/O     | I, M   | P2[3]           | Direct switched capacitor block input                        |
| 8       | I/O     | I, M   | P2[1]           | Direct switched capacitor block input                        |
| 9       | Power   |        | V <sub>SS</sub> | Ground connection <sup>[13]</sup>                            |
| 10      | I/O     | M      | P1[7]           | I <sup>2</sup> C SCL   |
| 11      | I/O     | M      | P1[5]           | I <sup>2</sup> C SDA   |
| 12      | I/O     | M      | P1[3]           |  |
| 13      | I/O     | M      | P1[1]           | I <sup>2</sup> C SCL, ISSP-SCLK <sup>[14]</sup>              |
| 14      | Power   |        | V <sub>SS</sub> | Ground connection <sup>[13]</sup>                            |
| 15      | I/O     | M      | P1[0]           | I <sup>2</sup> C SDA, ISSP-SDATA <sup>[14]</sup>             |
| 16      | I/O     | M      | P1[2]           |  |
| 17      | I/O     | M      | P1[4]           | Optional external clock input (EXTCLK)                       |
| 18      | I/O     | M      | P1[6]           |  |
| 19      | Input   |        | XRES            | Active high external reset with internal pull-down           |
| 20      | I/O     | I, M   | P2[0]           | Direct switched capacitor block input                        |
| 21      | I/O     | I, M   | P2[2]           | Direct switched capacitor block input                        |
| 22      | I/O     | M      | P2[4]           |  |
| 23      | I/O     | M      | P2[6]           |  |
| 24      | I/O     | I, M   | P0[0]           | Analog column mux input                                      |
| 25      | I/O     | I, M   | P0[2]           | Analog column mux input                                      |
| 26      | I/O     | I, M   | P0[4]           | Analog column mux input                                      |
| 27      | I/O     | I, M   | P0[6]           | Analog column mux input                                      |
| 28      | Power   |        | V <sub>DD</sub> | Supply voltage   |

LEGEND A: Analog, I: Input, O = Output, and M = Analog Mux Input.

Notes

13. All V<sub>SS</sub> pins should be brought out to one common GND plane.

14. These are the ISSP pins, which are not high Z at POR. See the *PSoC Technical Reference Manual* for details.

32-pin Part Pinout

Figure 7. CY8C21434 32-pin PSoC Device

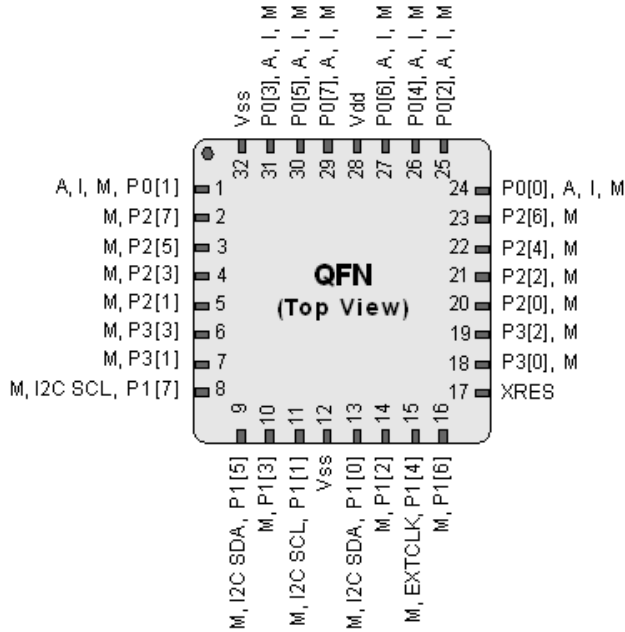


Figure 7. CY8C21634 32-pin PSoC Device

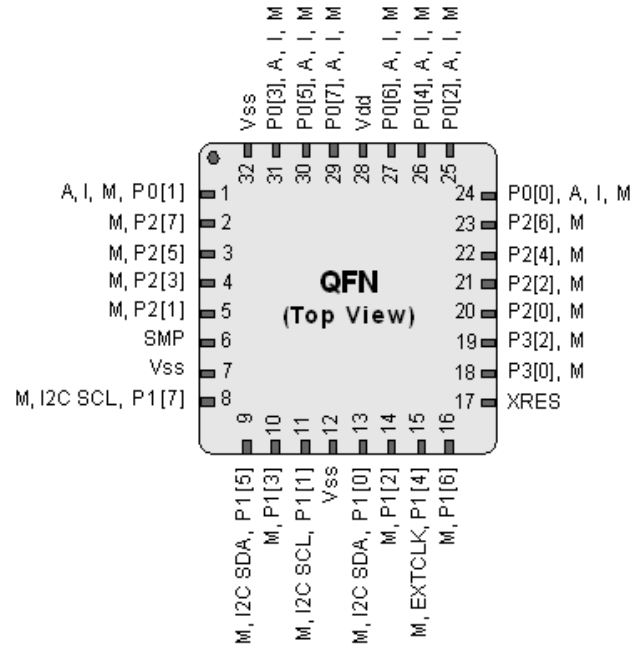


Figure 8. CY8C21434 32-pin Sawn PSoC Device Sawn

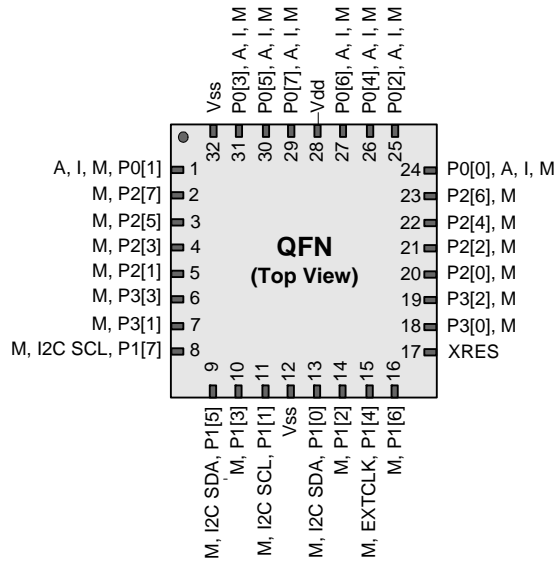
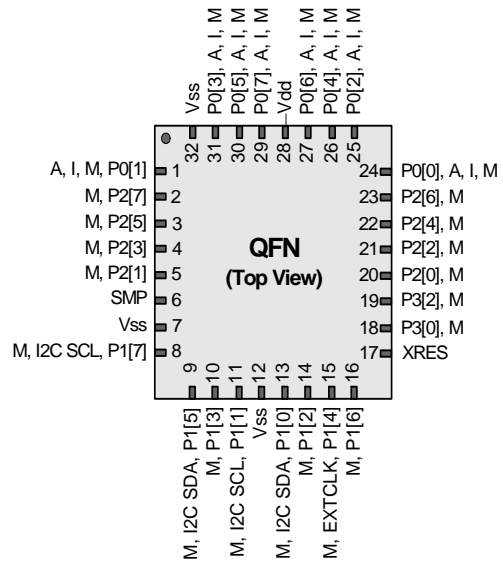


Figure 9. CY8C21634 32-pin Sawn PSoC Device Sawn



**CY8C21434/CY8C21634 32-pin QFN Pin Definitions**

| Pin No. <sup>[15]</sup> | Type    |        | Name            | Description  |
|-------------------------|---------|--------|-----------------|--|
|                         | Digital | Analog |                 |  |
| 1                       | I/O     | I, M   | P0[1]           | Analog column mux input, integrating input                       |
| 2                       | I/O     | M      | P2[7]           |  |
| 3                       | I/O     | M      | P2[5]           |  |
| 4                       | I/O     | M      | P2[3]           |  |
| 5                       | I/O     | M      | P2[1]           |  |
| 6                       | I/O     | M      | P3[3]           | In CY8C21434 part  |
| 6                       | Power   |        | SMP             | SMP connection to required external components in CY8C21634 part |
| 7                       | I/O     | M      | P3[1]           | In CY8C21434 part  |
| 7                       | Power   |        | V <sub>SS</sub> | Ground connection in CY8C21634 part <sup>[16]</sup>              |
| 8                       | I/O     | M      | P1[7]           | I <sup>2</sup> C SCL   |
| 9                       | I/O     | M      | P1[5]           | I <sup>2</sup> C SDA   |
| 10                      | I/O     | M      | P1[3]           |  |
| 11                      | I/O     | M      | P1[1]           | I <sup>2</sup> C SCL, ISSP-SCLK <sup>[17]</sup>                  |
| 12                      | Power   |        | V <sub>SS</sub> | Ground connection <sup>[16]</sup>                                |
| 13                      | I/O     | M      | P1[0]           | I <sup>2</sup> C SDA, ISSP-SDATA <sup>[17]</sup>                 |
| 14                      | I/O     | M      | P1[2]           |  |
| 15                      | I/O     | M      | P1[4]           | Optional external clock input (EXTCLK)                           |
| 16                      | I/O     | M      | P1[6]           |  |
| 17                      | Input   |        | XRES            | Active high external reset with internal pull-down               |
| 18                      | I/O     | M      | P3[0]           |  |
| 19                      | I/O     | M      | P3[2]           |  |
| 20                      | I/O     | M      | P2[0]           |  |
| 21                      | I/O     | M      | P2[2]           |  |
| 22                      | I/O     | M      | P2[4]           |  |
| 23                      | I/O     | M      | P2[6]           |  |
| 24                      | I/O     | I, M   | P0[0]           | Analog column mux input  |
| 25                      | I/O     | I, M   | P0[2]           | Analog column mux input  |
| 26                      | I/O     | I, M   | P0[4]           | Analog column mux input  |
| 27                      | I/O     | I, M   | P0[6]           | Analog column mux input  |
| 28                      | Power   |        | V <sub>DD</sub> | Supply voltage   |
| 29                      | I/O     | I, M   | P0[7]           | Analog column mux input  |
| 30                      | I/O     | I, M   | P0[5]           | Analog column mux input  |
| 31                      | I/O     | I, M   | P0[3]           | Analog column mux input, integrating input                       |
| 32                      | Power   |        | V <sub>SS</sub> | Ground connection <sup>[16]</sup>                                |

**LEGEND** A = Analog, I = Input, O = Output, and M = Analog Mux Input.

**Notes**

15. The center pad on the QFN package must be connected to ground (V<sub>SS</sub>) for best mechanical, thermal, and electrical performance. If not connected to ground, it must be electrically floated and not connected to any other signal.
16. All V<sub>SS</sub> pins should be brought out to one common GND plane.
17. These are the ISSP pins, which are not high Z at POR. See the *PSoC Technical Reference Manual* for details.

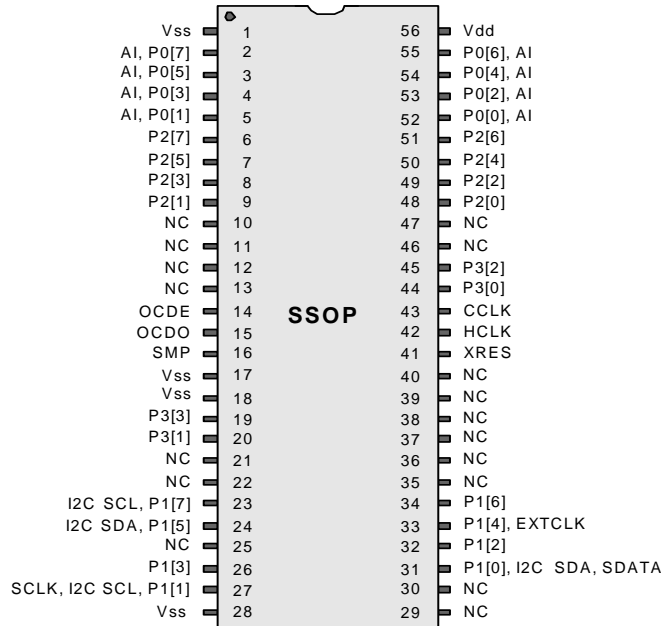


### 56-pin Part Pinout

The 56-pin SSOP part is for the CY8C21001 on-chip debug (OCD) PSoC device.

**Note** This part is only used for in-circuit debugging. It is NOT available for production.

Figure 10. CY8C21001 56-pin PSoC Device



### CY8C21001 56-pin SSOP Pin Definitions

| Pin No. | Type    |        | Pin Name        | Description                                    |
|---------|---------|--------|-----------------|--|
|         | Digital | Analog |                 |  |
| 1       | Power   |        | V <sub>SS</sub> | Ground connection <sup>[18]</sup>              |
| 2       | I/O     | I      | P0[7]           | Analog column mux input                        |
| 3       | I/O     | I      | P0[5]           | Analog column mux input and column output      |
| 4       | I/O     | I      | P0[3]           | Analog column mux input and column output      |
| 5       | I/O     | I      | P0[1]           | Analog column mux input                        |
| 6       | I/O     |        | P2[7]           |  |
| 7       | I/O     |        | P2[5]           |  |
| 8       | I/O     | I      | P2[3]           | Direct switched capacitor block input          |
| 9       | I/O     | I      | P2[1]           | Direct switched capacitor block input          |
| 10      |         |        | NC              | No connection. Pin must be left floating       |
| 11      |         |        | NC              | No connection. Pin must be left floating       |
| 12      |         |        | NC              | No connection. Pin must be left floating       |
| 13      |         |        | NC              | No connection. Pin must be left floating       |
| 14      | OCD     |        | OCDE            | OCD even data I/O                              |
| 15      | OCD     |        | OCDO            | OCD odd data output                            |
| 16      | Power   |        | SMP             | SMP connection to required external components |
| 17      | Power   |        | V <sub>SS</sub> | Ground connection <sup>[18]</sup>              |
| 18      | Power   |        | V <sub>SS</sub> | Ground connection <sup>[18]</sup>              |
| 19      | I/O     |        | P3[3]           |  |

CY8C21001 56-pin SSOP Pin Definitions (continued)

| Pin No. | Type    |        | Pin Name        | Description  |
|---------|---------|--------|-----------------|--|
|         | Digital | Analog |                 |  |
| 20      | I/O     |        | P3[1]           |  |
| 21      |         |        | NC              | No connection. Pin must be left floating           |
| 22      |         |        | NC              | No connection. Pin must be left floating           |
| 23      | I/O     |        | P1[7]           | I <sup>2</sup> C SCL                               |
| 24      | I/O     |        | P1[5]           | I <sup>2</sup> C SDA                               |
| 25      |         |        | NC              | No connection. Pin must be left floating           |
| 26      | I/O     |        | P1[3]           | I <sub>FMTEST</sub>                                |
| 27      | I/O     |        | P1[1]           | I <sup>2</sup> C SCL, ISSP-SCLK <sup>[19]</sup>    |
| 28      | Power   |        | V <sub>SS</sub> | Ground connection <sup>[18]</sup>                  |
| 29      |         |        | NC              | No connection. Pin must be left floating           |
| 30      |         |        | NC              | No connection. Pin must be left floating           |
| 31      | I/O     |        | P1[0]           | I <sup>2</sup> C SDA, ISSP-SDATA <sup>[19]</sup>   |
| 32      | I/O     |        | P1[2]           | V <sub>FMTEST</sub>                                |
| 33      | I/O     |        | P1[4]           | Optional external clock input (EXTCLK)             |
| 34      | I/O     |        | P1[6]           |  |
| 35      |         |        | NC              | No connection. Pin must be left floating           |
| 36      |         |        | NC              | No connection. Pin must be left floating           |
| 37      |         |        | NC              | No connection. Pin must be left floating           |
| 38      |         |        | NC              | No connection. Pin must be left floating           |
| 39      |         |        | NC              | No connection. Pin must be left floating           |
| 40      |         |        | NC              | No connection. Pin must be left floating           |
| 41      | Input   |        | XRES            | Active high external reset with internal pull-down |
| 42      | OCD     |        | HCLK            | OCD high-speed clock output                        |
| 43      | OCD     |        | CCLK            | OCD CPU clock output                               |
| 44      | I/O     |        | P3[0]           |  |
| 45      | I/O     |        | P3[2]           |  |
| 46      |         |        | NC              | No connection. Pin must be left floating           |
| 47      |         |        | NC              | No connection. Pin must be left floating           |
| 48      | I/O     | I      | P2[0]           |  |
| 49      | I/O     | I      | P2[2]           |  |
| 50      | I/O     |        | P2[4]           |  |
| 51      | I/O     |        | P2[6]           |  |
| 52      | I/O     | I      | P0[0]           | Analog column mux input                            |
| 53      | I/O     | I      | P0[2]           | Analog column mux input and column output          |
| 54      | I/O     | I      | P0[4]           | Analog column mux input and column output          |
| 55      | I/O     | I      | P0[6]           | Analog column mux input                            |
| 56      | Power   |        | V <sub>DD</sub> | Supply voltage                                     |

LEGEND: A = Analog, I = Input, O = Output, and OCD = On-Chip Debug.

Notes

18. All V<sub>SS</sub> pins should be brought out to one common GND plane.
19. These are the ISSP pins, which are not High Z at POR. See the [PSoC Technical Reference Manual](#) for details.

## Register Reference

This chapter lists the registers of the CY8C21x34 PSoC device. For detailed register information, see the [PSoC Technical Reference Manual](#).

### Register Conventions

The register conventions specific to this section are listed in [Table 2](#).

**Table 2. Register Conventions**

| Convention | Description                  |
|------------|------------------------------|
| R          | Read register or bit(s)      |
| W          | Write register or bit(s)     |
| L          | Logical register or bit(s)   |
| C          | Clearable register or bit(s) |
| #          | Access is bit specific       |

### Register Mapping Tables

The PSoC device has a total register address space of 512 bytes. The register space is referred to as I/O space and is divided into two banks, Bank 0 and Bank 1. The XO1 bit in the Flag register (CPU\_F) determines which bank the user is currently in. When the XO1 bit is set to 1, the user is in Bank 1.

**Note** In the following register mapping tables, blank fields are reserved and must not be accessed.

Table 3. Register Map 0 Table: User Space

| Name     | Addr (0,Hex) | Access | Name     | Addr (0,Hex) | Access | Name     | Addr (0,Hex) | Access | Name     | Addr (0,Hex) | Access |
|----------|--------------|--------|----------|--------------|--------|----------|--------------|--------|----------|--------------|--------|
| PRT0DR   | 00           | RW     |          | 40           |        | ASE10CR0 | 80           | RW     |          | C0           |        |
| PRT0IE   | 01           | RW     |          | 41           |        |          | 81           |        |          | C1           |        |
| PRT0GS   | 02           | RW     |          | 42           |        |          | 82           |        |          | C2           |        |
| PRT0DM2  | 03           | RW     |          | 43           |        |          | 83           |        |          | C3           |        |
| PRT1DR   | 04           | RW     |          | 44           |        | ASE11CR0 | 84           | RW     |          | C4           |        |
| PRT1IE   | 05           | RW     |          | 45           |        |          | 85           |        |          | C5           |        |
| PRT1GS   | 06           | RW     |          | 46           |        |          | 86           |        |          | C6           |        |
| PRT1DM2  | 07           | RW     |          | 47           |        |          | 87           |        |          | C7           |        |
| PRT2DR   | 08           | RW     |          | 48           |        |          | 88           |        |          | C8           |        |
| PRT2IE   | 09           | RW     |          | 49           |        |          | 89           |        |          | C9           |        |
| PRT2GS   | 0A           | RW     |          | 4A           |        |          | 8A           |        |          | CA           |        |
| PRT2DM2  | 0B           | RW     |          | 4B           |        |          | 8B           |        |          | CB           |        |
| PRT3DR   | 0C           | RW     |          | 4C           |        |          | 8C           |        |          | CC           |        |
| PRT3IE   | 0D           | RW     |          | 4D           |        |          | 8D           |        |          | CD           |        |
| PRT3GS   | 0E           | RW     |          | 4E           |        |          | 8E           |        |          | CE           |        |
| PRT3DM2  | 0F           | RW     |          | 4F           |        |          | 8F           |        |          | CF           |        |
|          | 10           |        |          | 50           |        |          | 90           |        | CUR_PP   | D0           | RW     |
|          | 11           |        |          | 51           |        |          | 91           |        | STK_PP   | D1           | RW     |
|          | 12           |        |          | 52           |        |          | 92           |        |          | D2           |        |
|          | 13           |        |          | 53           |        |          | 93           |        | IDX_PP   | D3           | RW     |
|          | 14           |        |          | 54           |        |          | 94           |        | MVR_PP   | D4           | RW     |
|          | 15           |        |          | 55           |        |          | 95           |        | MVW_PP   | D5           | RW     |
|          | 16           |        |          | 56           |        |          | 96           |        | I2C_CFG  | D6           | RW     |
|          | 17           |        |          | 57           |        |          | 97           |        | I2C_SCR  | D7           | #      |
|          | 18           |        |          | 58           |        |          | 98           |        | I2C_DR   | D8           | RW     |
|          | 19           |        |          | 59           |        |          | 99           |        | I2C_MSCR | D9           | #      |
|          | 1A           |        |          | 5A           |        |          | 9A           |        | INT_CLR0 | DA           | RW     |
|          | 1B           |        |          | 5B           |        |          | 9B           |        | INT_CLR1 | DB           | RW     |
|          | 1C           |        |          | 5C           |        |          | 9C           |        |          | DC           |        |
|          | 1D           |        |          | 5D           |        |          | 9D           |        | INT_CLR3 | DD           | RW     |
|          | 1E           |        |          | 5E           |        |          | 9E           |        | INT_MSK3 | DE           | RW     |
|          | 1F           |        |          | 5F           |        |          | 9F           |        |          | DF           |        |
| DBB00DR0 | 20           | #      | AMX_IN   | 60           | RW     |          | A0           |        | INT_MSK0 | E0           | RW     |
| DBB00DR1 | 21           | W      | AMUXCFG  | 61           | RW     |          | A1           |        | INT_MSK1 | E1           | RW     |
| DBB00DR2 | 22           | RW     | PWM_CR   | 62           | RW     |          | A2           |        | INT_VC   | E2           | RC     |
| DBB00CR0 | 23           | #      |          | 63           |        |          | A3           |        | RES_WDT  | E3           | W      |
| DBB01DR0 | 24           | #      | CMP_CR0  | 64           | #      |          | A4           |        |          | E4           |        |
| DBB01DR1 | 25           | W      |          | 65           |        |          | A5           |        |          | E5           |        |
| DBB01DR2 | 26           | RW     | CMP_CR1  | 66           | RW     |          | A6           |        | DEC_CR0  | E6           | RW     |
| DBB01CR0 | 27           | #      |          | 67           |        |          | A7           |        | DEC_CR1  | E7           | RW     |
| DCB02DR0 | 28           | #      | ADC0_CR  | 68           | #      |          | A8           |        |          | E8           |        |
| DCB02DR1 | 29           | W      | ADC1_CR  | 69           | #      |          | A9           |        |          | E9           |        |
| DCB02DR2 | 2A           | RW     |          | 6A           |        |          | AA           |        |          | EA           |        |
| DCB02CR0 | 2B           | #      |          | 6B           |        |          | AB           |        |          | EB           |        |
| DCB03DR0 | 2C           | #      | TMP_DR0  | 6C           | RW     |          | AC           |        |          | EC           |        |
| DCB03DR1 | 2D           | W      | TMP_DR1  | 6D           | RW     |          | AD           |        |          | ED           |        |
| DCB03DR2 | 2E           | RW     | TMP_DR2  | 6E           | RW     |          | AE           |        |          | EE           |        |
| DCB03CR0 | 2F           | #      | TMP_DR3  | 6F           | RW     |          | AF           |        |          | EF           |        |
|          | 30           |        |          | 70           |        | RDI0RI   | B0           | RW     |          | F0           |        |
|          | 31           |        |          | 71           |        | RDI0SYN  | B1           | RW     |          | F1           |        |
|          | 32           |        | ACE00CR1 | 72           | RW     | RDI0IS   | B2           | RW     |          | F2           |        |
|          | 33           |        | ACE00CR2 | 73           | RW     | RDI0LT0  | B3           | RW     |          | F3           |        |
|          | 34           |        |          | 74           |        | RDI0LT1  | B4           | RW     |          | F4           |        |
|          | 35           |        |          | 75           |        | RDI0RO0  | B5           | RW     |          | F5           |        |
|          | 36           |        | ACE01CR1 | 76           | RW     | RDI0RO1  | B6           | RW     |          | F6           |        |
|          | 37           |        | ACE01CR2 | 77           | RW     |          | B7           |        | CPU_F    | F7           | RL     |
|          | 38           |        |          | 78           |        |          | B8           |        |          | F8           |        |
|          | 39           |        |          | 79           |        |          | B9           |        |          | F9           |        |
|          | 3A           |        |          | 7A           |        |          | BA           |        |          | FA           |        |
|          | 3B           |        |          | 7B           |        |          | BB           |        |          | FB           |        |
|          | 3C           |        |          | 7C           |        |          | BC           |        |          | FC           |        |
|          | 3D           |        |          | 7D           |        |          | BD           |        | DAC_D    | FD           | RW     |
|          | 3E           |        |          | 7E           |        |          | BE           |        | CPU_SCR1 | FE           | #      |
|          | 3F           |        |          | 7F           |        |          | BF           |        | CPU_SCR0 | FF           | #      |

Blank fields are reserved and must not be accessed.

# Access is bit specific.

Table 4. Register Map 1 Table: Configuration Space

| Name    | Addr (1,Hex) | Access | Name      | Addr (1,Hex) | Access | Name     | Addr (1,Hex) | Access | Name      | Addr (1,Hex) | Access |
|---------|--------------|--------|-----------|--------------|--------|----------|--------------|--------|-----------|--------------|--------|
| PRT0DM0 | 00           | RW     |           | 40           |        | ASE10CR0 | 80           | RW     |           | C0           |        |
| PRT0DM1 | 01           | RW     |           | 41           |        |          | 81           |        |           | C1           |        |
| PRT0IC0 | 02           | RW     |           | 42           |        |          | 82           |        |           | C2           |        |
| PRT0IC1 | 03           | RW     |           | 43           |        |          | 83           |        |           | C3           |        |
| PRT1DM0 | 04           | RW     |           | 44           |        | ASE11CR0 | 84           | RW     |           | C4           |        |
| PRT1DM1 | 05           | RW     |           | 45           |        |          | 85           |        |           | C5           |        |
| PRT1IC0 | 06           | RW     |           | 46           |        |          | 86           |        |           | C6           |        |
| PRT1IC1 | 07           | RW     |           | 47           |        |          | 87           |        |           | C7           |        |
| PRT2DM0 | 08           | RW     |           | 48           |        |          | 88           |        |           | C8           |        |
| PRT2DM1 | 09           | RW     |           | 49           |        |          | 89           |        |           | C9           |        |
| PRT2IC0 | 0A           | RW     |           | 4A           |        |          | 8A           |        |           | CA           |        |
| PRT2IC1 | 0B           | RW     |           | 4B           |        |          | 8B           |        |           | CB           |        |
| PRT3DM0 | 0C           | RW     |           | 4C           |        |          | 8C           |        |           | CC           |        |
| PRT3DM1 | 0D           | RW     |           | 4D           |        |          | 8D           |        |           | CD           |        |
| PRT3IC0 | 0E           | RW     |           | 4E           |        |          | 8E           |        |           | CE           |        |
| PRT3IC1 | 0F           | RW     |           | 4F           |        |          | 8F           |        |           | CF           |        |
|         | 10           |        |           | 50           |        |          | 90           |        | GDI_O_IN  | D0           | RW     |
|         | 11           |        |           | 51           |        |          | 91           |        | GDI_E_IN  | D1           | RW     |
|         | 12           |        |           | 52           |        |          | 92           |        | GDI_O_OU  | D2           | RW     |
|         | 13           |        |           | 53           |        |          | 93           |        | GDI_E_OU  | D3           | RW     |
|         | 14           |        |           | 54           |        |          | 94           |        |           | D4           |        |
|         | 15           |        |           | 55           |        |          | 95           |        |           | D5           |        |
|         | 16           |        |           | 56           |        |          | 96           |        |           | D6           |        |
|         | 17           |        |           | 57           |        |          | 97           |        |           | D7           |        |
|         | 18           |        |           | 58           |        |          | 98           |        | MUX_CR0   | D8           | RW     |
|         | 19           |        |           | 59           |        |          | 99           |        | MUX_CR1   | D9           | RW     |
|         | 1A           |        |           | 5A           |        |          | 9A           |        | MUX_CR2   | DA           | RW     |
|         | 1B           |        |           | 5B           |        |          | 9B           |        | MUX_CR3   | DB           | RW     |
|         | 1C           |        |           | 5C           |        |          | 9C           |        |           | DC           |        |
|         | 1D           |        |           | 5D           |        |          | 9D           |        | OSC_GO_EN | DD           | RW     |
|         | 1E           |        |           | 5E           |        |          | 9E           |        | OSC_CR4   | DE           | RW     |
|         | 1F           |        |           | 5F           |        |          | 9F           |        | OSC_CR3   | DF           | RW     |
| DBB00FN | 20           | RW     | CLK_CR0   | 60           | RW     |          | A0           |        | OSC_CR0   | E0           | RW     |
| DBB00IN | 21           | RW     | CLK_CR1   | 61           | RW     |          | A1           |        | OSC_CR1   | E1           | RW     |
| DBB00OU | 22           | RW     | ABF_CR0   | 62           | RW     |          | A2           |        | OSC_CR2   | E2           | RW     |
|         | 23           |        | AMD_CR0   | 63           | RW     |          | A3           |        | VLT_CR    | E3           | RW     |
| DBB01FN | 24           | RW     | CMP_GO_EN | 64           | RW     |          | A4           |        | VLT_CMP   | E4           | R      |
| DBB01IN | 25           | RW     |           | 65           |        |          | A5           |        | ADC0_TR   | E5           | RW     |
| DBB01OU | 26           | RW     | AMD_CR1   | 66           | RW     |          | A6           |        | ADC1_TR   | E6           | RW     |
|         | 27           |        | ALT_CR0   | 67           | RW     |          | A7           |        |           | E7           |        |
| DCB02FN | 28           | RW     |           | 68           |        |          | A8           |        | IMO_TR    | E8           | W      |
| DCB02IN | 29           | RW     |           | 69           |        |          | A9           |        | ILO_TR    | E9           | W      |
| DCB02OU | 2A           | RW     |           | 6A           |        |          | AA           |        | BDG_TR    | EA           | RW     |
|         | 2B           |        | CLK_CR3   | 6B           | RW     |          | AB           |        | ECO_TR    | EB           | W      |
| DCB03FN | 2C           | RW     | TMP_DR0   | 6C           | RW     |          | AC           |        |           | EC           |        |
| DCB03IN | 2D           | RW     | TMP_DR1   | 6D           | RW     |          | AD           |        |           | ED           |        |
| DCB03OU | 2E           | RW     | TMP_DR2   | 6E           | RW     |          | AE           |        |           | EE           |        |
|         | 2F           |        | TMP_DR3   | 6F           | RW     |          | AF           |        |           | EF           |        |
|         | 30           |        |           | 70           |        | RDI0RI   | B0           | RW     |           | F0           |        |
|         | 31           |        |           | 71           |        | RDI0SYN  | B1           | RW     |           | F1           |        |
|         | 32           |        | ACE00CR1  | 72           | RW     | RDI0IS   | B2           | RW     |           | F2           |        |
|         | 33           |        | ACE00CR2  | 73           | RW     | RDI0LT0  | B3           | RW     |           | F3           |        |
|         | 34           |        |           | 74           |        | RDI0LT1  | B4           | RW     |           | F4           |        |
|         | 35           |        |           | 75           |        | RDI0RO0  | B5           | RW     |           | F5           |        |
|         | 36           |        | ACE01CR1  | 76           | RW     | RDI0RO1  | B6           | RW     |           | F6           |        |
|         | 37           |        | ACE01CR2  | 77           | RW     |          | B7           |        | CPU_F     | F7           | RL     |
|         | 38           |        |           | 78           |        |          | B8           |        |           | F8           |        |
|         | 39           |        |           | 79           |        |          | B9           |        |           | F9           |        |
|         | 3A           |        |           | 7A           |        |          | BA           |        | FLS_PR1   | FA           | RW     |
|         | 3B           |        |           | 7B           |        |          | BB           |        |           | FB           |        |
|         | 3C           |        |           | 7C           |        |          | BC           |        |           | FC           |        |
|         | 3D           |        |           | 7D           |        |          | BD           |        | DAC_CR    | FD           | RW     |
|         | 3E           |        |           | 7E           |        |          | BE           |        | CPU_SCR1  | FE           | #      |
|         | 3F           |        |           | 7F           |        |          | BF           |        | CPU_SCR0  | FF           | #      |

Blank fields are reserved and must not be accessed.

# Access is bit specific.



## Absolute Maximum Ratings

| Symbol                | Description   | Min                   | Typ | Max                   | Units | Notes  |
|-----------------------|---|-----------------------|-----|-----------------------|-------|--|
| T <sub>STG</sub>      | Storage temperature   | -55                   | 25  | +100                  | °C    | Higher storage temperatures reduce data retention time. Recommended storage temperature is +25 °C ± 25 °C. Extended duration storage temperatures above 65 °C degrade reliability. |
| T <sub>BAKETEMP</sub> | Bake temperature  | –                     | 125 | See package label     | °C    |  |
| t <sub>BAKETIME</sub> | Bake time   | See package label     | –   | 72                    | Hours |  |
| T <sub>A</sub>        | Ambient temperature with power applied                        | -40                   | –   | +85                   | °C    |  |
| V <sub>DD</sub>       | Supply voltage on V <sub>DD</sub> relative to V <sub>SS</sub> | -0.5                  | –   | +6.0                  | V     |  |
| V <sub>IO</sub>       | DC input voltage  | V <sub>SS</sub> - 0.5 | –   | V <sub>DD</sub> + 0.5 | V     |  |
| V <sub>IOZ</sub>      | DC voltage applied to tri-state                               | V <sub>SS</sub> - 0.5 | –   | V <sub>DD</sub> + 0.5 | V     |  |
| I <sub>MIO</sub>      | Maximum current into any port pin                             | -25                   | –   | +50                   | mA    |  |
| ESD                   | Electrostatic discharge voltage                               | 2000                  | –   | –                     | V     | Human body model ESD.  |
| LU                    | Latch-up current  | –                     | –   | 200                   | mA    |  |

## Operating Temperature

| Symbol         | Description          | Min | Typ | Max  | Units | Notes  |
|----------------|----------------------|-----|-----|------|-------|--|
| T <sub>A</sub> | Ambient temperature  | -40 | –   | +85  | °C    |  |
| T <sub>J</sub> | Junction temperature | -40 | –   | +100 | °C    | The temperature rise from ambient to junction is package specific. See <a href="#">Table 29 on page 38</a> . You must limit the power consumption to comply with this requirement. |

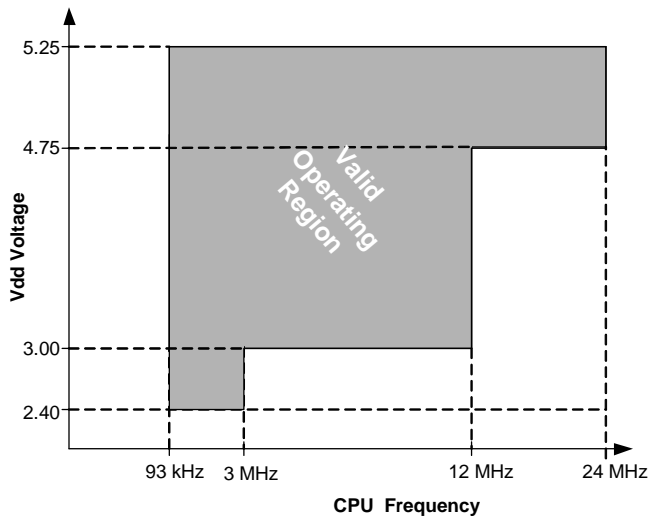
## Electrical Specifications

This section presents the DC and AC electrical specifications of the CY8C21x34 PSoC device. For up-to-date electrical specifications, visit the Cypress web site at <http://www.cypress.com>.

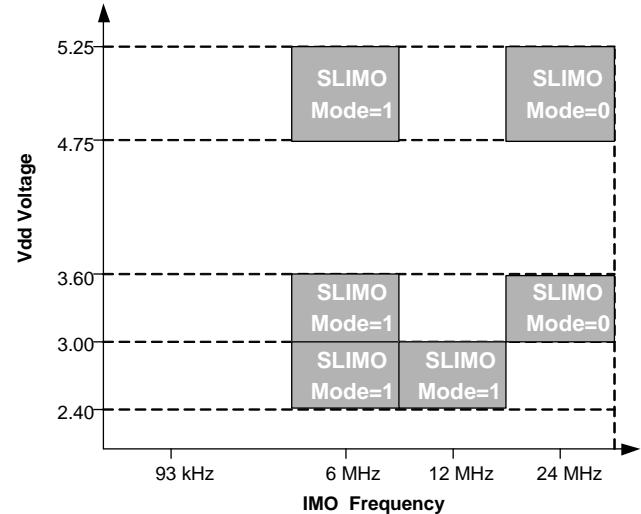
Specifications are valid for  $-40\text{ }^{\circ}\text{C} \leq T_A \leq 85\text{ }^{\circ}\text{C}$  and  $T_J \leq 100\text{ }^{\circ}\text{C}$  as specified, except where noted.

Refer to [Table 16 on page 26](#) for the electrical specifications for the IMO using SLIMO mode.

**Figure 11. Voltage versus CPU Frequency**



**Figure 14. IMO Frequency Trim Options**



## DC Electrical Characteristics

### DC Chip-Level Specifications

[Table 5](#) lists the guaranteed maximum and minimum specifications for the voltage and temperature ranges: 4.75 V to 5.25 V and  $-40\text{ }^{\circ}\text{C} \leq T_A \leq 85\text{ }^{\circ}\text{C}$ , 3.0 V to 3.6 V and  $-40\text{ }^{\circ}\text{C} \leq T_A \leq 85\text{ }^{\circ}\text{C}$ , or 2.4 V to 3.0 V and  $-40\text{ }^{\circ}\text{C} \leq T_A \leq 85\text{ }^{\circ}\text{C}$ , respectively. Typical parameters are measured at 5 V, 3.3 V, or 2.7 V at 25 °C and are for design guidance only.

**Table 5. DC Chip-level Specifications**

| Symbol      | Description   | Min               | Typ       | Max               | Units         | Notes  |
|-------------|---|-------------------|-----------|-------------------|---------------|--|
| $V_{DD}$    | Supply voltage  | 2.40              | –         | 5.25              | V             | See <a href="#">Table 13 on page 24</a>  |
| $I_{DD}$    | Supply current, IMO = 24 MHz  | –                 | 3         | 4                 | mA            | Conditions are $V_{DD} = 5.0\text{ V}$ , $T_A = 25\text{ }^{\circ}\text{C}$ , CPU = 3 MHz, 48 MHz disabled. VC1 = 1.5 MHz, VC2 = 93.75 kHz, VC3 = 0.366 kHz        |
| $I_{DD3}$   | Supply current, IMO = 6 MHz using SLIMO mode.   | –                 | 1.2       | 2                 | mA            | Conditions are $V_{DD} = 3.3\text{ V}$ , $T_A = 25\text{ }^{\circ}\text{C}$ , CPU = 3 MHz, clock doubler disabled. VC1 = 375 kHz, VC2 = 23.4 kHz, VC3 = 0.091 kHz  |
| $I_{DD27}$  | Supply current, IMO = 6 MHz using SLIMO mode.   | –                 | 1.1       | 1.5               | mA            | Conditions are $V_{DD} = 2.55\text{ V}$ , $T_A = 25\text{ }^{\circ}\text{C}$ , CPU = 3 MHz, clock doubler disabled. VC1 = 375 kHz, VC2 = 23.4 kHz, VC3 = 0.091 kHz |
| $I_{SB27}$  | Sleep (mode) current with POR, LVD, sleep timer, WDT, and internal slow oscillator active. Mid temperature range. | –                 | 2.6       | 4                 | $\mu\text{A}$ | $V_{DD} = 2.55\text{ V}$ , $0\text{ }^{\circ}\text{C} \leq T_A \leq 40\text{ }^{\circ}\text{C}$  |
| $I_{SB}$    | Sleep (mode) current with POR, LVD, Sleep Timer, WDT, and internal slow oscillator active.                        | –                 | 2.8       | 5                 | $\mu\text{A}$ | $V_{DD} = 3.3\text{ V}$ , $-40\text{ }^{\circ}\text{C} \leq T_A \leq 85\text{ }^{\circ}\text{C}$   |
| $V_{REF}$   | Reference voltage (Bandgap)   | 1.28              | 1.30      | 1.32              | V             | Trimmed for appropriate $V_{DD}$<br>$V_{DD} = 3.0\text{ V to } 5.25\text{ V}$  |
| $V_{REF27}$ | Reference voltage (Bandgap)   | 1.16              | 1.30      | 1.33              | V             | Trimmed for appropriate $V_{DD}$<br>$V_{DD} = 2.4\text{ V to } 3.0\text{ V}$   |
| AGND        | Analog ground   | $V_{REF} - 0.003$ | $V_{REF}$ | $V_{REF} + 0.003$ | V             |  |

*DC General-Purpose I/O Specifications*

The following tables list the guaranteed maximum and minimum specifications for the voltage and temperature ranges: 4.75 V to 5.25 V and  $-40\text{ }^{\circ}\text{C} \leq T_A \leq 85\text{ }^{\circ}\text{C}$ , 3.0 V to 3.6 V and  $-40\text{ }^{\circ}\text{C} \leq T_A \leq 85\text{ }^{\circ}\text{C}$ , or 2.4 V to 3.0 V and  $-40\text{ }^{\circ}\text{C} \leq T_A \leq 85\text{ }^{\circ}\text{C}$ , respectively. Typical parameters are measured at 5 V, 3.3 V, and 2.7 V at 25 °C and are for design guidance only.

**Table 6. 5-V and 3.3-V DC GPIO Specifications**

| Symbol           | Description                       | Min                   | Typ | Max  | Units | Notes  |
|------------------|-----------------------------------|-----------------------|-----|------|-------|--|
| R <sub>PU</sub>  | Pull-up resistor                  | 4                     | 5.6 | 8    | kΩ    |  |
| R <sub>PD</sub>  | Pull-down resistor                | 4                     | 5.6 | 8    | kΩ    |  |
| V <sub>OH</sub>  | High output level                 | V <sub>DD</sub> - 1.0 | –   | –    | V     | I <sub>OH</sub> = 10 mA, V <sub>DD</sub> = 4.75 to 5.25 V (8 total loads, 4 on even port pins (for example, P0[2], P1[4]), 4 on odd port pins (for example, P0[3], P1[5])) |
| V <sub>OL</sub>  | Low output level                  | –                     | –   | 0.75 | V     | I <sub>OL</sub> = 25 mA, V <sub>DD</sub> = 4.75 to 5.25 V (8 total loads, 4 on even port pins (for example, P0[2], P1[4]), 4 on odd port pins (for example, P0[3], P1[5])) |
| I <sub>OH</sub>  | High level source current         | 10                    | –   | –    | mA    | V <sub>OH</sub> = V <sub>DD</sub> - 1.0 V, see the limitations of the total current in the note for V <sub>OH</sub>  |
| I <sub>OL</sub>  | Low level sink current            | 25                    | –   | –    | mA    | V <sub>OL</sub> = 0.75 V, see the limitations of the total current in the note for V <sub>OL</sub>   |
| V <sub>IL</sub>  | Input low level                   | –                     | –   | 0.8  | V     | V <sub>DD</sub> = 3.0 to 5.25  |
| V <sub>IH</sub>  | Input high level                  | 2.1                   | –   | –    | V     | V <sub>DD</sub> = 3.0 to 5.25  |
| V <sub>H</sub>   | Input hysteresis                  | –                     | 60  | –    | mV    |  |
| I <sub>IL</sub>  | Input leakage (absolute value)    | –                     | 1   | –    | nA    | Gross tested to 1 μA   |
| C <sub>IN</sub>  | Capacitive load on pins as input  | –                     | 3.5 | 10   | pF    | Package and pin dependent<br>Temp = 25 °C  |
| C <sub>OUT</sub> | Capacitive load on pins as output | –                     | 3.5 | 10   | pF    | Package and pin dependent<br>Temp = 25 °C  |

**Table 7. 2.7-V DC GPIO Specifications**

| Symbol           | Description                       | Min                   | Typ | Max  | Units | Notes  |
|------------------|-----------------------------------|-----------------------|-----|------|-------|--|
| R <sub>PU</sub>  | Pull-up resistor                  | 4                     | 5.6 | 8    | kΩ    |  |
| R <sub>PD</sub>  | Pull-down resistor                | 4                     | 5.6 | 8    | kΩ    |  |
| V <sub>OH</sub>  | High output level                 | V <sub>DD</sub> - 0.4 | –   | –    | V     | I <sub>OH</sub> = 2.5 mA (6.25 Typ), V <sub>DD</sub> = 2.4 to 3.0 V (16 mA maximum, 50 mA Typ combined I <sub>OH</sub> budget) |
| V <sub>OL</sub>  | Low output level                  | –                     | –   | 0.75 | V     | I <sub>OL</sub> = 10 mA, V <sub>DD</sub> = 2.4 to 3.0 V (90 mA maximum combined I <sub>OL</sub> budget)                        |
| I <sub>OH</sub>  | High level source current         | 2.5                   | –   | –    | mA    | V <sub>OH</sub> = V <sub>DD</sub> - 0.4 V, see the limitations of the total current in the note for V <sub>OH</sub>            |
| I <sub>OL</sub>  | Low level sink current            | 10                    | –   | –    | mA    | V <sub>OL</sub> = 0.75 V, see the limitations of the total current in the note for V <sub>OL</sub>                             |
| V <sub>IL</sub>  | Input low level                   | –                     | –   | 0.75 | V     | V <sub>DD</sub> = 2.4 to 3.0   |
| V <sub>IH</sub>  | Input high level                  | 2.0                   | –   | –    | V     | V <sub>DD</sub> = 2.4 to 3.0   |
| V <sub>H</sub>   | Input hysteresis                  | –                     | 90  | –    | mV    |  |
| I <sub>IL</sub>  | Input leakage (absolute value)    | –                     | 1   | –    | nA    | Gross tested to 1 μA   |
| C <sub>IN</sub>  | Capacitive load on pins as input  | –                     | 3.5 | 10   | pF    | Package and pin dependent<br>Temp = 25 °C  |
| C <sub>OUT</sub> | Capacitive load on pins as output | –                     | 3.5 | 10   | pF    | Package and pin dependent<br>Temp = 25 °C  |

### DC Operational Amplifier Specifications

The following tables list the guaranteed maximum and minimum specifications for the voltage and temperature ranges: 4.75 V to 5.25 V and  $-40\text{ }^{\circ}\text{C} \leq T_A \leq 85\text{ }^{\circ}\text{C}$ , 3.0 V to 3.6 V and  $-40\text{ }^{\circ}\text{C} \leq T_A \leq 85\text{ }^{\circ}\text{C}$ , or 2.4 V to 3.0 V and  $-40\text{ }^{\circ}\text{C} \leq T_A \leq 85\text{ }^{\circ}\text{C}$ , respectively. Typical parameters are measured at 5 V, 3.3 V, or 2.7 V at 25 °C and are for design guidance only.

**Table 8. 5-V DC Operational Amplifier Specifications**

| Symbol                     | Description                                       | Min | Typ | Max                   | Units                          | Notes                                      |
|----------------------------|---|-----|-----|-----------------------|--------------------------------|--|
| $V_{\text{OSOA}}$          | Input offset voltage (absolute value)             | –   | 2.5 | 15                    | mV                             |  |
| $\text{TCV}_{\text{OSOA}}$ | Average input offset voltage drift                | –   | 10  | –                     | $\mu\text{V}/^{\circ}\text{C}$ |  |
| $I_{\text{EBOA}}$          | Input leakage current (Port 0 analog pins 7-to-1) | –   | 200 | –                     | pA                             | Gross tested to 1 $\mu\text{A}$            |
| $I_{\text{EBOA00}}$        | Input leakage current (Port 0, Pin 0 analog pin)  | –   | 50  | –                     | nA                             | Gross tested to 1 $\mu\text{A}$            |
| $C_{\text{INOA}}$          | Input capacitance (Port 0 analog pins)            | –   | 4.5 | 9.5                   | pF                             | Package and pin dependent.<br>Temp = 25 °C |
| $V_{\text{CMOA}}$          | Common mode voltage range                         | 0.0 | –   | $V_{\text{DD}} - 1.0$ | V                              |  |
| $G_{\text{OLOA}}$          | Open loop gain                                    | –   | 80  | –                     | dB                             |  |
| $I_{\text{SOA}}$           | Amplifier supply current                          | –   | 10  | 30                    | $\mu\text{A}$                  |  |

**Table 9. 3.3-V DC Operational Amplifier Specifications**

| Symbol                     | Description                                      | Min | Typ | Max                   | Units                          | Notes                                      |
|----------------------------|--|-----|-----|-----------------------|--------------------------------|--|
| $V_{\text{OSOA}}$          | Input offset voltage (absolute value)            | –   | 2.5 | 15                    | mV                             |  |
| $\text{TCV}_{\text{OSOA}}$ | Average input offset voltage drift               | –   | 10  | –                     | $\mu\text{V}/^{\circ}\text{C}$ |  |
| $I_{\text{EBOA}}$          | Input leakage current (Port 0 analog pins)       | –   | 200 | –                     | pA                             | Gross tested to 1 $\mu\text{A}$            |
| $I_{\text{EBOA00}}$        | Input leakage current (Port 0, Pin 0 analog pin) | –   | 50  | –                     | nA                             | Gross tested to 1 $\mu\text{A}$            |
| $C_{\text{INOA}}$          | Input capacitance (Port 0 analog pins)           | –   | 4.5 | 9.5                   | pF                             | Package and pin dependent.<br>Temp = 25 °C |
| $V_{\text{CMOA}}$          | Common mode voltage range                        | 0   | –   | $V_{\text{DD}} - 1.0$ | V                              |  |
| $G_{\text{OLOA}}$          | Open loop gain                                   | –   | 80  | –                     | dB                             |  |
| $I_{\text{SOA}}$           | Amplifier supply current                         | –   | 10  | 30                    | $\mu\text{A}$                  |  |

**Table 10. 2.7-V DC Operational Amplifier Specifications**

| Symbol                     | Description                                      | Min | Typ | Max                   | Units                          | Notes                                      |
|----------------------------|--|-----|-----|-----------------------|--------------------------------|--|
| $V_{\text{OSOA}}$          | Input offset voltage (absolute value)            | –   | 2.5 | 15                    | mV                             |  |
| $\text{TCV}_{\text{OSOA}}$ | Average input offset voltage drift               | –   | 10  | –                     | $\mu\text{V}/^{\circ}\text{C}$ |  |
| $I_{\text{EBOA}}$          | Input leakage current (Port 0 analog pins)       | –   | 200 | –                     | pA                             | Gross tested to 1 $\mu\text{A}$            |
| $I_{\text{EBOA00}}$        | Input leakage current (Port 0, Pin 0 analog pin) | –   | 50  | –                     | nA                             | Gross tested to 1 $\mu\text{A}$            |
| $C_{\text{INOA}}$          | Input capacitance (Port 0 analog pins)           | –   | 4.5 | 9.5                   | pF                             | Package and pin dependent.<br>Temp = 25 °C |
| $V_{\text{CMOA}}$          | Common mode voltage range                        | 0   | –   | $V_{\text{DD}} - 1.0$ | V                              |  |
| $G_{\text{OLOA}}$          | Open loop gain                                   | –   | 80  | –                     | dB                             |  |
| $I_{\text{SOA}}$           | Amplifier supply current                         | –   | 10  | 30                    | $\mu\text{A}$                  |  |

DC Switch Mode Pump Specifications

Table 11 lists the guaranteed maximum and minimum specifications for the voltage and temperature ranges: 4.75 V to 5.25 V and  $-40\text{ }^{\circ}\text{C} \leq T_A \leq 85\text{ }^{\circ}\text{C}$ , 3.0 V to 3.6 V and  $-40\text{ }^{\circ}\text{C} \leq T_A \leq 85\text{ }^{\circ}\text{C}$ , or 2.4 V to 3.0 V and  $-40\text{ }^{\circ}\text{C} \leq T_A \leq 85\text{ }^{\circ}\text{C}$ , respectively. Typical parameters are measured at 5 V, 3.3 V, or 2.7 V at 25 °C and are for design guidance only.

Figure 12. Basic Switch Mode Pump Circuit

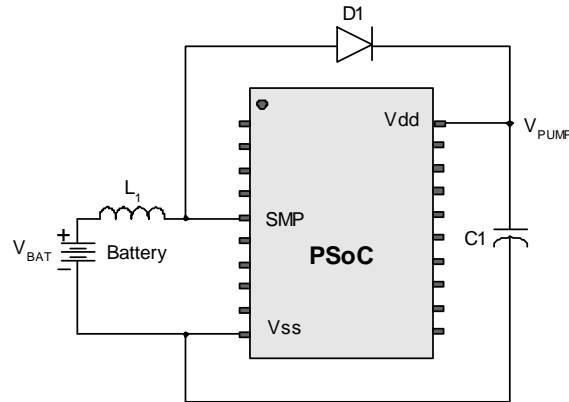


Table 11. DC Switch Mode Pump (SMP) Specifications

| Symbol                    | Description   | Min         | Typ         | Max         | Units           | Notes  |
|---------------------------|---|-------------|-------------|-------------|-----------------|--|
| V <sub>PUMP5V</sub>       | 5 V output voltage from pump  | 4.75        | 5.0         | 5.25        | V               | Configured as in Note 20<br>Average, neglecting ripple<br>SMP trip voltage is set to 5.0 V   |
| V <sub>PUMP3V</sub>       | 3.3 V output voltage from pump  | 3.00        | 3.25        | 3.60        | V               | Configured as in Note 20<br>Average, neglecting ripple.<br>SMP trip voltage is set to 3.25 V   |
| V <sub>PUMP2V</sub>       | 2.6 V output voltage from pump  | 2.45        | 2.55        | 2.80        | V               | Configured as in Note 20<br>Average, neglecting ripple.<br>SMP trip voltage is set to 2.55 V   |
| I <sub>PUMP</sub>         | Available output current<br>V <sub>BAT</sub> = 1.8 V, V <sub>PUMP</sub> = 5.0 V<br>V <sub>BAT</sub> = 1.5 V, V <sub>PUMP</sub> = 3.25 V<br>V <sub>BAT</sub> = 1.3 V, V <sub>PUMP</sub> = 2.55 V | 5<br>8<br>8 | –<br>–<br>– | –<br>–<br>– | mA<br>mA<br>mA  | Configured as in Note 20<br>SMP trip voltage is set to 5.0 V<br>SMP trip voltage is set to 3.25 V<br>SMP trip voltage is set to 2.55 V   |
| V <sub>BAT5V</sub>        | Input voltage range from battery  | 1.8         | –           | 5.0         | V               | Configured as in Note 20<br>SMP trip voltage is set to 5.0 V   |
| V <sub>BAT3V</sub>        | Input voltage range from battery  | 1.0         | –           | 3.3         | V               | Configured as in Note 20<br>SMP trip voltage is set to 3.25 V  |
| V <sub>BAT2V</sub>        | Input voltage range from battery  | 1.0         | –           | 2.8         | V               | Configured as in Note 20<br>SMP trip voltage is set to 2.55 V  |
| V <sub>BATSTART</sub>     | Minimum input voltage from battery to start pump  | 1.2         | –           | –           | V               | Configured as in Note 20<br>0 °C ≤ T <sub>A</sub> ≤ 100. 1.25 V at<br>T <sub>A</sub> = –40 °C  |
| ΔV <sub>PUMP_Line</sub>   | Line regulation (over V <sub>i</sub> range)   | –           | 5           | –           | %V <sub>O</sub> | Configured as in Note 20<br>V <sub>O</sub> is the “V <sub>DD</sub> Value for PUMP Trip”<br>specified by the VM[2:0] setting in<br>the DC POR and LVD Specification,<br>Table 13 on page 24 |
| ΔV <sub>PUMP_Load</sub>   | Load regulation   | –           | 5           | –           | %V <sub>O</sub> | Configured as in Note 20<br>V <sub>O</sub> is the “V <sub>DD</sub> Value for PUMP Trip”<br>specified by the VM[2:0] setting in<br>the DC POR and LVD Specification,<br>Table 13 on page 24 |
| ΔV <sub>PUMP_Ripple</sub> | Output voltage ripple (depends on cap/load)   | –           | 100         | –           | mVpp            | Configured as in Note 20<br>Load is 5 mA   |
| E <sub>3</sub>            | Efficiency  | 35          | 50          | –           | %               | Configured as in Note 20<br>Load is 5 mA. SMP trip voltage is set<br>to 3.25 V   |

Note

20. L<sub>1</sub> = 2 mH inductor, C<sub>1</sub> = 10 mF capacitor, D<sub>1</sub> = Schottky diode. See Figure 12 on page 23.



**Table 11. DC Switch Mode Pump (SMP) Specifications** (continued)

| Symbol             | Description          | Min | Typ | Max | Units | Notes  |
|--------------------|----------------------|-----|-----|-----|-------|--|
| E <sub>2</sub>     | Efficiency           | 35  | 80  | –   | %     | For I load = 1mA, V <sub>PUMP</sub> = 2.55 V, V <sub>BAT</sub> = 1.3 V, 10 μH inductor, 1 μF capacitor, and Schottky diode |
| F <sub>PUMP</sub>  | Switching frequency  | –   | 1.3 | –   | MHz   |  |
| DC <sub>PUMP</sub> | Switching duty cycle | –   | 50  | –   | %     |  |

*DC Analog Mux Bus Specifications*

Table 12 lists the guaranteed maximum and minimum specifications for the voltage and temperature ranges: 4.75 V to 5.25 V and –40 °C ≤ T<sub>A</sub> ≤ 85 °C, 3.0 V to 3.6 V and –40 °C ≤ T<sub>A</sub> ≤ 85 °C, or 2.4 V to 3.0 V and –40 °C ≤ T<sub>A</sub> ≤ 85 °C, respectively. Typical parameters are measured at 5 V, 3.3 V, or 2.7 V at 25 °C and are for design guidance only.

**Table 12. DC Analog Mux Bus Specifications**

| Symbol           | Description  | Min | Typ | Max        | Units | Notes  |
|------------------|--|-----|-----|------------|-------|--|
| R <sub>SW</sub>  | Switch resistance to common analog bus                 | –   | –   | 400<br>800 | Ω     | V <sub>DD</sub> ≥ 2.7 V<br>2.4 V ≤ V <sub>DD</sub> ≤ 2.7 V |
| R <sub>VDD</sub> | Resistance of initialization switch to V <sub>DD</sub> | –   | –   | 800        | Ω     |  |

*DC POR and LVD Specifications*

Table 13 lists the guaranteed maximum and minimum specifications for the voltage and temperature ranges: 4.75 V to 5.25 V and –40 °C ≤ T<sub>A</sub> ≤ 85 °C, 3.0 V to 3.6 V and –40 °C ≤ T<sub>A</sub> ≤ 85 °C, or 2.4 V to 3.0 V and –40 °C ≤ T<sub>A</sub> ≤ 85 °C, respectively. Typical parameters are measured at 5 V, 3.3 V, or 2.7 V at 25 °C and are for design guidance only.

**Table 13. DC POR and LVD Specifications**

| Symbol             | Description  | Min  | Typ  | Max                  | Units | Notes  |
|--------------------|--|------|------|----------------------|-------|--|
| V <sub>PPOR0</sub> | V <sub>DD</sub> value for PPOR trip<br>PORLEV[1:0] = 00b | –    | 2.36 | 2.40                 | V     | V <sub>DD</sub> must be greater than or equal to 2.5 V during startup, the reset from the XRES pin, or reset from watchdog |
| V <sub>PPOR1</sub> | PORLEV[1:0] = 01b  | –    | 2.82 | 2.95                 | V     |  |
| V <sub>PPOR2</sub> | PORLEV[1:0] = 10b  | –    | 4.55 | 4.70                 | V     |  |
| V <sub>LVD0</sub>  | V <sub>DD</sub> value for LVD trip<br>VM[2:0] = 000b     | 2.40 | 2.45 | 2.51 <sup>[21]</sup> | V     |  |
| V <sub>LVD1</sub>  | VM[2:0] = 001b   | 2.85 | 2.92 | 2.99 <sup>[22]</sup> | V     |  |
| V <sub>LVD2</sub>  | VM[2:0] = 010b   | 2.95 | 3.02 | 3.09                 | V     |  |
| V <sub>LVD3</sub>  | VM[2:0] = 011b   | 3.06 | 3.13 | 3.20                 | V     |  |
| V <sub>LVD4</sub>  | VM[2:0] = 100b   | 4.37 | 4.48 | 4.55                 | V     |  |
| V <sub>LVD5</sub>  | VM[2:0] = 101b   | 4.50 | 4.64 | 4.75                 | V     |  |
| V <sub>LVD6</sub>  | VM[2:0] = 110b   | 4.62 | 4.73 | 4.83                 | V     |  |
| V <sub>LVD7</sub>  | VM[2:0] = 111b   | 4.71 | 4.81 | 4.95                 | V     |  |
| V <sub>PUMP0</sub> | V <sub>DD</sub> value for pump trip<br>VM[2:0] = 000b    | 2.45 | 2.55 | 2.62 <sup>[23]</sup> | V     |  |
| V <sub>PUMP1</sub> | VM[2:0] = 001b   | 2.96 | 3.02 | 3.09                 | V     |  |
| V <sub>PUMP2</sub> | VM[2:0] = 010b   | 3.03 | 3.10 | 3.16                 | V     |  |
| V <sub>PUMP3</sub> | VM[2:0] = 011b   | 3.18 | 3.25 | 3.32 <sup>[24]</sup> | V     |  |
| V <sub>PUMP4</sub> | VM[2:0] = 100b   | 4.54 | 4.64 | 4.74                 | V     |  |
| V <sub>PUMP5</sub> | VM[2:0] = 101b   | 4.62 | 4.73 | 4.83                 | V     |  |
| V <sub>PUMP6</sub> | VM[2:0] = 110b   | 4.71 | 4.82 | 4.92                 | V     |  |
| V <sub>PUMP7</sub> | VM[2:0] = 111b   | 4.89 | 5.00 | 5.12                 | V     |  |

**Notes**

- 21. Always greater than 50 mV above V<sub>PPOR</sub> (PORLEV = 00) for falling supply.
- 22. Always greater than 50 mV above V<sub>PPOR</sub> (PORLEV = 01) for falling supply.
- 23. Always greater than 50 mV above V<sub>LVD0</sub>.
- 24. Always greater than 50 mV above V<sub>LVD3</sub>.

DC Programming Specifications

Table 14 lists the guaranteed maximum and minimum specifications for the voltage and temperature ranges: 4.75 V to 5.25 V and  $-40\text{ }^{\circ}\text{C} \leq T_A \leq 85\text{ }^{\circ}\text{C}$ , 3.0 V to 3.6 V and  $-40\text{ }^{\circ}\text{C} \leq T_A \leq 85\text{ }^{\circ}\text{C}$ , or 2.4 V to 3.0 V and  $-40\text{ }^{\circ}\text{C} \leq T_A \leq 85\text{ }^{\circ}\text{C}$ , respectively. Typical parameters are measured at 5 V, 3.3 V, or 2.7 V at 25 °C and are for design guidance only.

Table 14. DC Programming Specifications

| Symbol                | Description   | Min                    | Typ | Max                    | Units | Notes  |
|-----------------------|---|------------------------|-----|------------------------|-------|--|
| V <sub>DDP</sub>      | V <sub>DD</sub> for programming and erase   | 4.5                    | 5   | 5.5                    | V     | This specification applies to the functional requirements of external programmer tools |
| V <sub>DDL</sub>      | Low V <sub>DD</sub> for verify  | 2.4                    | 2.5 | 2.6                    | V     | This specification applies to the functional requirements of external programmer tools |
| V <sub>DDH</sub>      | High V <sub>DD</sub> for verify   | 5.1                    | 5.2 | 5.3                    | V     | This specification applies to the functional requirements of external programmer tools |
| V <sub>DDIWRITE</sub> | Supply voltage for flash write operation  | 2.7                    |     | 5.25                   | V     | This specification applies to this device when it is executing internal flash writes   |
| I <sub>DDP</sub>      | Supply current during programming or verify   | –                      | 5   | 25                     | mA    |  |
| V <sub>ILP</sub>      | Input low voltage during programming or verify  | –                      | –   | 0.8                    | V     |  |
| V <sub>IHP</sub>      | Input high voltage during programming or verify   | 2.2                    | –   | –                      | V     |  |
| I <sub>ILP</sub>      | Input current when applying V <sub>ILP</sub> to P1[0] or P1[1] during programming or verify | –                      | –   | 0.2                    | mA    | Driving internal pull-down resistor  |
| I <sub>IHP</sub>      | Input current when applying V <sub>IHP</sub> to P1[0] or P1[1] during programming or verify | –                      | –   | 1.5                    | mA    | Driving internal pull-down resistor  |
| V <sub>OLV</sub>      | Output low voltage during programming or verify   | –                      | –   | V <sub>SS</sub> + 0.75 | V     |  |
| V <sub>OHV</sub>      | Output high voltage during programming or verify  | V <sub>DD</sub> – 1.0  | –   | V <sub>DD</sub>        | V     |  |
| Flash <sub>ENPB</sub> | Flash endurance (per block)   | 50,000 <sup>[25]</sup> | –   | –                      | –     | Erase/write cycles per block   |
| Flash <sub>ENT</sub>  | Flash endurance (total) <sup>[26]</sup>   | 1,800,000              | –   | –                      | –     | Erase/write cycles   |
| Flash <sub>DR</sub>   | Flash data retention  | 10                     | –   | –                      | Years |  |

DC I<sup>2</sup>C Specifications

Table 15 lists the guaranteed maximum and minimum specifications for the voltage and temperature ranges: 4.75 V to 5.25 V and  $-40\text{ }^{\circ}\text{C} \leq T_A \leq 85\text{ }^{\circ}\text{C}$ , 3.0 V to 3.6 V and  $-40\text{ }^{\circ}\text{C} \leq T_A \leq 85\text{ }^{\circ}\text{C}$ , or 2.4 V to 3.0 V and  $-40\text{ }^{\circ}\text{C} \leq T_A \leq 85\text{ }^{\circ}\text{C}$ , respectively. Typical parameters are measured at 5 V, 3.3 V, or 2.7 V at 25 °C and are for design guidance only.

Table 15. DC I<sup>2</sup>C Specifications<sup>[27]</sup>

| Symbol            | Description      | Min                   | Typ | Max                    | Units | Notes                             |
|-------------------|------------------|-----------------------|-----|------------------------|-------|-----------------------------------|
| V <sub>IL2C</sub> | Input low level  | –                     | –   | 0.3 × V <sub>DD</sub>  | V     | 2.4 V ≤ V <sub>DD</sub> ≤ 3.6 V   |
|                   |                  | –                     | –   | 0.25 × V <sub>DD</sub> | V     | 4.75 V ≤ V <sub>DD</sub> ≤ 5.25 V |
| V <sub>IH2C</sub> | Input high level | 0.7 × V <sub>DD</sub> | –   | –                      | V     | 2.4 V ≤ V <sub>DD</sub> ≤ 5.25 V  |

Notes

25. The 50,000 cycle flash endurance per block is only guaranteed if the flash is operating within one voltage range. Voltage ranges are 2.4 V to 3.0 V, 3.0 V to 3.6 V, and 4.75 V to 5.25 V.
26. A maximum of 36 × 50,000 block endurance cycles is allowed. This may be balanced between operations on 36 × 1 blocks of 50,000 maximum cycles each, 36 × 2 blocks of 25,000 maximum cycles each, or 36 × 4 blocks of 12,500 maximum cycles each (to limit the total number of cycles to 36 × 50,000 and ensure that no single block ever sees more than 50,000 cycles). For the full industrial range, you must employ a temperature sensor user module (FlashTemp) and feed the result to the temperature argument before writing. Refer to the Flash APIs application note AN2015 (Design Aids - Reading and Writing PSoC<sup>®</sup> Flash) for more information.
27. All GPIO meet the DC GPIO VIL and VIH specifications found in the DC GPIO Specifications sections. The I<sup>2</sup>C GPIO pins also meet the above specs.

## AC Electrical Characteristics

### AC Chip-Level Specifications

The following tables list the guaranteed maximum and minimum specifications for the voltage and temperature ranges: 4.75 V to 5.25 V and  $-40\text{ }^{\circ}\text{C} \leq T_A \leq 85\text{ }^{\circ}\text{C}$ , 3.0 V to 3.6 V and  $-40\text{ }^{\circ}\text{C} \leq T_A \leq 85\text{ }^{\circ}\text{C}$ , or 2.4 V to 3.0 V and  $-40\text{ }^{\circ}\text{C} \leq T_A \leq 85\text{ }^{\circ}\text{C}$ , respectively. Typical parameters are measured at 5 V, 3.3 V, or 2.7 V at 25 °C and are for design guidance only.

**Table 16. 5-V and 3.3-V AC Chip-Level Specifications**

| Symbol                             | Description  | Min   | Typ  | Max                     | Units | Notes   |
|------------------------------------|--|-------|------|-------------------------|-------|---|
| F <sub>IMO24</sub> <sup>[28]</sup> | IMO frequency for 24 MHz   | 23.4  | 24   | 24.6 <sup>[29,30]</sup> | MHz   | Trimmed for 5 V or 3.3 V operation using factory trim values. See <a href="#">Figure 14 on page 20</a> . SLIMO mode = 0   |
| F <sub>IMO6</sub> <sup>[28]</sup>  | IMO frequency for 6 MHz  | 5.52  | 6    | 6.48 <sup>[29,30]</sup> | MHz   | Trimmed for 5 V or 3.3 V operation using factory trim values. See <a href="#">Figure 14 on page 20</a> . SLIMO mode = 1   |
| F <sub>CPU1</sub>                  | CPU frequency (5 V nominal)  | 0.091 | 24   | 24.6 <sup>[29]</sup>    | MHz   | 24 MHz only for SLIMO mode = 0  |
| F <sub>CPU2</sub>                  | CPU frequency (3.3 V nominal)                                      | 0.091 | 12   | 12.3 <sup>[30]</sup>    | MHz   | SLIMO mode = 0  |
| F <sub>BLK5</sub>                  | Digital PSoC block frequency (5 V nominal)                         | 0     | 48   | 49.2 <sup>[29,31]</sup> | MHz   | Refer to <a href="#">AC Digital Block Specifications on page 29</a>   |
| F <sub>BLK33</sub>                 | Digital PSoC block frequency (3.3 V nominal)                       | 0     | 24   | 24.6 <sup>[31]</sup>    | MHz   |   |
| F <sub>32K1</sub>                  | ILO frequency  | 15    | 32   | 64                      | kHz   |   |
| F <sub>32K_U</sub>                 | ILO untrimmed frequency  | 5     | –    | 100                     | kHz   | After a reset and before the M8C starts to run, the ILO is not trimmed. See the system resets section of the <a href="#">PSoC Technical Reference Manual</a> for details on this timing |
| t <sub>XRST</sub>                  | External reset pulse width   | 10    | –    | –                       | μs    |   |
| DC <sub>24M</sub>                  | 24 MHz duty cycle  | 40    | 50   | 60                      | %     |   |
| DC <sub>ILO</sub>                  | ILO duty cycle   | 20    | 50   | 80                      | %     |   |
| Step <sub>24M</sub>                | 24 MHz trim step size  | –     | 50   | –                       | kHz   |   |
| F <sub>out48M</sub>                | 48 MHz output frequency  | 46.8  | 48.0 | 49.2 <sup>[29,30]</sup> | MHz   | Trimmed. Using factory trim values  |
| F <sub>MAX</sub>                   | Maximum frequency of signal on row input or row output.            | –     | –    | 12.3                    | MHz   |   |
| SR <sub>POWER_UP</sub>             | Power supply slew rate   | –     | –    | 250                     | V/ms  | V <sub>DD</sub> slew rate during power-up   |
| t <sub>POWERUP</sub>               | Time from end of POR to CPU executing code                         | –     | 16   | 100                     | ms    | Power-up from 0 V. See the System Resets section of the <a href="#">PSoC Technical Reference Manual</a>   |
| t <sub>jit_IMO</sub>               | 24-MHz IMO cycle-to-cycle jitter (RMS) <sup>[32]</sup>             | –     | 200  | 700                     | ps    |   |
|                                    | 24-MHz IMO long term N cycle-to-cycle jitter (RMS) <sup>[32]</sup> | –     | 300  | 900                     | ps    | N = 32  |
|                                    | 24-MHz IMO period jitter (RMS) <sup>[32]</sup>                     | –     | 100  | 400                     | ps    |   |

#### Notes

28. **Errata:** The worst case IMO frequency deviation when operated below 0 °C and above +70 °C and within the upper and lower datasheet temperature range is ±5%.

29. 4.75 V < V<sub>DD</sub> < 5.25 V.

30. 3.0 V < V<sub>DD</sub> < 3.6 V. See application note [AN2012](#) "Adjusting PSoC Microcontroller Trims for Dual Voltage-Range Operation" for information on trimming for operation at 3.3 V.

31. See the individual user module datasheets for information on maximum frequencies for user modules.

32. Refer to Cypress Jitter Specifications Application Note [AN5054](#) "Understanding Datasheet Jitter Specifications for Cypress Timing Products" at [www.cypress.com](http://www.cypress.com) under Application Notes for more information.

**Table 17. 2.7-V AC Chip-Level Specifications**

| Symbol                             | Description  | Min   | Typ | Max                       | Units | Notes   |
|------------------------------------|--|-------|-----|---------------------------|-------|---|
| F <sub>IMO12</sub> <sup>[33]</sup> | IMO frequency for 12 MHz   | 11.04 | 12  | 12.96 <sup>[34, 35]</sup> | MHz   | Trimmed for 2.7 V operation using factory trim values. See <a href="#">Figure 14 on page 20</a> . SLIMO mode = 1  |
| F <sub>IMO6</sub> <sup>[33]</sup>  | IMO frequency for 6 MHz  | 5.52  | 6   | 6.48 <sup>[34, 35]</sup>  | MHz   | Trimmed for 2.7 V operation using factory trim values. See <a href="#">Figure 14 on page 20</a> . SLIMO mode = 1  |
| F <sub>CPU1</sub>                  | CPU frequency (2.7 V nominal)                                      | 0.093 | 3   | 3.15 <sup>[34]</sup>      | MHz   | 12 MHz only for SLIMO mode = 0  |
| F <sub>BLK27</sub>                 | Digital PSoC block frequency (2.7 V nominal)                       | 0     | 12  | 12.5 <sup>[34,35]</sup>   | MHz   | Refer to <a href="#">AC Digital Block Specifications on page 29</a>   |
| F <sub>32K1</sub>                  | ILO frequency  | 8     | 32  | 96                        | kHz   |   |
| F <sub>32K_U</sub>                 | ILO untrimmed frequency  | 5     | –   | 100                       | kHz   | After a reset and before the M8C starts to run, the ILO is not trimmed. See the System Resets section of the <a href="#">PSoC Technical Reference Manual</a> for details on this timing |
| t <sub>XRST</sub>                  | External reset pulse width   | 10    | –   | –                         | μs    |   |
| DC <sub>ILO</sub>                  | ILO duty cycle   | 20    | 50  | 80                        | %     |   |
| F <sub>MAX</sub>                   | Maximum frequency of signal on row input or row output.            | –     | –   | 12.3                      | MHz   |   |
| SR <sub>POWER_UP</sub>             | Power supply slew rate   | –     | –   | 250                       | V/ms  | V <sub>DD</sub> slew rate during power-up   |
| t <sub>POWERUP</sub>               | Time from end of POR to CPU executing code                         | –     | 16  | 100                       | ms    | Power-up from 0 V. See the System Resets section of the <a href="#">PSoC Technical Reference Manual</a> .   |
| t <sub>jit_IMO</sub>               | 12 MHz IMO cycle-to-cycle jitter (RMS) <sup>[36]</sup>             | –     | 400 | 1000                      | ps    |   |
|                                    | 12 MHz IMO long term N cycle-to-cycle jitter (RMS) <sup>[36]</sup> | –     | 600 | 1300                      | ps    | N = 32  |
|                                    | 12 MHz IMO period jitter (RMS) <sup>[36]</sup>                     | –     | 100 | 500                       | ps    |   |

**Notes**

33. **Errata:** The worst case IMO frequency deviation when operated below 0 °C and above +70 °C and within the upper and lower datasheet temperature range is ±5%.

34. 2.4 V < V<sub>DD</sub> < 3.0 V.

35. See Application Note [AN2012](#) “Adjusting PSoC Microcontroller Trims for Dual Voltage-Range Operation” available at <http://www.cypress.com> for information on maximum frequency for user modules.

36. Refer to Cypress Jitter Specifications Application Note [AN5054](#) “Understanding Datasheet Jitter Specifications for Cypress Timing Products” at [www.cypress.com](http://www.cypress.com) under Application Notes for more information.

AC General Purpose I/O Specifications

The following tables list the guaranteed maximum and minimum specifications for the voltage and temperature ranges: 4.75 V to 5.25 V and  $-40\text{ }^{\circ}\text{C} \leq T_A \leq 85\text{ }^{\circ}\text{C}$ , 3.0 V to 3.6 V and  $-40\text{ }^{\circ}\text{C} \leq T_A \leq 85\text{ }^{\circ}\text{C}$ , or 2.4 V to 3.0 V and  $-40\text{ }^{\circ}\text{C} \leq T_A \leq 85\text{ }^{\circ}\text{C}$ , respectively. Typical parameters are measured at 5 V, 3.3 V, or 2.7 V at 25 °C and are for design guidance only.

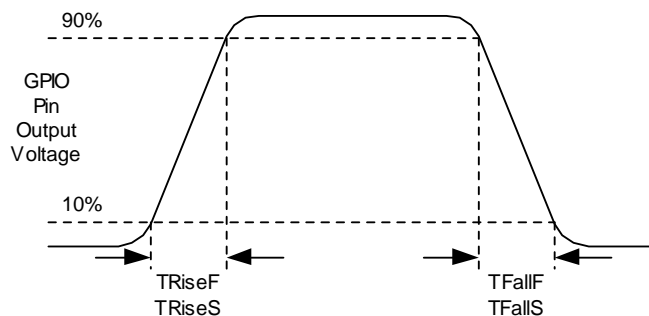
Table 18. 5-V and 3.3-V AC GPIO Specifications

| Symbol             | Description                                 | Min | Typ | Max | Units | Notes                                       |
|--------------------|---|-----|-----|-----|-------|---|
| $F_{\text{GPIO}}$  | GPIO operating frequency                    | 0   | –   | 12  | MHz   | Normal strong mode                          |
| $T_{\text{RiseF}}$ | Rise time, normal strong mode, Load = 50 pF | 3   | –   | 18  | ns    | $V_{\text{DD}} = 4.5$ to 5.25 V, 10% to 90% |
| $T_{\text{FallF}}$ | Fall time, normal strong mode, Load = 50 pF | 2   | –   | 18  | ns    | $V_{\text{DD}} = 4.5$ to 5.25 V, 10% to 90% |
| $T_{\text{RiseS}}$ | Rise time, slow strong mode, Load = 50 pF   | 7   | 27  | –   | ns    | $V_{\text{DD}} = 3$ to 5.25 V, 10% to 90%   |
| $T_{\text{FallS}}$ | Fall time, slow strong mode, Load = 50 pF   | 7   | 22  | –   | ns    | $V_{\text{DD}} = 3$ to 5.25 V, 10% to 90%   |

Table 19. 2.7 V AC GPIO Specifications

| Symbol             | Description                                 | Min | Typ | Max | Units | Notes                                      |
|--------------------|---|-----|-----|-----|-------|--|
| $F_{\text{GPIO}}$  | GPIO operating frequency                    | 0   | –   | 3   | MHz   | Normal strong mode                         |
| $T_{\text{RiseF}}$ | Rise time, normal strong mode, Load = 50 pF | 6   | –   | 50  | ns    | $V_{\text{DD}} = 2.4$ to 3.0 V, 10% to 90% |
| $T_{\text{FallF}}$ | Fall time, normal strong mode, Load = 50 pF | 6   | –   | 50  | ns    | $V_{\text{DD}} = 2.4$ to 3.0 V, 10% to 90% |
| $T_{\text{RiseS}}$ | Rise time, slow strong mode, Load = 50 pF   | 18  | 40  | 120 | ns    | $V_{\text{DD}} = 2.4$ to 3.0 V, 10% to 90% |
| $T_{\text{FallS}}$ | Fall time, slow strong mode, Load = 50 pF   | 18  | 40  | 120 | ns    | $V_{\text{DD}} = 2.4$ to 3.0 V, 10% to 90% |

Figure 13. GPIO Timing Diagram



AC Operational Amplifier Specifications

Table 20 lists the guaranteed maximum and minimum specifications for the voltage and temperature ranges: 4.75 V to 5.25 V and  $-40\text{ }^{\circ}\text{C} \leq T_A \leq 85\text{ }^{\circ}\text{C}$ , 3.0 V to 3.6 V and  $-40\text{ }^{\circ}\text{C} \leq T_A \leq 85\text{ }^{\circ}\text{C}$ , or 2.4 V to 3.0 V and  $-40\text{ }^{\circ}\text{C} \leq T_A \leq 85\text{ }^{\circ}\text{C}$ , respectively. Typical parameters are measured at 5 V, 3.3 V, or 2.7 V at 25 °C and are for design guidance only.

Table 20. AC Operational Amplifier Specifications

| Symbol            | Description                                    | Min | Typ | Max        | Units    | Notes  |
|-------------------|--|-----|-----|------------|----------|--|
| $T_{\text{COMP}}$ | Comparator mode response time, 50 mV overdrive | –   | –   | 100<br>200 | ns<br>ns | $V_{\text{DD}} \geq 3.0\text{ V}$<br>$2.4\text{ V} < V_{\text{DD}} < 3.0\text{ V}$ |

*AC Digital Block Specifications*

The following tables list the guaranteed maximum and minimum specifications for the voltage and temperature ranges: 4.75 V to 5.25 V and  $-40\text{ }^{\circ}\text{C} \leq T_A \leq 85\text{ }^{\circ}\text{C}$ , 3.0 V to 3.6 V and  $-40\text{ }^{\circ}\text{C} \leq T_A \leq 85\text{ }^{\circ}\text{C}$ , or 2.4 V to 3.0 V and  $-40\text{ }^{\circ}\text{C} \leq T_A \leq 85\text{ }^{\circ}\text{C}$ , respectively. Typical parameters are measured at 5 V, 3.3 V, or 2.7 V at 25 °C and are for design guidance only.

**Table 21. 5-V and 3.3-V AC Digital Block Specifications**

| Function          | Description                                  | Min                | Typ | Max  | Unit | Notes   |
|-------------------|--|--------------------|-----|------|------|---|
| All functions     | Block input clock frequency                  |                    |     |      |      |   |
|                   | $V_{DD} \geq 4.75\text{ V}$                  | –                  | –   | 49.2 | MHz  |   |
|                   | $V_{DD} < 4.75\text{ V}$                     | –                  | –   | 24.6 | MHz  |   |
| Timer             | Input clock frequency                        |                    |     |      |      |   |
|                   | No capture, $V_{DD} \geq 4.75\text{ V}$      | –                  | –   | 49.2 | MHz  |   |
|                   | No capture, $V_{DD} < 4.75\text{ V}$         | –                  | –   | 24.6 | MHz  |   |
|                   | With capture                                 | –                  | –   | 24.6 | MHz  |   |
|                   | Capture pulse width                          | 50 <sup>[37]</sup> | –   | –    | ns   |   |
| Counter           | Input clock frequency                        |                    |     |      |      |   |
|                   | No enable input, $V_{DD} \geq 4.75\text{ V}$ | –                  | –   | 49.2 | MHz  |   |
|                   | No enable input, $V_{DD} < 4.75\text{ V}$    | –                  | –   | 24.6 | MHz  |   |
|                   | With enable input                            | –                  | –   | 24.6 | MHz  |   |
|                   | Enable input pulse width                     | 50 <sup>[37]</sup> | –   | –    | ns   |   |
| Dead Band         | Kill pulse width                             |                    |     |      |      |   |
|                   | Asynchronous restart mode                    | 20                 | –   | –    | ns   |   |
|                   | Synchronous restart mode                     | 50 <sup>[37]</sup> | –   | –    | ns   |   |
|                   | Disable mode                                 | 50 <sup>[37]</sup> | –   | –    | ns   |   |
|                   | Input clock frequency                        |                    |     |      |      |   |
|                   | $V_{DD} \geq 4.75\text{ V}$                  | –                  | –   | 49.2 | MHz  |   |
|                   | $V_{DD} < 4.75\text{ V}$                     | –                  | –   | 24.6 | MHz  |   |
| CRCPRS (PRS Mode) | Input clock frequency                        |                    |     |      |      |   |
|                   | $V_{DD} \geq 4.75\text{ V}$                  | –                  | –   | 49.2 | MHz  |   |
|                   | $V_{DD} < 4.75\text{ V}$                     | –                  | –   | 24.6 | MHz  |   |
| CRCPRS (CRC Mode) | Input clock frequency                        | –                  | –   | 24.6 | MHz  |   |
| SPIM              | Input clock frequency                        | –                  | –   | 8.2  | MHz  | The SPI serial clock (SCLK) frequency is equal to the input clock frequency divided by 2. |
| SPIS              | Input clock (SCLK) frequency                 | –                  | –   | 4.1  | MHz  | The input clock is the SPI SCLK in SPIS mode.   |
|                   | Width of SS_negated between transmissions    | 50 <sup>[37]</sup> | –   | –    | ns   |   |
| Transmitter       | Input clock frequency                        |                    |     |      |      | The baud rate is equal to the input clock frequency divided by 8.                         |
|                   | $V_{DD} \geq 4.75\text{ V}$ , 2 stop bits    | –                  | –   | 49.2 | MHz  |   |
|                   | $V_{DD} \geq 4.75\text{ V}$ , 1 stop bit     | –                  | –   | 24.6 | MHz  |   |
|                   | $V_{DD} < 4.75\text{ V}$                     | –                  | –   | 24.6 | MHz  |   |
| Receiver          | Input clock frequency                        |                    |     |      |      | The baud rate is equal to the input clock frequency divided by 8.                         |
|                   | $V_{DD} \geq 4.75\text{ V}$ , 2 stop bits    | –                  | –   | 49.2 | MHz  |   |
|                   | $V_{DD} \geq 4.75\text{ V}$ , 1 stop bit     | –                  | –   | 24.6 | MHz  |   |
|                   | $V_{DD} < 4.75\text{ V}$                     | –                  | –   | 24.6 | MHz  |   |

**Note**

37. 50 ns minimum input pulse width is based on the input synchronizers running at 24 MHz (42 ns nominal period).

**Table 22. 2.7-V AC Digital Block Specifications**

| Function          | Description                                    | Min                 | Typ | Max  | Units | Notes   |
|-------------------|--|---------------------|-----|------|-------|---|
| All functions     | Block input clock frequency                    | –                   | –   | 12.7 | MHz   | 2.4 V < V <sub>DD</sub> < 3.0 V   |
| Timer             | Capture pulse width                            | 100 <sup>[38]</sup> | –   | –    | ns    |   |
|                   | Input clock frequency, with or without capture | –                   | –   | 12.7 | MHz   |   |
| Counter           | Enable input pulse width                       | 100                 | –   | –    | ns    |   |
|                   | Input clock frequency, no enable input         | –                   | –   | 12.7 | MHz   |   |
|                   | Input clock frequency, enable input            | –                   | –   | 12.7 | MHz   |   |
| Dead Band         | Kill pulse width:                              |                     |     |      |       |   |
|                   | Asynchronous restart mode                      | 20                  | –   | –    | ns    |   |
|                   | Synchronous restart mode                       | 100                 | –   | –    | ns    |   |
|                   | Disable mode                                   | 100                 | –   | –    | ns    |   |
|                   | Input clock frequency                          | –                   | –   | 12.7 | MHz   |   |
| CRCPRS (PRS Mode) | Input clock frequency                          | –                   | –   | 12.7 | MHz   |   |
| CRCPRS (CRC Mode) | Input clock frequency                          | –                   | –   | 12.7 | MHz   |   |
| SPIM              | Input clock frequency                          | –                   | –   | 6.35 | MHz   | The SPI serial clock (SCLK) frequency is equal to the input clock frequency divided by 2. |
| SPIS              | Input clock (SCLK) frequency                   | –                   | –   | 4.1  | MHz   |   |
|                   | Width of SS_ Negated between transmissions     | 100                 | –   | –    | ns    |   |
| Transmitter       | Input clock frequency                          | –                   | –   | 12.7 | MHz   | The baud rate is equal to the input clock frequency divided by 8.                         |
| Receiver          | Input clock frequency                          | –                   | –   | 12.7 | MHz   | The baud rate is equal to the input clock frequency divided by 8.                         |

*AC External Clock Specifications*

The following tables list the guaranteed maximum and minimum specifications for the voltage and temperature ranges: 4.75 V to 5.25 V and  $-40\text{ }^{\circ}\text{C} \leq T_A \leq 85\text{ }^{\circ}\text{C}$ , or 3.0 V to 3.6 V and  $-40\text{ }^{\circ}\text{C} \leq T_A \leq 85\text{ }^{\circ}\text{C}$ , respectively. Typical parameters are measured at 5 V, 3.3 V, or 2.7 V at 25 °C and are for design guidance only.

**Table 23. 5-V AC External Clock Specifications**

| Symbol              | Description            | Min   | Typ | Max  | Units | Notes |
|---------------------|------------------------|-------|-----|------|-------|-------|
| F <sub>OSCEXT</sub> | Frequency              | 0.093 | –   | 24.6 | MHz   |       |
| –                   | High period            | 20.6  | –   | 5300 | ns    |       |
| –                   | Low period             | 20.6  | –   | –    | ns    |       |
| –                   | Power-up IMO to switch | 150   | –   | –    | µs    |       |

**Note**

38. 100 ns minimum input pulse width is based on the input synchronizers running at 12 MHz (84 ns nominal period).



**Table 24. 3.3-V AC External Clock Specifications**

| Symbol              | Description                                     | Min   | Typ | Max  | Units | Notes  |
|---------------------|---|-------|-----|------|-------|--|
| F <sub>OSCEXT</sub> | Frequency with CPU clock divide by 1            | 0.093 | –   | 12.3 | MHz   | Maximum CPU frequency is 12 MHz at 3.3 V. With the CPU clock divider set to 1, the external clock must adhere to the maximum frequency and duty cycle requirements   |
| F <sub>OSCEXT</sub> | Frequency with CPU clock divide by 2 or greater | 0.186 | –   | 24.6 | MHz   | If the frequency of the external clock is greater than 12 MHz, the CPU clock divider must be set to 2 or greater. In this case, the CPU clock divider ensures that the fifty percent duty cycle requirement is met |
| –                   | High period with CPU clock divide by 1          | 41.7  | –   | 5300 | ns    |  |
| –                   | Low period with CPU clock divide by 1           | 41.7  | –   | –    | ns    |  |
| –                   | Power-up IMO to switch                          | 150   | –   | –    | µs    |  |

**Table 25. 2.7-V AC External Clock Specifications**

| Symbol              | Description                                     | Min   | Typ | Max  | Units | Notes   |
|---------------------|---|-------|-----|------|-------|---|
| F <sub>OSCEXT</sub> | Frequency with CPU clock divide by 1            | 0.093 | –   | 3.08 | MHz   | Maximum CPU frequency is 3 MHz at 2.7 V. With the CPU clock divider set to 1, the external clock must adhere to the maximum frequency and duty cycle requirements   |
| F <sub>OSCEXT</sub> | Frequency with CPU clock divide by 2 or greater | 0.186 | –   | 6.35 | MHz   | If the frequency of the external clock is greater than 3 MHz, the CPU clock divider must be set to 2 or greater. In this case, the CPU clock divider ensures that the fifty percent duty cycle requirement is met |
| –                   | High period with CPU clock divide by 1          | 160   | –   | 5300 | ns    |   |
| –                   | Low period with CPU clock divide by 1           | 160   | –   | –    | ns    |   |
| –                   | Power-up IMO to switch                          | 150   | –   | –    | µs    |   |

*AC Programming Specifications*

Table 26 lists the guaranteed maximum and minimum specifications for the voltage and temperature ranges: 4.75 V to 5.25 V and  $-40\text{ }^{\circ}\text{C} \leq T_A \leq 85\text{ }^{\circ}\text{C}$ , or 3.0 V to 3.6 V and  $-40\text{ }^{\circ}\text{C} \leq T_A \leq 85\text{ }^{\circ}\text{C}$ , respectively. Typical parameters are measured at 5 V, 3.3 V, or 2.7 V at 25 °C and are for design guidance only.

**Table 26. AC Programming Specifications**

| Symbol                    | Description                                | Min | Typ | Max                 | Units | Notes  |
|---------------------------|--|-----|-----|---------------------|-------|--|
| T <sub>RSCLK</sub>        | Rise time of SCLK                          | 1   | –   | 20                  | ns    |  |
| T <sub>FSCLK</sub>        | Fall time of SCLK                          | 1   | –   | 20                  | ns    |  |
| T <sub>SSCLK</sub>        | Data setup time to falling edge of SCLK    | 40  | –   | –                   | ns    |  |
| T <sub>HSCLK</sub>        | Data hold time from falling edge of SCLK   | 40  | –   | –                   | ns    |  |
| F <sub>SCLK</sub>         | Frequency of SCLK                          | 0   | –   | 8                   | MHz   |  |
| T <sub>ERASEB</sub>       | Flash erase time (block)                   | –   | 10  | –                   | ms    |  |
| T <sub>WRITE</sub>        | Flash block write time                     | –   | 40  | –                   | ms    |  |
| T <sub>DSCLK</sub>        | Data out delay from falling edge of SCLK   | –   | –   | 45                  | ns    | 3.6 < V <sub>DD</sub>                          |
| T <sub>DSCLK3</sub>       | Data out delay from falling edge of SCLK   | –   | –   | 50                  | ns    | 3.0 ≤ V <sub>DD</sub> ≤ 3.6                    |
| T <sub>DSCLK2</sub>       | Data out delay from falling edge of SCLK   | –   | –   | 70                  | ns    | 2.4 ≤ V <sub>DD</sub> ≤ 3.0                    |
| T <sub>ERASEALL</sub>     | Flash erase time (Bulk)                    | –   | 20  | –                   | ms    | Erase all blocks and protection fields at once |
| T <sub>PROGRAM_HOT</sub>  | Flash block erase + flash block write time | –   | –   | 100 <sup>[39]</sup> | ms    | 0 °C ≤ T <sub>j</sub> ≤ 100 °C                 |
| T <sub>PROGRAM_COLD</sub> | Flash block erase + flash block write time | –   | –   | 200 <sup>[39]</sup> | ms    | –40 °C ≤ T <sub>j</sub> ≤ 0 °C                 |

*AC I<sup>2</sup>C [40] Specifications*

The following tables list the guaranteed maximum and minimum specifications for the voltage and temperature ranges: 4.75 V to 5.25 V and  $-40\text{ }^{\circ}\text{C} \leq T_A \leq 85\text{ }^{\circ}\text{C}$ , 3.0 V to 3.6 V and  $-40\text{ }^{\circ}\text{C} \leq T_A \leq 85\text{ }^{\circ}\text{C}$ , or 2.4 V to 3.0 V and  $-40\text{ }^{\circ}\text{C} \leq T_A \leq 85\text{ }^{\circ}\text{C}$ , respectively. Typical parameters are measured at 5 V, 3.3 V, or 2.7 V at 25 °C and are for design guidance only.

**Table 27. AC Characteristics of the I<sup>2</sup>C SDA and SCL Pins for V<sub>DD</sub> ≥ 3.0 V**

| Symbol                | Description   | Standard Mode |     | Fast Mode           |     | Units |
|-----------------------|---|---------------|-----|---------------------|-----|-------|
|                       |   | Min           | Max | Min                 | Max |       |
| F <sub>SCL2C</sub>    | SCL clock frequency   | 0             | 100 | 0                   | 400 | kHz   |
| T <sub>HDSTAI2C</sub> | Hold time (repeated) start condition. After this period, the first clock pulse is generated | 4.0           | –   | 0.6                 | –   | µs    |
| T <sub>LOWI2C</sub>   | Low period of the SCL clock   | 4.7           | –   | 1.3                 | –   | µs    |
| T <sub>HIGHI2C</sub>  | High period of the SCL clock  | 4.0           | –   | 0.6                 | –   | µs    |
| T <sub>SUSTAI2C</sub> | Setup time for a repeated start condition   | 4.7           | –   | 0.6                 | –   | µs    |
| T <sub>HDDATI2C</sub> | Data hold time  | 0             | –   | 0                   | –   | µs    |
| T <sub>SUDATI2C</sub> | Data setup time   | 250           | –   | 100 <sup>[41]</sup> | –   | ns    |
| T <sub>SUSTOI2C</sub> | Setup time for stop condition   | 4.0           | –   | 0.6                 | –   | µs    |
| T <sub>BUF2C</sub>    | Bus free time between a stop and start condition  | 4.7           | –   | 1.3                 | –   | µs    |
| T <sub>SPI2C</sub>    | Pulse width of spikes suppressed by the input filter.                                       | –             | –   | 0                   | 50  | ns    |

**Notes**

39. For the full industrial range, the user must employ a temperature sensor user module (FlashTemp) and feed the result to the temperature argument before writing. Refer to the Flash APIs application note AN2015 (Design Aids - Reading and Writing PSoC® Flash) for more information.

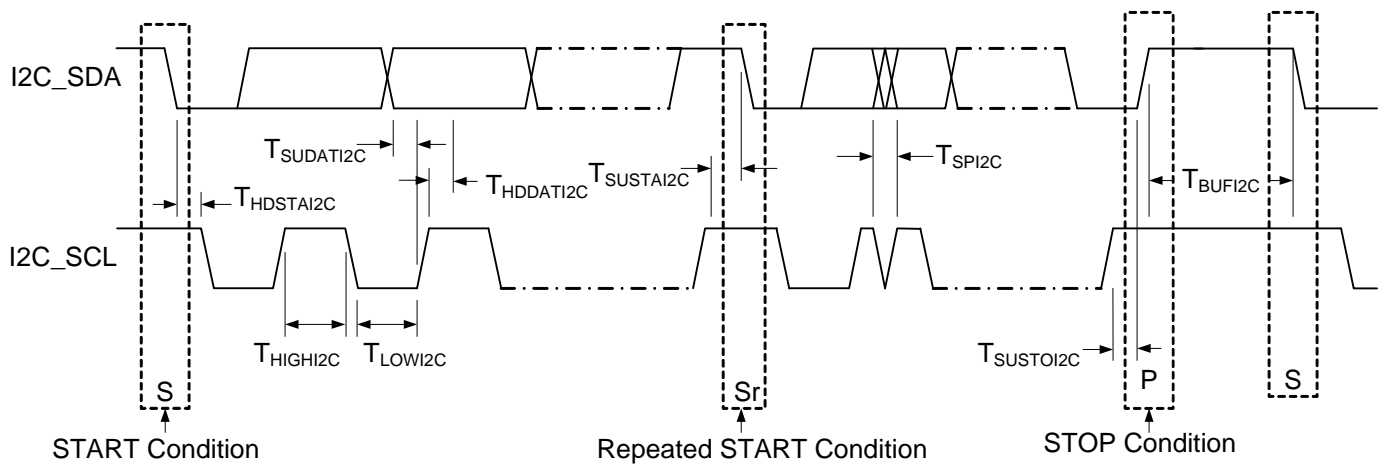
40. **Errata:** The I<sup>2</sup>C block exhibits occasional data and bus corruption errors when the I<sup>2</sup>C master initiates transactions while the device is transitioning in to or out of sleep mode.

41. A Fast-Mode I<sup>2</sup>C-bus device may be used in a Standard-Mode I<sup>2</sup>C-bus system, but it must meet the requirement T<sub>SU;DAT</sub> ≥ 250 ns. This is automatically the case if the device does not stretch the LOW period of the SCL signal. If the device does stretch the LOW period of the SCL signal, it must output the next data bit to the SDA line T<sub>rmax</sub> + T<sub>SU;DAT</sub> = 1000 + 250 = 1250 ns (according to the Standard-Mode I<sup>2</sup>C-bus specification) before the SCL line is released.

Table 28. 2.7-V AC Characteristics of the I<sup>2</sup>C SDA and SCL Pins (Fast Mode not Supported)

| Symbol                 | Description  | Standard Mode |     | Fast Mode |     | Units |
|------------------------|--|---------------|-----|-----------|-----|-------|
|                        |  | Min           | Max | Min       | Max |       |
| F <sub>SCL I2C</sub>   | SCL clock frequency  | 0             | 100 | –         | –   | kHz   |
| T <sub>HDSTAI2C</sub>  | Hold time (repeated) start condition. After this period, the first clock pulse is generated. | 4.0           | –   | –         | –   | μs    |
| T <sub>LOWI2C</sub>    | Low period of the SCL clock  | 4.7           | –   | –         | –   | μs    |
| T <sub>HIGHI2C</sub>   | High period of the SCL clock   | 4.0           | –   | –         | –   | μs    |
| T <sub>SUSTA I2C</sub> | Setup time for a repeated start condition  | 4.7           | –   | –         | –   | μs    |
| T <sub>HDDATI2C</sub>  | Data hold time   | 0             | –   | –         | –   | μs    |
| T <sub>SUDATI2C</sub>  | Data setup time  | 250           | –   | –         | –   | ns    |
| T <sub>SUSTOI2C</sub>  | Setup time for stop condition  | 4.0           | –   | –         | –   | μs    |
| T <sub>BUFI2C</sub>    | Bus free time between a stop and start condition   | 4.7           | –   | –         | –   | μs    |
| T <sub>SPI2C</sub>     | Pulse width of spikes are suppressed by the input filter.                                    | –             | –   | –         | –   | ns    |

Figure 14. Definition for Timing for Fast/Standard Mode on the I<sup>2</sup>C Bus

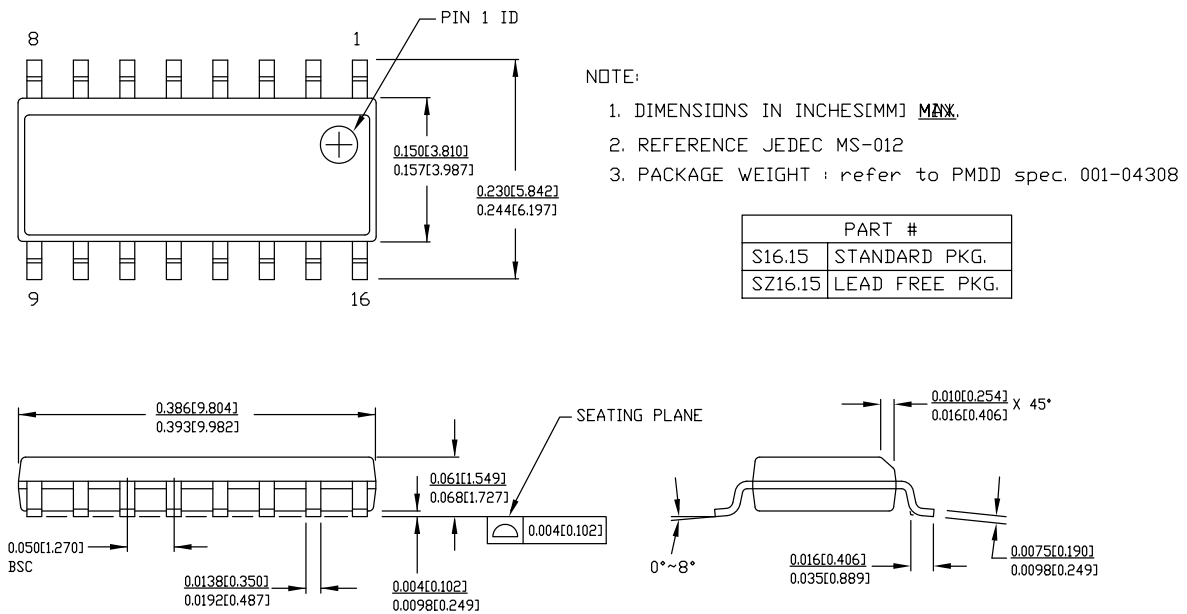


### Packaging Information

This section shows the packaging specifications for the CY8C21x34 PSoC device with the thermal impedances for each package.

**Important Note** Emulation tools may require a larger area on the target PCB than the chip's footprint. For a detailed description of the emulation tools' dimensions, refer to the emulator pod drawings at <http://www.cypress.com>.

Figure 15. 16-pin SOIC (150 Mils) Package Outline, 51-85068



51-85068 \*E

Figure 16. 20-pin SSOP (210 Mils) Package Outline, 51-85077

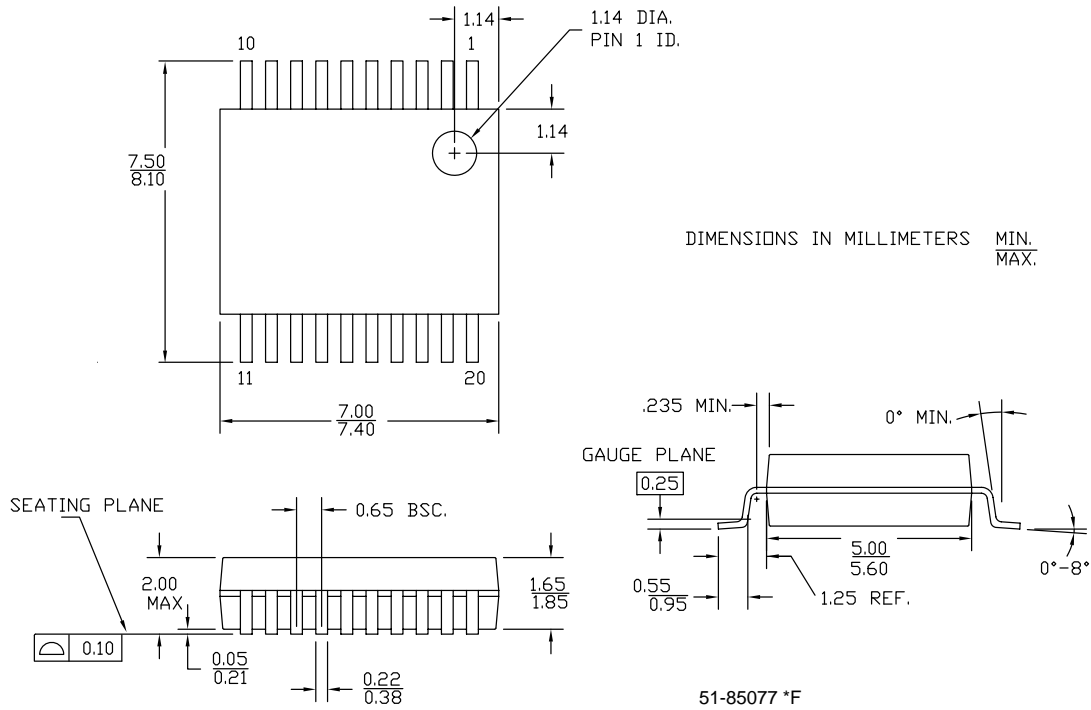


Figure 17. 28-pin SSOP (210 Mils) Package Outline, 51-85079

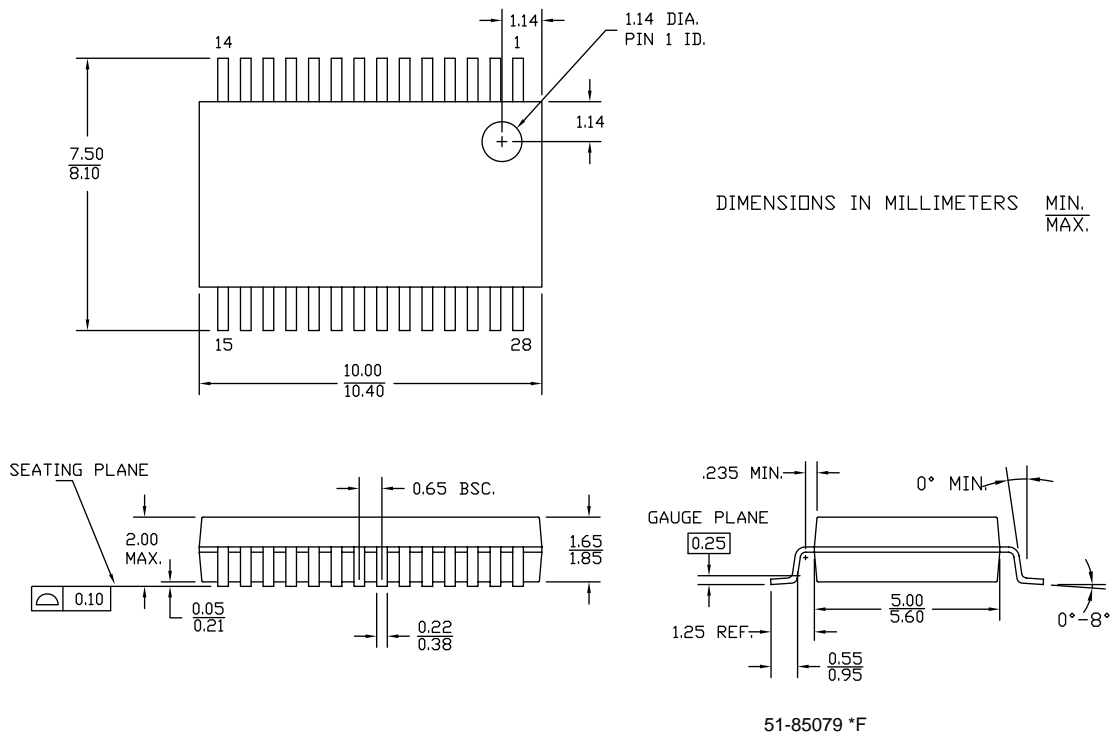
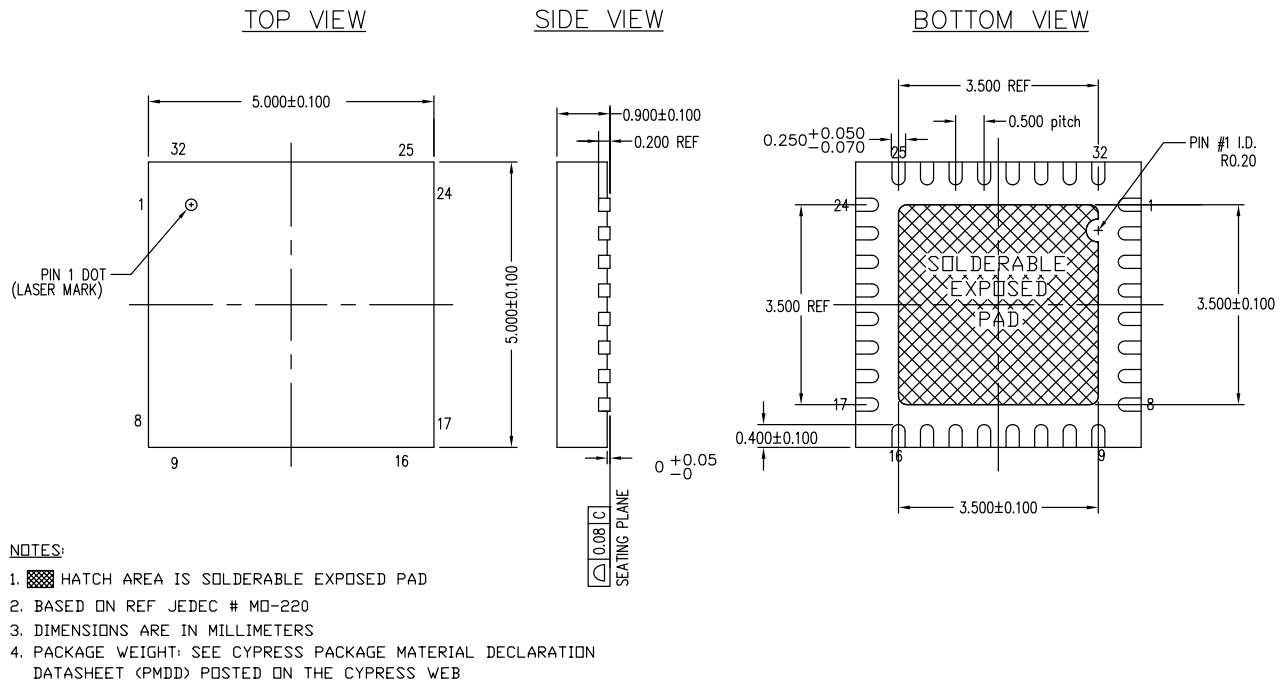


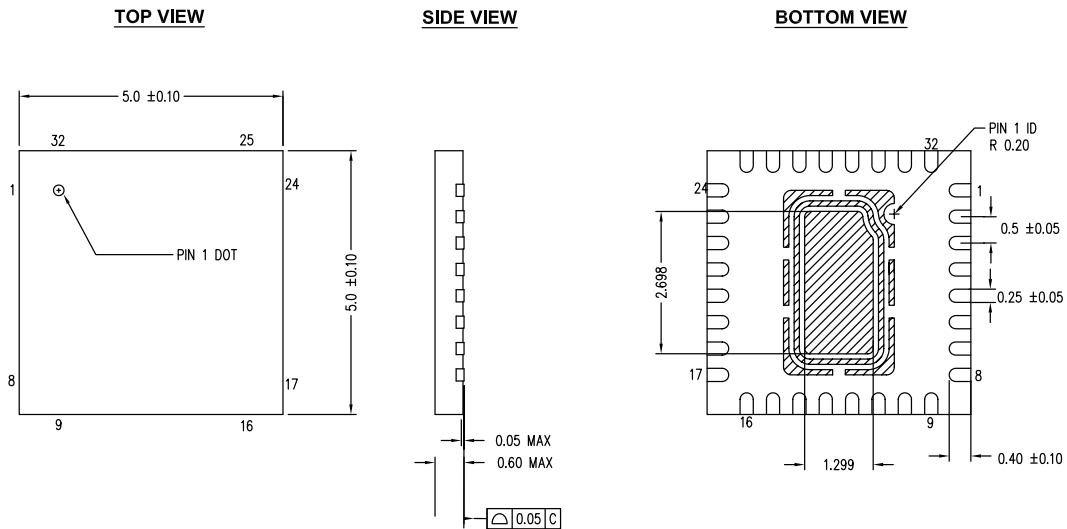
Figure 18. 32-pin QFN (5 x 5 x 1.0 mm) Package Outline, 001-30999




001-30999 \*D

**Important Note** For information on the preferred dimensions for mounting QFN packages, see the *Application Note EROS - Design Guidelines for Cypress Quad Flat No Extended Lead (QFN) Packaged Devices* available at <http://www.cypress.com>.

Figure 19. 32-pin QFN (5 × 5 × 0.55 mm) LQ32A 1.3 × 2.7 E-Pad (Sawn Type) Package Outline, 001-48913

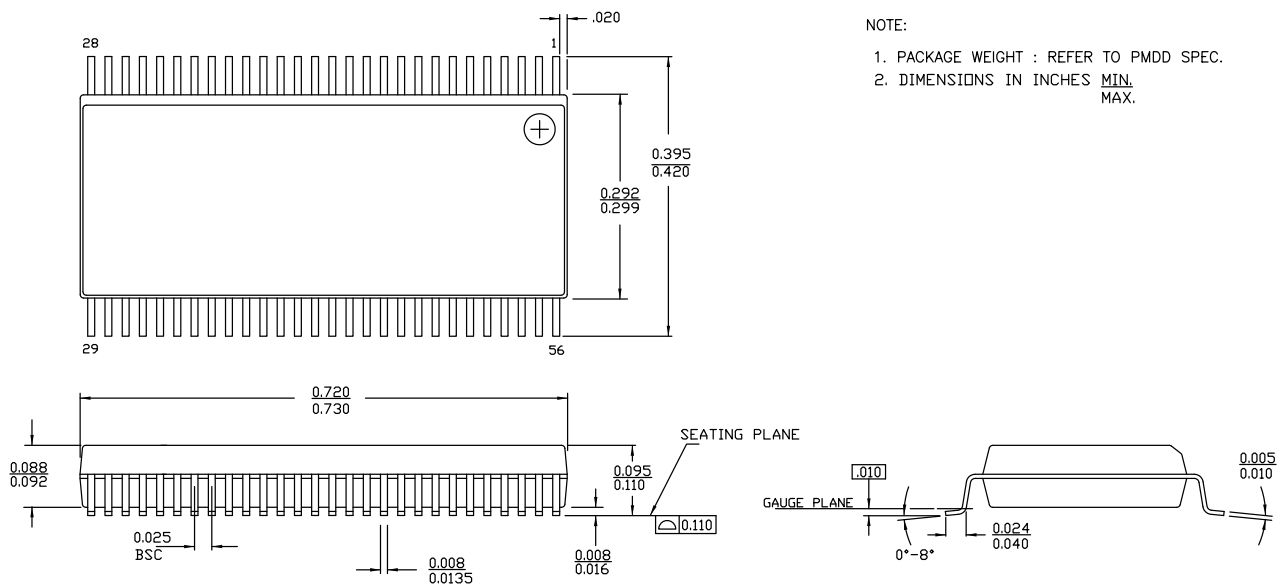


NOTES:

1.  HATCH AREA IS SOLDERABLE EXPOSED PAD
2. BASED ON REF JEDEC # MO-248
3. PACKAGE WEIGHT: 38mg ± 4 mg
4. ALL DIMENSIONS ARE IN MILLIMETERS

001-48913 \*D

Figure 20. 56-pin SSOP (300 Mils) Package Outline, 51-85062



NOTE:

1. PACKAGE WEIGHT : REFER TO PMDD SPEC.
2. DIMENSIONS IN INCHES MIN.  
MAX.

51-85062 \*F



## Thermal Impedances

**Table 29. Thermal Impedances per Package**

| Package                                      | Typical $\theta_{JA}$ <sup>[42]</sup> | Typical $\theta_{JC}$ |
|--|---------------------------------------|-----------------------|
| 16-pin SOIC                                  | 123 °C/W                              | 55 °C/W               |
| 20-pin SSOP                                  | 117 °C/W                              | 41 °C/W               |
| 28-pin SSOP                                  | 96 °C/W                               | 39 °C/W               |
| 32-pin QFN <sup>[43]</sup> 5 x 5 mm 0.60 Max | 27 °C/W                               | 15 °C/W               |
| 32-pin QFN <sup>[43]</sup> 5 x 5 mm 1.00 Max | 22 °C/W                               | 12 °C/W               |
| 56-pin SSOP                                  | 48 °C/W                               | 24 °C/W               |

## Solder Reflow Specifications

Table 30 shows the solder reflow temperature limits that must not be exceeded.

**Table 30. Solder Reflow Specifications**

| Package     | Maximum Peak Temperature ( $T_C$ ) | Maximum Time above $T_C - 5\text{ °C}$ |
|-------------|------------------------------------|--|
| 16-pin SOIC | 260 °C                             | 30 seconds                             |
| 20-pin SSOP | 260 °C                             | 30 seconds                             |
| 28-pin SSOP | 260 °C                             | 30 seconds                             |
| 32-pin QFN  | 260 °C                             | 30 seconds                             |
| 56-pin SSOP | 260 °C                             | 30 seconds                             |

### Notes

42.  $T_J = T_A + \text{Power} \times \theta_{JA}$

43. To achieve the thermal impedance specified for the QFN package, refer to *Application Note EROS - Design Guidelines for Cypress Quad Flat No Extended Lead (QFN) Packaged Devices* available at <http://www.cypress.com>.

44. Higher temperatures may be required based on the solder melting point. Typical temperatures for solder are 220 ± 5 °C with Sn-Pb or 245 ± 5 °C with Sn-Ag-Cu paste. Refer to the solder manufacturer specifications.

## Development Tool Selection

This section presents the development tools available for all current PSoC device families including the CY8C21x34 family.

### Software

#### *PSoC Designer™*

At the core of the PSoC development software suite is PSoC Designer, used to generate PSoC firmware applications. PSoC Designer is available free of charge at <http://www.cypress.com> and includes a free C compiler.

#### *PSoC Programmer*

Flexible enough to be used on the bench in development, yet suitable for factory programming, PSoC Programmer works either as a standalone programming application or operates directly from PSoC Designer. PSoC Programmer software is compatible with both PSoC ICE-Cube In-Circuit Emulator and PSoC MiniProg. PSoC programmer is available free of charge at <http://www.cypress.com>.

### Development Kits

All development kits can be purchased from the Cypress Online Store.

#### CY3215-DK Basic Development Kit

The **CY3215-DK** is for prototyping and development with PSoC Designer. This kit supports in-circuit emulation, and the software interface allows you to run, halt, and single step the processor, and view the content of specific memory locations. Advance emulation features also supported through PSoC Designer. The kit includes:

- PSoC Designer software CD
- ICE-Cube in-circuit emulator
- ICE Flex-Pod for CY8C29x66 family
- Cat-5 adapter
- Mini-Eval programming board
- 110 ~ 240 V power supply, Euro-Plug adapter
- iMAGEcraft C compiler
- ISSP cable
- USB 2.0 cable and Blue Cat-5 cable
- Two CY8C29466-24PXI 28-PDIP chip samples

### Evaluation Tools

All evaluation tools can be purchased from the Cypress Online Store.

#### *CY3210-MiniProg1*

The **CY3210-MiniProg1 kit** allows you to program PSoC devices through the MiniProg1 programming unit. The MiniProg is a small, compact prototyping programmer that connects to the PC through a provided USB 2.0 cable. The kit includes:

- MiniProg programming unit
- MiniEval socket programming and evaluation board
- 28-pin CY8C29466-24PXI PDIP PSoC device sample
- 28-pin CY8C27443-24PXI PDIP PSoC device sample
- PSoC Designer software CD
- Getting Started guide
- USB 2.0 cable

#### *CY3210-PSoCEval1*

The **CY3210-PSoCEval1 kit** features an evaluation board and the MiniProg1 programming unit. The evaluation board includes an LCD module, potentiometer, LEDs, and plenty of breadboarding space to meet all of your evaluation needs. The kit includes:

- Evaluation board with LCD module
- MiniProg programming unit
- Two 28-pin CY8C29466-24PXI PDIP PSoC device samples
- PSoC Designer software CD
- Getting Started guide
- USB 2.0 cable

#### *CY3214-PSoCEvalUSB*

The **CY3214-PSoCEvalUSB evaluation kit** features a development board for the CY8C24794-24LFXI PSoC device. The board includes both USB and capacitive sensing development and debugging support. This evaluation board also includes an LCD module, potentiometer, LEDs, an enunciator and plenty of breadboarding space to meet all of your evaluation needs. The kit includes:

- PSoCEvalUSB board
- LCD module
- MiniProg programming unit
- Mini USB cable
- PSoC Designer and example projects CD
- Getting Started guide
- Wire pack

## Device Programmers

All device programmers can be purchased from the Cypress Online Store.

### CY3216 Modular Programmer

The [CY3216 Modular Programmer kit](#) features a modular programmer and the MiniProg1 programming unit. The modular programmer includes three programming module cards and supports multiple Cypress products. The kit includes:

- Modular programmer base
- Three programming module cards
- MiniProg programming unit
- PSoC Designer software CD
- Getting Started guide
- USB 2.0 cable

### CY3207ISSP In-System Serial Programmer (ISSP)

The [CY3207ISSP](#) is a production programmer. It includes protection circuitry and an industrial case that is more robust than the MiniProg in a production-programming environment.

**Note** CY3207ISSP needs special software and is not compatible with PSoC Programmer. The kit includes:

- CY3207 programmer unit
- PSoC ISSP software CD
- 110 ~ 240 V power supply, Euro-Plug adapter
- USB 2.0 cable

## Accessories (Emulation and Programming)

Table 31. Emulation and Programming Accessories

| Part Number      | Pin Package | Flex-Pod Kit <sup>[45]</sup> | Foot Kit <sup>[46]</sup> | Adapter  |
|------------------|-------------|------------------------------|--------------------------|--|
| CY8C21234-24SXI  | 16-pin SOIC | CY3250-21X34                 | CY3250-16SOIC-FK         | Adapters can be found at <a href="http://www.emulation.com">http://www.emulation.com</a> . |
| CY8C21334-24PVXI | 20-pin SSOP | CY3250-21X34                 | CY3250-20SSOP-FK         |  |
| CY8C21534-24PVXI | 28-pin SSOP | CY3250-21X34                 | CY3250-28SSOP-FK         |  |

### Notes

45. Flex-Pod kit includes a practice flex-pod and a practice PCB, in addition to two flex-pods.

46. Foot kit includes surface mount feet that can be soldered to the target PCB.

## Ordering Information

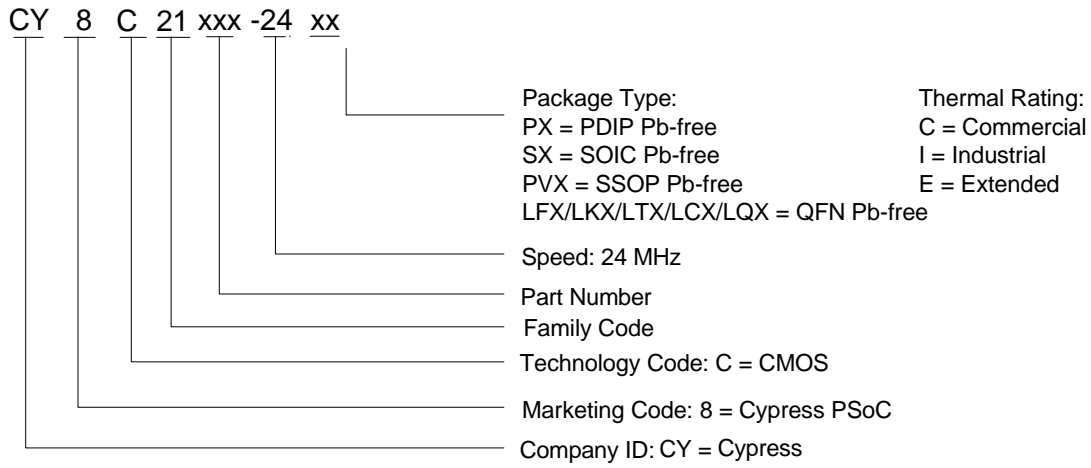
| Package   | Ordering Code     | Flash (Bytes)  | SRAM (Bytes) | Switch Mode Pump | Temperature Range | Digital Blocks | Analog Blocks | Digital I/O Pins | Analog Inputs      | Analog Outputs | XRES Pin |
|---|-------------------|--|--------------|------------------|-------------------|----------------|---------------|------------------|--------------------|----------------|----------|
| 16-Pin (150-Mil) SOIC   | CY8C21234-24SXI   | 8 K  | 512          | Yes              | -40 °C to +85 °C  | 4              | 4             | 12               | 12 <sup>[47]</sup> | 0              | No       |
| 16-Pin (150-Mil) SOIC (Tape and Reel)                               | CY8C21234-24SXIT  | 8 K  | 512          | Yes              | -40 °C to +85 °C  | 4              | 4             | 12               | 12 <sup>[47]</sup> | 0              | No       |
| 20-Pin (210-Mil) SSOP   | CY8C21334-24PVXI  | 8 K  | 512          | No               | -40 °C to +85 °C  | 4              | 4             | 16               | 16 <sup>[47]</sup> | 0              | Yes      |
| 20-Pin (210-Mil) SSOP (Tape and Reel)                               | CY8C21334-24PVXIT | 8 K  | 512          | No               | -40 °C to +85 °C  | 4              | 4             | 16               | 16 <sup>[47]</sup> | 0              | Yes      |
| 28-Pin (210-Mil) SSOP   | CY8C21534-24PVXI  | 8 K  | 512          | No               | -40 °C to +85 °C  | 4              | 4             | 24               | 24 <sup>[47]</sup> | 0              | Yes      |
| 28-Pin (210-Mil) SSOP (Tape and Reel)                               | CY8C21534-24PVXIT | 8 K  | 512          | No               | -40 °C to +85 °C  | 4              | 4             | 24               | 24 <sup>[47]</sup> | 0              | Yes      |
| 32-Pin (5 x 5 mm 1.00 max) Sawn QFN                                 | CY8C21434-24LTXI  | 8 K  | 512          | No               | -40 °C to +85 °C  | 4              | 4             | 28               | 28 <sup>[47]</sup> | 0              | Yes      |
| 32-Pin (5 x 5 mm 1.00 max) Sawn QFN <sup>[48]</sup> (Tape and Reel) | CY8C21434-24LTXIT | 8 K  | 512          | No               | -40 °C to +85 °C  | 4              | 4             | 28               | 28 <sup>[47]</sup> | 0              | Yes      |
| 32-Pin (5 x 5 mm 0.60 max) Thin Sawn QFN                            | CY8C21434-24LQXI  | 8 K  | 512          | No               | -40 °C to +85 °C  | 4              | 4             | 28               | 28 <sup>[47]</sup> | 0              | Yes      |
| 32-Pin (5 x 5 mm 0.60 max) Thin Sawn QFN (Tape and Reel)            | CY8C21434-24LQXIT | 8 K  | 512          | No               | -40 °C to +85 °C  | 4              | 4             | 28               | 28 <sup>[47]</sup> | 0              | Yes      |
| 32-Pin (5 x 5 mm 1.00 max) Sawn QFN <sup>[48]</sup>                 | CY8C21634-24LTXI  | 8 K  | 512          | Yes              | -40 °C to +85 °C  | 4              | 4             | 26               | 26 <sup>[47]</sup> | 0              | Yes      |
| 32-Pin (5 x 5 mm 1.00 max) Sawn QFN <sup>[48]</sup> (Tape and Reel) | CY8C21634-24LTXIT | 8 K  | 512          | Yes              | -40 °C to +85 °C  | 4              | 4             | 26               | 26 <sup>[47]</sup> | 0              | Yes      |
| 56-Pin OCD SSOP   | CY8C21001-24PVXI  | 8 K  | 512          | Yes              | -40 °C to +85 °C  | 4              | 4             | 26               | 26 <sup>[47]</sup> | 0              | Yes      |
|   | CY8C21434-12X14I  | Please contact <a href="#">sales office</a> or Field Applications Engineer (FAE) for more information. |              |                  |                   |                |               |                  |                    |                |          |

**Note** For Die sales information, contact a local Cypress sales office or Field Applications Engineer (FAE).

**Notes**

- 47. All Digital I/O Pins also connect to the common analog mux.
- 48. Refer to the section [32-pin Part Pinout on page 12](#) for pin differences.

**Ordering Code Definitions**



## Acronyms

Table 32 lists the acronyms that are used in this document.

**Table 32. Acronyms Used in this Datasheet**

| Acronym | Description   | Acronym           | Description                                   |
|---------|---|-------------------|---|
| AC      | alternating current                                 | MIPS              | million instructions per second               |
| ADC     | analog-to-digital converter                         | OCD               | on-chip debug                                 |
| API     | application programming interface                   | PCB               | printed circuit board                         |
| CMOS    | complementary metal oxide semiconductor             | PDIP              | plastic dual-in-line package                  |
| CPU     | central processing unit                             | PGA               | programmable gain amplifier                   |
| CRC     | cyclic redundancy check                             | PLL               | phase-locked loop                             |
| CT      | continuous time                                     | POR               | power on reset                                |
| DAC     | digital-to-analog converter                         | PPOR              | precision power on reset                      |
| DC      | direct current                                      | PRS               | pseudo-random sequence                        |
| DTMF    | dual-tone multi-frequency                           | PSoC <sup>®</sup> | Programmable System-on-Chip                   |
| ECO     | external crystal oscillator                         | PWM               | pulse width modulator                         |
| EEPROM  | electrically erasable programmable read-only memory | QFN               | quad flat no leads                            |
| GPIO    | general purpose I/O                                 | RTC               | real time clock                               |
| ICE     | in-circuit emulator                                 | SAR               | successive approximation                      |
| IDE     | integrated development environment                  | SC                | switched capacitor                            |
| ILO     | internal low speed oscillator                       | SLIMO             | slow IMO                                      |
| IMO     | internal main oscillator                            | SMP               | switch-mode pump                              |
| I/O     | input/output  | SOIC              | small-outline integrated circuit              |
| IrDA    | infrared data association                           | SPI <sup>™</sup>  | serial peripheral interface                   |
| ISSP    | in-system serial programming                        | SRAM              | static random access memory                   |
| LCD     | liquid crystal display                              | SROM              | supervisory read only memory                  |
| LED     | light-emitting diode                                | SSOP              | shrink small-outline package                  |
| LPC     | low power comparator                                | UART              | universal asynchronous receiver / transmitter |
| LVD     | low voltage detect                                  | USB               | universal serial bus                          |
| MAC     | multiply-accumulate                                 | WDT               | watchdog timer                                |
| MCU     | microcontroller unit                                | XRES              | external reset                                |

## Reference Documents

CY8CPLC20, CY8CLED16P01, CY8C29x66, CY8C27x43, CY8C24x94, CY8C24x23, CY8C24x23A, CY8C22x13, CY8C21x34, CY8C21x23, CY7C64215, CY7C603xx, CY8CNP1xx, and CYWUSB6953 PSoC<sup>®</sup> Programmable System-on-Chip Technical Reference Manual (TRM) (001-14463)

Design Aids – Reading and Writing PSoC<sup>®</sup> Flash - AN2015 (001-40459)

Application Notes for Surface Mount Assembly of Amkor's MicroLeadFrame (MLF) Packages – available at <http://www.amkor.com>.

## Document Conventions

### Units of Measure

Table 33 lists the units of measures.

**Table 33. Units of Measure**

| Symbol | Unit of Measure | Symbol | Unit of Measure         |
|--------|-----------------|--------|-------------------------|
| kB     | 1024 bytes      | μH     | micro henry             |
| dB     | decibels        | μs     | microsecond             |
| °C     | degree Celsius  | ms     | millisecond             |
| μF     | microfarad      | ns     | nanosecond              |
| fF     | femto farad     | ps     | picosecond              |
| pF     | picofarad       | μV     | microvolt               |
| kHz    | kilohertz       | mV     | millivolts              |
| MHz    | megahertz       | mVpp   | millivolts peak-to-peak |
| rt-Hz  | root hertz      | nV     | nano volt               |
| kΩ     | kilo ohm        | V      | volt                    |
| Ω      | ohm             | μW     | microwatt               |
| μA     | microampere     | W      | watt                    |
| mA     | milliampere     | mm     | millimeter              |
| nA     | nano ampere     | ppm    | parts per million       |
| pA     | pico ampere     | %      | percent                 |
| mH     | millihenry      |        |                         |

### Numeric Conventions

Hexadecimal numbers are represented with all letters in uppercase with an appended lowercase 'h' (for example, '14h' or '3Ah'). Hexadecimal numbers may also be represented by a '0x' prefix, the C coding convention. Binary numbers have an appended lowercase 'b' (for example, '01010100b' or '01000011b'). Numbers not indicated by an 'h' or 'b' are decimals.

## Glossary

|   |   |
|---|---|
| active high                             | <ol style="list-style-type: none"> <li>1. A logic signal having its asserted state as the logic 1 state.</li> <li>2. A logic signal having the logic 1 state as the higher voltage of the two states.</li> </ol>  |
| analog blocks                           | The basic programmable opamp circuits. These are SC (switched capacitor) and CT (continuous time) blocks. These blocks can be interconnected to provide ADCs, DACs, multi-pole filters, gain stages, and much more.   |
| analog-to-digital (ADC)                 | A device that changes an analog signal to a digital signal of corresponding magnitude. Typically, an ADC converts a voltage to a digital number. The digital-to-analog (DAC) converter performs the reverse operation.  |
| Application programming interface (API) | A series of software routines that comprise an interface between a computer application and lower level services and functions (for example, user modules and libraries). APIs serve as building blocks for programmers that create software applications.  |
| asynchronous                            | A signal whose data is acknowledged or acted upon immediately, irrespective of any clock signal.  |
| bandgap reference                       | A stable voltage reference design that matches the positive temperature coefficient of $V_T$ with the negative temperature coefficient of $V_{BE}$ , to produce a zero temperature coefficient (ideally) reference.   |
| bandwidth                               | <ol style="list-style-type: none"> <li>1. The frequency range of a message or information processing system measured in hertz.</li> <li>2. The width of the spectral region over which an amplifier (or absorber) has substantial gain (or loss); it is sometimes represented more specifically as, for example, full width at half maximum.</li> </ol> |



## Glossary (continued)

|                               |  |
|-------------------------------|--|
| bias                          | <ol style="list-style-type: none"> <li>1. A systematic deviation of a value from a reference value.</li> <li>2. The amount by which the average of a set of values departs from a reference value.</li> <li>3. The electrical, mechanical, magnetic, or other force (field) applied to a device to establish a reference level to operate the device.</li> </ol>   |
| block                         | <ol style="list-style-type: none"> <li>1. A functional unit that performs a single function, such as an oscillator.</li> <li>2. A functional unit that may be configured to perform one of several functions, such as a digital PSoC block or an analog PSoC block.</li> </ol>   |
| buffer                        | <ol style="list-style-type: none"> <li>1. A storage area for data that is used to compensate for a speed difference, when transferring data from one device to another. Usually refers to an area reserved for IO operations, into which data is read, or from which data is written.</li> <li>2. A portion of memory set aside to store data, often before it is sent to an external device or as it is received from an external device.</li> <li>3. An amplifier used to lower the output impedance of a system.</li> </ol> |
| bus                           | <ol style="list-style-type: none"> <li>1. A named connection of nets. Bundling nets together in a bus makes it easier to route nets with similar routing patterns.</li> <li>2. A set of signals performing a common function and carrying similar data. Typically represented using vector notation; for example, address[7:0].</li> <li>3. One or more conductors that serve as a common connection for a group of related devices.</li> </ol>  |
| clock                         | The device that generates a periodic signal with a fixed frequency and duty cycle. A clock is sometimes used to synchronize different logic blocks.  |
| comparator                    | An electronic circuit that produces an output voltage or current whenever two input levels simultaneously satisfy predetermined amplitude requirements.  |
| compiler                      | A program that translates a high level language, such as C, into machine language.   |
| configuration space           | In PSoC devices, the register space accessed when the XIO bit, in the CPU_F register, is set to '1'.   |
| crystal oscillator            | An oscillator in which the frequency is controlled by a piezoelectric crystal. Typically a piezoelectric crystal is less sensitive to ambient temperature than other circuit components.   |
| cyclic redundancy check (CRC) | A calculation used to detect errors in data communications, typically performed using a linear feedback shift register. Similar calculations may be used for a variety of other purposes such as data compression.   |
| data bus                      | A bi-directional set of signals used by a computer to convey information from a memory location to the central processing unit and vice versa. More generally, a set of signals used to convey data between digital functions.   |
| debugger                      | A hardware and software system that allows you to analyze the operation of the system under development. A debugger usually allows the developer to step through the firmware one step at a time, set break points, and analyze memory.  |
| dead band                     | A period of time when neither of two or more signals are in their active state or in transition.   |
| digital blocks                | The 8-bit logic blocks that can act as a counter, timer, serial receiver, serial transmitter, CRC generator, pseudo-random number generator, or SPI.   |
| digital-to-analog (DAC)       | A device that changes a digital signal to an analog signal of corresponding magnitude. The analog-to-digital (ADC) converter performs the reverse operation.   |

## Glossary (continued)

|                                 |   |
|---------------------------------|---|
| duty cycle                      | The relationship of a clock period high time to its low time, expressed as a percent.   |
| emulator                        | Duplicates (provides an emulation of) the functions of one system with a different system, so that the second system appears to behave like the first system.   |
| External Reset (XRES)           | An active high signal that is driven into the PSoC device. It causes all operation of the CPU and blocks to stop and return to a pre-defined state.   |
| Flash                           | An electrically programmable and erasable, non-volatile technology that provides you the programmability and data storage of EPROMs, plus in-system erasability. Non-volatile means that the data is retained when power is OFF.  |
| Flash block                     | The smallest amount of Flash ROM space that may be programmed at one time and the smallest amount of Flash space that may be protected. A Flash block holds 64 bytes.   |
| frequency                       | The number of cycles or events per unit of time, for a periodic function.   |
| gain                            | The ratio of output current, voltage, or power to input current, voltage, or power, respectively. Gain is usually expressed in dB.  |
| I <sup>2</sup> C                | A two-wire serial computer bus by Philips Semiconductors (now NXP Semiconductors). I2C is an Inter-Integrated Circuit. It is used to connect low-speed peripherals in an embedded system. The original system was created in the early 1980s as a battery control interface, but it was later used as a simple internal bus system for building control electronics. I2C uses only two bi-directional pins, clock and data, both running at +5 V and pulled high with resistors. The bus operates at 100 kbits/second in standard mode and 400 kbits/second in fast mode. |
| ICE                             | The in-circuit emulator that allows you to test the project in a hardware environment, while viewing the debugging device activity in a software environment (PSoC Designer).   |
| input/output (I/O)              | A device that introduces data into or extracts data from a system.  |
| interrupt                       | A suspension of a process, such as the execution of a computer program, caused by an event external to that process, and performed in such a way that the process can be resumed.   |
| interrupt service routine (ISR) | A block of code that normal code execution is diverted to when the M8C receives a hardware interrupt. Many interrupt sources may each exist with its own priority and individual ISR code block. Each ISR code block ends with the RETI instruction, returning the device to the point in the program where it left normal program execution.   |
| jitter                          | <ol style="list-style-type: none"> <li>1. A misplacement of the timing of a transition from its ideal position. A typical form of corruption that occurs on serial data streams.</li> <li>2. The abrupt and unwanted variations of one or more signal characteristics, such as the interval between successive pulses, the amplitude of successive cycles, or the frequency or phase of successive cycles.</li> </ol>   |
| low-voltage detect (LVD)        | A circuit that senses V <sub>dd</sub> and provides an interrupt to the system when V <sub>dd</sub> falls below a selected threshold.  |
| M8C                             | An 8-bit Harvard-architecture microprocessor. The microprocessor coordinates all activity inside a PSoC by interfacing to the Flash, SRAM, and register space.  |
| master device                   | A device that controls the timing for data exchanges between two devices. Or when devices are cascaded in width, the master device is the one that controls the timing for data exchanges between the cascaded devices and an external interface. The controlled device is called the <b>slave device</b> .   |

## Glossary (continued)

|                             |   |
|-----------------------------|---|
| microcontroller             | An integrated circuit chip that is designed primarily for control systems and products. In addition to a CPU, a microcontroller typically includes memory, timing circuits, and IO circuitry. The reason for this is to permit the realization of a controller with a minimal quantity of chips, thus achieving maximal possible miniaturization. This in turn, reduces the volume and the cost of the controller. The microcontroller is normally not used for general-purpose computation as is a microprocessor. |
| mixed-signal                | The reference to a circuit containing both analog and digital techniques and components.  |
| modulator                   | A device that imposes a signal on a carrier.  |
| noise                       | <ol style="list-style-type: none"> <li>1. A disturbance that affects a signal and that may distort the information carried by the signal.</li> <li>2. The random variations of one or more characteristics of any entity such as voltage, current, or data.</li> </ol>  |
| oscillator                  | A circuit that may be crystal controlled and is used to generate a clock frequency.   |
| parity                      | A technique for testing transmitting data. Typically, a binary digit is added to the data to make the sum of all the digits of the binary data either always even (even parity) or always odd (odd parity).   |
| Phase-locked loop (PLL)     | An electronic circuit that controls an <b>oscillator</b> so that it maintains a constant phase angle relative to a reference signal.  |
| pinouts                     | The pin number assignment: the relation between the logical inputs and outputs of the PSoC device and their physical counterparts in the printed circuit board (PCB) package. Pinouts involve pin numbers as a link between schematic and PCB design (both being computer generated files) and may also involve pin names.  |
| port                        | A group of pins, usually eight.   |
| Power on reset (POR)        | A circuit that forces the PSoC device to reset when the voltage is below a pre-set level. This is one type of hardware reset.   |
| PSoC®                       | Cypress Semiconductor's PSoC® is a registered trademark and Programmable System-on-Chip™ is a trademark of Cypress.   |
| PSoC Designer™              | The software for Cypress' Programmable System-on-Chip technology.   |
| pulse width modulator (PWM) | An output in the form of duty cycle which varies as a function of the applied measurand   |
| RAM                         | An acronym for random access memory. A data-storage device from which data can be read out and new data can be written in.  |
| register                    | A storage device with a specific capacity, such as a bit or byte.   |
| reset                       | A means of bringing a system back to a know state. See hardware reset and software reset.   |
| ROM                         | An acronym for read only memory. A data-storage device from which data can be read out, but new data cannot be written in.  |
| serial                      | <ol style="list-style-type: none"> <li>1. Pertaining to a process in which all events occur one after the other.</li> <li>2. Pertaining to the sequential or consecutive occurrence of two or more related activities in a single device or channel.</li> </ol>   |
| settling time               | The time it takes for an output signal or value to stabilize after the input has changed from one value to another.   |

## Glossary (continued)

|                |   |
|----------------|---|
| shift register | A memory storage device that sequentially shifts a word either left or right to output a stream of serial data.   |
| slave device   | A device that allows another device to control the timing for data exchanges between two devices. Or when devices are cascaded in width, the slave device is the one that allows another device to control the timing of data exchanges between the cascaded devices and an external interface. The controlling device is called the master device. |
| SRAM           | An acronym for static random access memory. A memory device where you can store and retrieve data at a high rate of speed. The term static is used because, after a value is loaded into an SRAM cell, it remains unchanged until it is explicitly altered or until power is removed from the device.   |
| SROM           | An acronym for supervisory read only memory. The SROM holds code that is used to boot the device, calibrate circuitry, and perform Flash operations. The functions of the SROM may be accessed in normal user code, operating from Flash.   |
| stop bit       | A signal following a character or block that prepares the receiving device to receive the next character or block.  |
| synchronous    | <ol style="list-style-type: none"><li>1. A signal whose data is not acknowledged or acted upon until the next active edge of a clock signal.</li><li>2. A system whose operation is synchronized by a clock signal.</li></ol>   |
| tri-state      | A function whose output can adopt three states: 0, 1, and Z (high-impedance). The function does not drive any value in the Z state and, in many respects, may be considered to be disconnected from the rest of the circuit, allowing another output to drive the same net.   |
| UART           | A UART or universal asynchronous receiver-transmitter translates between parallel bits of data and serial bits.   |
| user modules   | Pre-build, pre-tested hardware/firmware peripheral functions that take care of managing and configuring the lower level Analog and Digital PSoC Blocks. User Modules also provide high level <b>API (Application Programming Interface)</b> for the peripheral function.  |
| user space     | The bank 0 space of the register map. The registers in this bank are more likely to be modified during normal program execution and not just during initialization. Registers in bank 1 are most likely to be modified only during the initialization phase of the program.   |
| $V_{DD}$       | A name for a power net meaning "voltage drain." The most positive power supply signal. Usually 5 V or 3.3 V.  |
| $V_{SS}$       | A name for a power net meaning "voltage source." The most negative power supply signal.   |
| watchdog timer | A timer that must be serviced periodically. If it is not serviced, the CPU resets after a specified period of time.   |

## Errata

This section describes the errata for the PSoC<sup>®</sup> Programmable System-on-Chip CY8C21X34. Details include errata trigger conditions, scope of impact, available workarounds, and silicon revision applicability.

Contact your local Cypress Sales Representative if you have questions.

### Part Numbers Affected

| Part Number | Ordering Information |
|-------------|----------------------|
| CY8C21X34   | CY8C21234-24SXI      |
|             | CY8C21234-24SXIT     |
|             | CY8C21334-24PVXI     |
|             | CY8C21334-24PVXIT    |
|             | CY8C21534-24PVXI     |
|             | CY8C21534-24PVXIT    |
|             | CY8C21434-24LFXI     |
|             | CY8C21434-24LFXIT    |
|             | CY8C21434-24LKXI     |
|             | CY8C21434-24LKXIT    |
|             | CY8C21634-24LFXI     |
|             | CY8C21634-24LFXIT    |
|             | CY8C21434-24LTXI     |
|             | CY8C21434-24LTXIT    |
|             | CY8C21434-24LQXI     |
|             | CY8C21434-24LQXIT    |
|             | CY8C21634-24LTXI     |
|             | CY8C21634-24LTXIT    |
|             | CY8C21001-24PVXI     |

### CY8C21X34 Qualification Status

Product Status: Production

## CY8C21X34 Errata Summary

The following table defines the errata applicability to available CY8C21X34 family devices. An "X" indicates that the errata pertains to the selected device.

**Note** Errata items, in the table below, are hyperlinked. Click on any item entry to jump to its description.

| Items   | Part Number | Silicon Revision | Fix Status                   |
|---|-------------|------------------|------------------------------|
| <a href="#">[1]. Internal Main Oscillator (IMO) Tolerance Deviation at Temperature Extremes</a> | CY8C21X34   | A                | No fix is currently planned. |
| <a href="#">[2]. I2C Errors</a>   | CY8C21X34   | A                | No fix is currently planned. |

### 1. Internal Main Oscillator (IMO) Tolerance Deviation at Temperature Extremes

#### ■ Problem Definition

Asynchronous Digital Communications Interfaces may fail framing beyond 0 °C to 70 °C. This problem does not affect end-product usage between 0 °C and 70 °C.

#### ■ Parameters Affected

The IMO frequency tolerance. The worst case deviation when operated below 0 °C and above +70 °C and within the upper and lower datasheet temperature range is ±5%.

#### ■ Trigger Condition(S)

The asynchronous Rx/Tx clock source IMO frequency tolerance may deviate beyond the datasheet limit of ±2.5% when operated beyond the temperature range of 0 °C to +70 °C.

#### ■ Scope of Impact

This problem may affect UART, IrDA, and FSK implementations.

#### ■ Workaround

Implement a quartz crystal stabilized clock source on at least one end of the asynchronous digital communications interface.

#### ■ Fix Status

No fix is currently planned.

### 2. I<sup>2</sup>C Errors

#### ■ Problem Definition

The I<sup>2</sup>C block exhibits occasional data and bus corruption errors when the I<sup>2</sup>C master initiates transactions while the device is transitioning in to or out of sleep mode.

#### ■ Parameters Affected

Affects reliability of I<sup>2</sup>C communication to device, between I<sup>2</sup>C master, and third party I<sup>2</sup>C slaves.

#### ■ Trigger Condition(S)

Triggered by transitions into and out of the device's sleep mode.

#### ■ Scope of Impact

This problem may affect UART, IrDA, and FSK implementations.

#### ■ Workaround

Firmware workarounds are available in firmware. Generally the workaround consists of disconnecting the I<sup>2</sup>C block from the bus prior to going to sleep modes. I<sup>2</sup>C transactions during sleep are supported by a protocol in which the master wakes the device prior to the I<sup>2</sup>C transaction

#### ■ Fix Status

Will not be fixed.

## Document History Page

| Document Title: CY8C21634/CY8C21534/CY8C21434/CY8C21334/CY8C21234, PSoC <sup>®</sup> Programmable System-on-Chip™<br>Document Number: 38-12025 |         |                 |                 |  |
|--|---------|-----------------|-----------------|--|
| Rev.   | ECN     | Orig. of Change | Submission Date | Description of Change  |
| **   | 227340  | HMT             | See ECN         | New silicon and document (Revision **).  |
| *A   | 235992  | SFV             | See ECN         | Updated Overview and Electrical Spec. chapters, along with revisions to the 24-Pin pinout part. Revised the register mapping tables. Added a SSOP 28-Pin part.   |
| *B   | 248572  | SFV             | See ECN         | Changed title to include all part #s. Changed 28-Pin SSOP from CY8C21434 to CY8C21534. Changed pin 9 on the 28-Pin SSOP from SMP pin to Vss pin. Added SMP block to architecture diagram. Update Electrical Specifications. Added another 32-Pin MLF part: CY8C21634.                          |
| *C   | 277832  | HMT             | See ECN         | Verify datasheet standards from SFV memo. Add Analog Input Mux to applicable pin outs. Update PSoC Characteristics table. Update diagrams and specs. Final.  |
| *D   | 285293  | HMT             | See ECN         | Update 2.7 V DC GPIO spec. Add Reflow Peak Temp. table.  |
| *E   | 301739  | HMT             | See ECN         | DC Chip-Level Specification changes. Update links to new CY.com Portal.  |
| *F   | 329104  | HMT             | See ECN         | Re-add pinout ISSP notation. Fix TMP register names. Clarify ADC feature. Update Electrical Specifications. Update Reflow Peak Temp. table. Add 32 MLF E-PAD dimensions. Add ThetaJC to Thermal Impedance table. Fix 20-Pin package order number. Add CY logo. Update CY copyright.            |
| *G   | 352736  | HMT             | See ECN         | Add new color and logo. Add URL to preferred dimensions for mounting MLF packages. Update Transmitter and Receiver AC Digital Block Electrical Specifications.   |
| *H   | 390152  | HMT             | See ECN         | Clarify MLF thermal pad connection info. Replace 16-Pin 300-MIL SOIC with correct 150-MIL.   |
| *I   | 413404  | HMT             | See ECN         | Update 32-Pin QFN E-Pad dimensions and rev. *A. Update CY branding and QFN convention.   |
| *J   | 430185  | HMT             | See ECN         | Add new 32-Pin 5x5 mm 0.60 thickness QFN package and diagram, CY8C21434-24LKXI. Update thermal resistance data. Add 56-Pin SSOP on-chip debug non-production part, CY8C21001-24PVXI. Update typical and recommended Storage Temperature per industrial specs. Update copyright and trademarks. |
| *K   | 677717  | HMT             | See ECN         | Add CapSense SNR requirement reference. Add new Dev. Tool section. Add CY8C20x34 to PSoC Device Characteristics table. Add Low Power Comparator (LPC) AC/DC electrical spec. tables. Update rev. of 32-Lead (5x5 mm 0.60 MAX) QFN package diagram.   |
| *L   | 2147847 | UVS / PYRS      | 02/27/08        | Added 32-Pin QFN Sawn pin diagram, package diagram, and ordering information.  |
| *M   | 2273246 | UVS / AESA      | 04/01/08        | Added 32 pin thin sawn package diagram.  |
| *N   | 2618124 | OGNE / PYRS     | 12/09/08        | Added Note in Ordering Information section. Changed title from PSoC Mixed-Signal Array to PSoC Programmable System-on-Chip   |
| *O   | 2684145 | SNV / AESA      | 04/06/2009      | Updated 32-Pin Sawn QFN package dimension for CY8C21434-24LTXIT<br>Updated Getting Started, Development Tools, and Designing with PSoC Designer Sections   |
| *P   | 2693024 | DPT / PYRS      | 04/16/2009      | Updated 32-Pin Sawn QFN package diagram  |
| *Q   | 2720594 | BRW             | 06/22/09        | Corrected ohm symbol and parenthesis in figure caption (Fig.25)<br>Removed references to mixed-signal array from the text.<br>Updated Development Tools Selection section.   |



**Document History Page** (continued)

| Document Title: CY8C21634/CY8C21534/CY8C21434/CY8C21334/CY8C21234, PSoC® Programmable System-on-Chip™<br>Document Number: 38-12025 |         |                 |                 |   |
|--|---------|-----------------|-----------------|---|
| Rev.   | ECN     | Orig. of Change | Submission Date | Description of Change   |
| *R   | 2762499 | JVY             | 09/11/2009      | Updated DC GPIO, AC Chip-Level, and AC Programming Specifications as follows:<br>Modified F <sub>IMO6</sub> and T <sub>WRITE</sub> specifications.<br>Replaced T <sub>RAMP</sub> (time) specification with SR <sub>POWER_UP</sub> (slew rate) specification.<br>Added note [11] to Flash Endurance specification.<br>Added I <sub>OH</sub> , I <sub>OL</sub> , DC <sub>ILO</sub> , F <sub>32K_U</sub> , T <sub>POWERUP</sub> , T <sub>ERASEALL</sub> , T <sub>PROGRAM_HOT</sub> , and T <sub>PROGRAM_COLD</sub> specifications.   |
| *S   | 2900687 | MAXK / NJF      | 03/30/2010      | Updated <a href="#">The Analog Multiplexer System</a> .<br>Updated Cypress website links.<br>Added T <sub>BAKETEMP</sub> and T <sub>BAKETIME</sub> parameters in <a href="#">Absolute Maximum Ratings</a> .<br>Removed DC Low Power Comparator section.<br>Updated <a href="#">5-V and 3.3-V AC Chip-Level Specifications</a> .<br>Removed AC Low Power Comparator and AC Analog Mux Bus sections.<br>Updated note in <a href="#">Packaging Information</a> and package diagrams.<br>Added 56 SSOP values for <a href="#">Thermal Impedances, Solder Reflow Specifications</a> .<br>Removed Third Party Tools and Build a PSoC Emulator into your Board.<br>Updated <a href="#">Ordering Code Definitions</a> .<br>Removed inactive parts from <a href="#">Ordering Information</a><br>Removed obsolete package spec 001-06392.<br>Updated links in <a href="#">Sales, Solutions, and Legal Information</a> . |
| *T   | 2937578 | VMAD            | 05/26/2010      | Updated content to match current style guide and data sheet template.<br>No technical updates.  |
| *U   | 3005573 | NJF             | 09/02/10        | Added PSoC Device Characteristics table.<br>Added DC I <sup>2</sup> C Specifications table.<br>Added F <sub>32K_U</sub> max limit.<br>Added T <sub>jitter_IMO</sub> specification, removed existing jitter specifications.<br>Updated Units of Measure, Acronyms, Glossary, and References sections.<br>Updated solder reflow specifications.<br>No specific changes were made to AC Digital Block Specifications table and I <sup>2</sup> C Timing Diagram. They were updated for clearer understanding.<br>Template and styles update.  |
| *V   | 3068269 | ARVM            | 10/21/2010      | Removed pruned parts CY8C21434-24LKXI and CY8C21434-24LKXIT from <a href="#">Ordering Information</a> .   |
| *W   | 3281271 | VMAD            | 08/23/2011      | Under <a href="#">Table 20 on page 28</a> "Notes" section, the text "2.4 V < V <sub>CC</sub> < 3.0 V" is changed to "2.4 V < V <sub>DD</sub> < 3.0 V".<br>Updated <a href="#">Solder Reflow Specifications</a> .<br>Changed package diagram from 51-85188 *D to 001-30999 *C for QFN32 package.   |
| *X   | 3383568 | GIR             | 10/05/2011      | The text "Pin must be left floating" is included under Description of NC pin in <a href="#">CY8C21001 56-pin SSOP Pin Definitions on page 14</a> .<br>Changed spec 001-30999 from 32-Pin (5 × 5 mm 0.93 Max) Sawn QFN to 32-Pin (5 × 5 mm 1.0 Max) Sawn QFN<br>Removed pruned parts CY8C21434-24LCXI and CY8C21434-24LCXIT from the <a href="#">Ordering Information</a> table.   |
| *Y   | 3659297 | YLIU            | 07/26/2012      | Updated <a href="#">Packaging Information</a> (Removed spec 001-44368).   |

**Document History Page** (continued)

| Document Title: CY8C21634/CY8C21534/CY8C21434/CY8C21334/CY8C21234, PSoC <sup>®</sup> Programmable System-on-Chip <sup>™</sup><br>Document Number: 38-12025 |         |                 |                 |  |
|--|---------|-----------------|-----------------|--|
| Rev.   | ECN     | Orig. of Change | Submission Date | Description of Change  |
| *Z   | 3902039 | VNJ             | 02/12/2013      | <p>Updated <a href="#">Electrical Specifications</a> (Updated <a href="#">AC Electrical Characteristics</a> (Updated <a href="#">AC Chip-Level Specifications</a> (Updated <a href="#">Table 16</a> (Changed minimum value of F<sub>IMO6</sub> parameter from 5.5 MHz to 5.52 MHz, changed maximum value of F<sub>IMO6</sub> parameter from 6.5 MHz to 6.48 MHz), updated <a href="#">Table 17</a> (Changed minimum value of F<sub>IMO12</sub> parameter from 11.5 MHz to 11.04 MHz, changed maximum value of F<sub>IMO12</sub> parameter from 12.7 MHz to 12.96 MHz, changed minimum value of F<sub>IMO6</sub> parameter from 5.5 MHz to 5.52 MHz, changed maximum value of F<sub>IMO6</sub> parameter from 6.5 MHz to 6.48 MHz))))).</p> <p>Updated <a href="#">Packaging Information</a>:<br/> spec 51-85068 – Changed revision from *D to *E.<br/> spec 001-30999 – Changed revision from *C to *D.<br/> spec 001-48913 – Changed revision from *B to *C.<br/> spec 51-85062 – Changed revision from *E to *F.</p>   |
| AA   | 3993249 | SLAN            | 05/07/2013      | Added <a href="#">Errata</a> .   |
| AB   | 4076892 | SLAN            | 07/25/2013      | <p>Added Errata footnotes (Notes 1, 2, 3, 4, 5, 8, 28, 33, 40).</p> <p>Updated <a href="#">Features</a>:<br/> Added Note 1 and referred in “Internal ±2.5% 24- / 48-MHz main oscillator”.<br/> Added Note 2 and referred in “I<sup>2</sup>C” under “Additional system resources”.</p> <p>Updated <a href="#">PSoC Functional Overview</a>:<br/> Updated <a href="#">The PSoC Core</a>:<br/> Added Note 3 and referred in “24 MHz”.<br/> Added Note 4 and referred in “I<sup>2</sup>C” under “System resources provide these additional capabilities”.</p> <p>Updated <a href="#">The Digital System</a>:<br/> Added Note 4 and referred in “I<sup>2</sup>C slave and multi-master”.</p> <p>Updated <a href="#">Additional System Resources</a>:<br/> Added Note 5 and referred in “I<sup>2</sup>C”.</p> <p>Updated <a href="#">Development Tools</a>:<br/> Added Note 8 and referred in “I<sup>2</sup>C” under “Built-in support for communication interfaces”.</p> <p>Updated <a href="#">Electrical Specifications</a>:<br/> Updated <a href="#">AC Electrical Characteristics</a>:<br/> Updated <a href="#">AC Chip-Level Specifications</a>:<br/> Added Note 28 and referred in “F<sub>IMO24</sub>” and “F<sub>IMO6</sub>” parameters in <a href="#">Table 16</a>.<br/> Added Note 33 and referred in “F<sub>IMO12</sub>” and “F<sub>IMO6</sub>” parameters in <a href="#">Table 17</a>.<br/> Updated <a href="#">AC I2C [40] Specifications</a>:<br/> Added Note 40 and referred in the heading.</p> <p>Updated to new template.</p> <p>Completing Sunset Review.</p> |
| AC   | 4143112 | DCHE            | 10/01/2013      | <p>Updated <a href="#">Packaging Information</a>:<br/> spec 001-48913 – Changed revision from *C to *D.</p> <p>Updated <a href="#">Ordering Information</a> (Updated part numbers).</p> <p>Updated <a href="#">Reference Documents</a>:<br/> Removed references of spec 001-14503 and spec 001-17397 as these specs are obsolete.</p>  |

Document History Page (continued)

| Document Title: CY8C21634/CY8C21534/CY8C21434/CY8C21334/CY8C21234, PSoC <sup>®</sup> Programmable System-on-Chip™<br>Document Number: 38-12025 |         |                 |                 |   |
|--|---------|-----------------|-----------------|---|
| Rev.   | ECN     | Orig. of Change | Submission Date | Description of Change   |
| AD   | 4338103 | PRKU            | 04/15/2014      | <p>Updated <a href="#">Pin Information</a>:<br/> Updated <a href="#">CY8C21234 16-pin SOIC Pin Definitions</a> (corresponding to CY8C21234):<br/> Added Note 9 and referred the same note in the description of pin 6 and pin 8.<br/> Updated <a href="#">CY8C21334 20-pin SSOP Pin Definitions</a> (corresponding to CY8C21334):<br/> Added Note 11 and referred the same note in the description of pin 5 and pin 10.<br/> Updated <a href="#">CY8C21534 28-pin SSOP Pin Definitions</a> (corresponding to CY8C21534):<br/> Added Note 13 and referred the same note in the description of pin 9 and pin 14.<br/> Updated <a href="#">CY8C21434/CY8C21634 32-pin QFN Pin Definitions</a> (corresponding to CY8C21434/CY8C21634):<br/> Added Note 16 and referred the same note in the description of pin 7, pin 12 and pin 32.<br/> Updated <a href="#">CY8C21001 56-pin SSOP Pin Definitions</a> (corresponding to CY8C21001):<br/> Added Note 18 and referred the same note in the description of pin 17, pin 18 and pin 28.</p> <p>Updated <a href="#">Packaging Information</a>:<br/> Updated "Important Note" below <a href="#">Figure 18</a>.<br/> Updated <a href="#">Thermal Impedances</a>:<br/> Updated Note 43 referred in <a href="#">Table 29</a>.</p> |
| AE   | 4531967 | DCHE            | 10/10/2014      | <p>Added <a href="#">More Information</a>.<br/> Added <a href="#">PSoC Designer</a>.</p>  |
| AF   | 4593771 | DIMA            | 12/11/2014      | <p>Updated <a href="#">Pin Information</a>:<br/> Updated <a href="#">CY8C21001 56-pin SSOP Pin Definitions</a>:<br/> Referred Note 18 in description of pin 1.</p> <p>Updated <a href="#">Packaging Information</a>:<br/> spec 51-85077 – Changed revision from *E to *F.<br/> spec 51-85079 – Changed revision from *E to *F.</p>  |
| AG   | 4670626 | DCHE            | 02/25/2015      | Changed the part number from CY8C21234 to CY8C21X34 in <a href="#">Errata</a> .   |



## Sales, Solutions, and Legal Information

### Worldwide Sales and Design Support

Cypress maintains a worldwide network of offices, solution centers, manufacturer's representatives, and distributors. To find the office closest to you, visit us at [Cypress Locations](#).

#### Products

|                          |  |
|--------------------------|--|
| Automotive               | <a href="http://cypress.com/go/automotive">cypress.com/go/automotive</a> |
| Clocks & Buffers         | <a href="http://cypress.com/go/clocks">cypress.com/go/clocks</a>         |
| Interface                | <a href="http://cypress.com/go/interface">cypress.com/go/interface</a>   |
| Lighting & Power Control | <a href="http://cypress.com/go/powerpsoc">cypress.com/go/powerpsoc</a>   |
| Memory                   | <a href="http://cypress.com/go/memory">cypress.com/go/memory</a>         |
| PSoC                     | <a href="http://cypress.com/go/psoc">cypress.com/go/psoc</a>             |
| Touch Sensing            | <a href="http://cypress.com/go/touch">cypress.com/go/touch</a>           |
| USB Controllers          | <a href="http://cypress.com/go/USB">cypress.com/go/USB</a>               |
| Wireless/RF              | <a href="http://cypress.com/go/wireless">cypress.com/go/wireless</a>     |

#### PSoC<sup>®</sup> Solutions

[psoc.cypress.com/solutions](http://psoc.cypress.com/solutions)  
PSoC 1 | PSoC 3 | PSoC 4 | PSoC 5LP

#### Cypress Developer Community

[Community](#) | [Forums](#) | [Blogs](#) | [Video](#) | [Training](#)

#### Technical Support

[cypress.com/go/support](http://cypress.com/go/support)

---

© Cypress Semiconductor Corporation, 2004-2015. The information contained herein is subject to change without notice. Cypress Semiconductor Corporation assumes no responsibility for the use of any circuitry other than circuitry embodied in a Cypress product. Nor does it convey or imply any license under patent or other rights. Cypress products are not warranted nor intended to be used for medical, life support, life saving, critical control or safety applications, unless pursuant to an express written agreement with Cypress. Furthermore, Cypress does not authorize its products for use as critical components in life-support systems where a malfunction or failure may reasonably be expected to result in significant injury to the user. The inclusion of Cypress products in life-support systems application implies that the manufacturer assumes all risk of such use and in doing so indemnifies Cypress against all charges.

Any Source Code (software and/or firmware) is owned by Cypress Semiconductor Corporation (Cypress) and is protected by and subject to worldwide patent protection (United States and foreign), United States copyright laws and international treaty provisions. Cypress hereby grants to licensee a personal, non-exclusive, non-transferable license to copy, use, modify, create derivative works of, and compile the Cypress Source Code and derivative works for the sole purpose of creating custom software and/or firmware in support of licensee product to be used only in conjunction with a Cypress integrated circuit as specified in the applicable agreement. Any reproduction, modification, translation, compilation, or representation of this Source Code except as specified above is prohibited without the express written permission of Cypress.

Disclaimer: CYPRESS MAKES NO WARRANTY OF ANY KIND, EXPRESS OR IMPLIED, WITH REGARD TO THIS MATERIAL, INCLUDING, BUT NOT LIMITED TO, THE IMPLIED WARRANTIES OF MERCHANTABILITY AND FITNESS FOR A PARTICULAR PURPOSE. Cypress reserves the right to make changes without further notice to the materials described herein. Cypress does not assume any liability arising out of the application or use of any product or circuit described herein. Cypress does not authorize its products for use as critical components in life-support systems where a malfunction or failure may reasonably be expected to result in significant injury to the user. The inclusion of Cypress' product in a life-support systems application implies that the manufacturer assumes all risk of such use and in doing so indemnifies Cypress against all charges.

Use may be limited by and subject to the applicable Cypress software license agreement.