
PRELIMINARY SPECIFICATIONS SHEETLOUD SPEAKER
P/N: LSE50-P13003**DESCRIPTION: D50mm, H16mm Loud Speaker, 450Hz, 8Ohm, 0.5W**
RoHS Compliance (Directive 2002/95/EC)**VERSION: 01****DATE: 9-Jan-2013****REVISIONS**

VERSION	DESCRIPTION	DATE
01	Released from engineering	9-Jan-2013

APPROVED BY :

CUSTOMER NAME :**DATE :**

PRELIMINARY SPECIFICATIONS SHEET

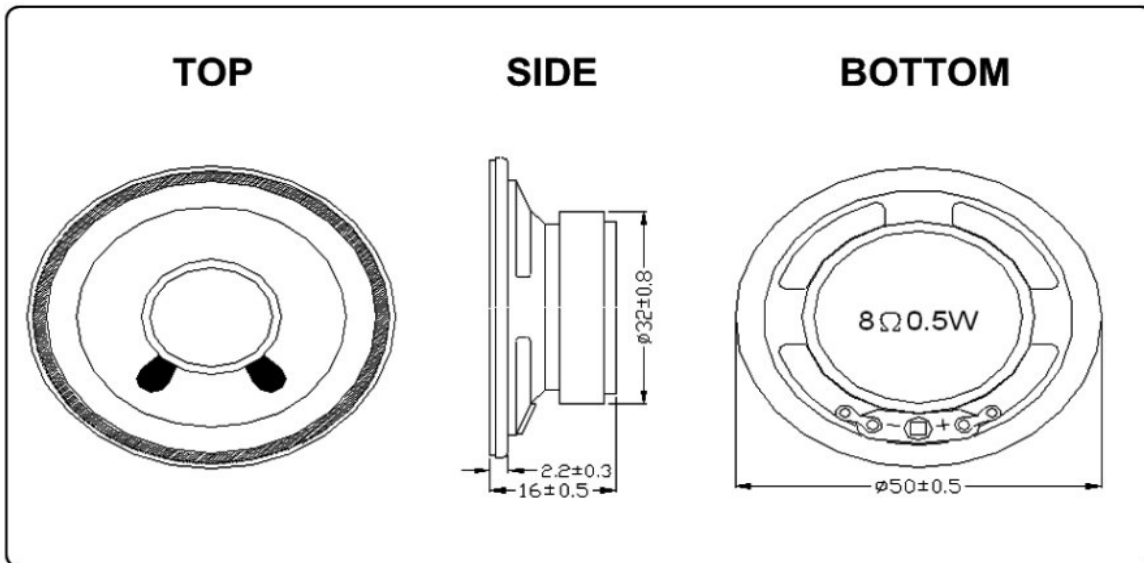
LOUD SPEAKER
 P/N: LSE50-P13003

1. SPECIFICATIONS

PARAMETERS	VALUES	UNITS
*SOUND PRESSURE LEVEL	82 ± 3	dBA
RESONANCE FREQUENCY (Fo)	450 ± 20%	Hz
FREQUENCY RANGE	Fo – 5,000	Hz
RATED IMPEDANCE	8 ± 15%	Ohm
RATED POWER	0.5	W
MAX POWER	1.0	W
MAGNET	Ferrite	-
OPERATING TEMPERATURE	-20 to +60	°C
STORAGE TEMPERATURE	-30 to +60	°C
HOUSING	METAL	-
DIAPHRAGM MATERIAL	PAPER	-
WEIGHT	44.5	g

*Tested at 1m 1W, 600 , 800, 1kHz , 1.2kHz Average

2. DIMENSIONS (unit in mm)



Tolerance: ±0.5mm except specified

VERSION: 01

DATE: 9-Jan-2013

All specifications subject to change without notice