
PRELIMINARY SPECIFICATIONS SHEETMYLAR SPEAKER
P/N: MSI40-P12179**DESCRIPTION: D40mm, H5mm Mylar Speaker, 1W, 600Hz,50Ohm**
RoHS Compliance (Directive 2002/95/EC)**VERSION: 01****DATE: 17-Dec-2012****REVISIONS**

VERSION	DESCRIPTION	DATE
01	Released from engineering	17-Dec-2012

APPROVED BY :

CUSTOMER NAME :**DATE :**

PRELIMINARY SPECIFICATIONS SHEET

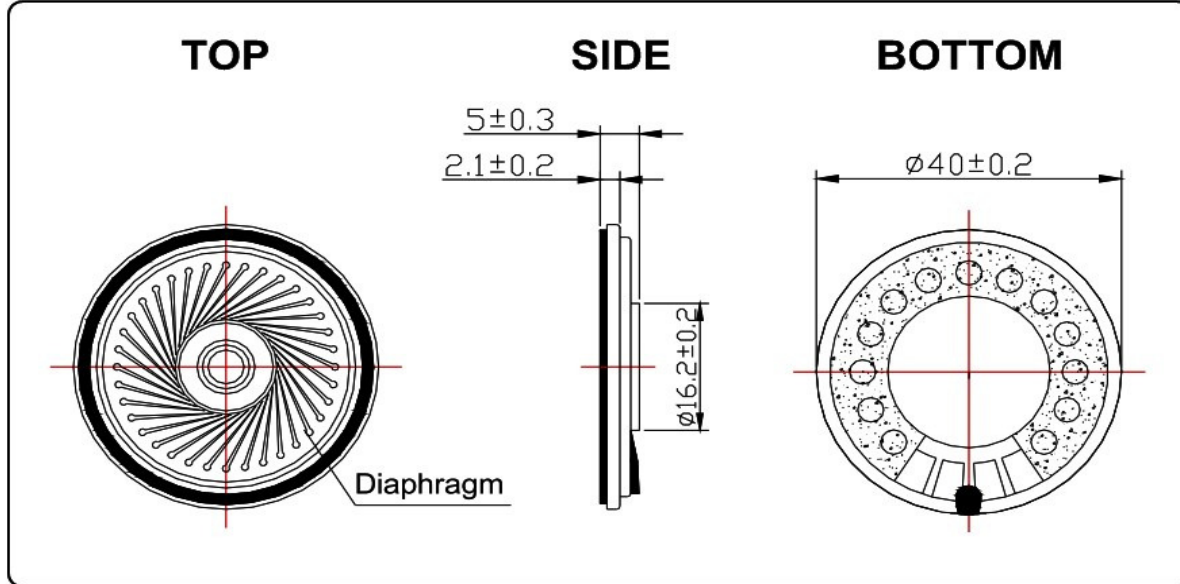
MYLAR SPEAKER
P/N: MSI40-P12179

1. SPECIFICATIONS

PARAMETERS	VALUES	UNITS
*SOUND PRESSURE LEVEL	92 ± 3	dBA
RESONANCE FREQUENCY	600 ± 20%	Hz
FREQUENCY RANGE	Fo – 6,000	Hz
RATED IMPEDANCE	50 ± 15%	Ohm
RATED POWER	1.0	W
MAX POWER	2.0	W
OPERATING TEMPERATURE	-30 to +70	°C
STORAGE TEMPERATURE	-40 to +85	°C
MAGNET	NdFeB Φ12.5*1.5mm	-
HOUSING	METAL	-

*Tested at 0.1W 0.1m average 0.8K 1.0K 1.2K 1.5KHz

2. DIMENSIONS (unit in mm)



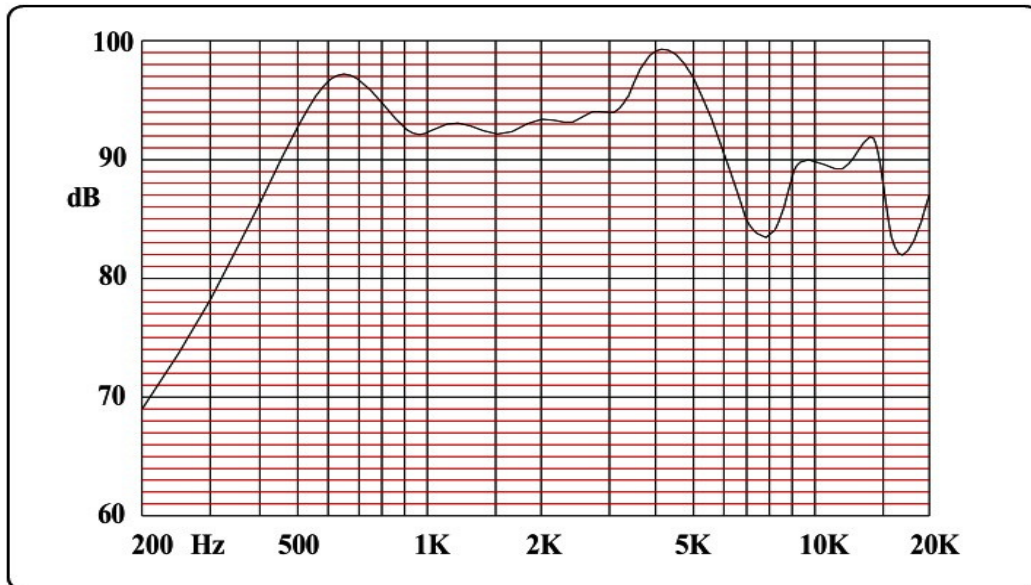
Tolerance: ± 0.2 mm except specified

VERSION: 01

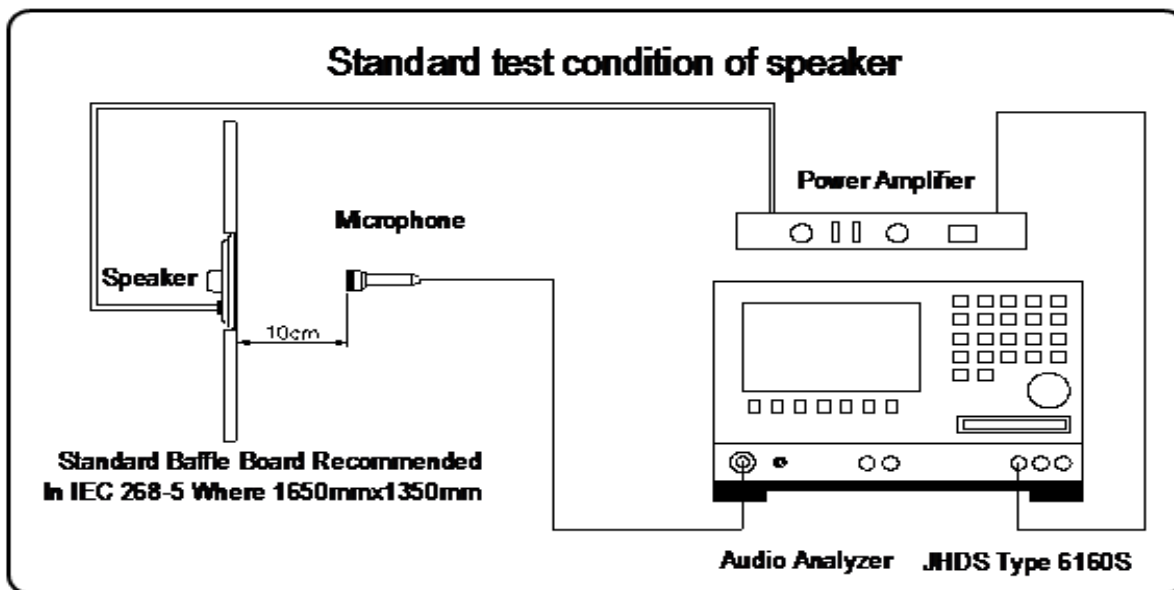
DATE: 17-Dec-12

All specifications subject to change without notice

3. FREQUENCY RESPONSE CURVE



4. MEASURING CONDITION



VERSION: 01
DATE: 17-Dec-12

5. RELIABILITY TEST

Testing Criteria

After these test , the change of S.P.L shall be within ± 3 dB

1) Load Test

Rated Power White noise is applied for 96 hours

2) Temperature Test

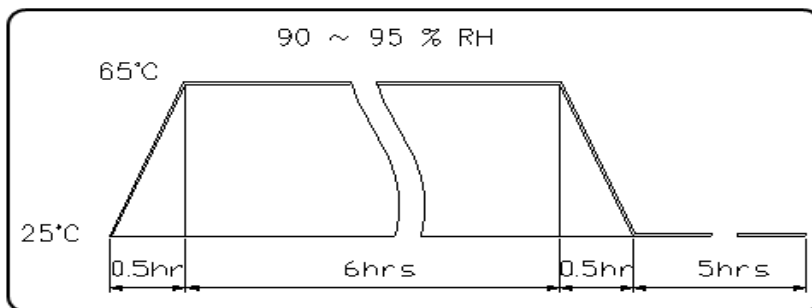
- Keep 96 hours at $+85^{\circ}\text{C} \pm 3^{\circ}\text{C}$ and leave 3 hours in normal temperature and then check
- Keep 96 hours at $-40^{\circ}\text{C} \pm 3^{\circ}\text{C}$ and leave 3 hours in normal temperature and then check

3) Humidity Test

Keep 96 hours at $+40^{\circ}\text{C} \pm 3^{\circ}\text{C}$ relative humidity 92-95% and leave 3 hours in normal temperature and then checked.

4) Thermal Shock Test

The part shall be subjected 5 cycles. One cycle shall be 12 hours and consist of;



5) Drop Test

Free drop from 100cm height to the concrete floor X,Y, Z 6 direction. 1 times each, total 6 times.

6) Vibration Test

10~55~10Hz sin-wave sweep 15min. 5G(constant) X,Y, Z 3 direction. 2 hours each, total 6 hours.

7) Terminal Strength Test

Capable of withstand 1kg load for 30 seconds without resulting in any damage or rejection.

VERSION: 01

DATE: 17-Dec-12