
PRELIMINARY SPECIFICATIONS SHEET

LOUD SPEAKER
P/N: LSI40-P12182

DESCRIPTION: D40mm, H19.9mm Loud Speaker, 250Hz, 40hm, 4W
RoHS Compliance (Directive 2002/95/EC)

VERSION: 01

DATE: 10-Dec-2012

REVISIONS

VERSION	DESCRIPTION	DATE
01	Released from engineering	10 Dec2012

APPROVED BY :

CUSTOMER NAME :

DATE :

PRELIMINARY SPECIFICATIONS SHEET

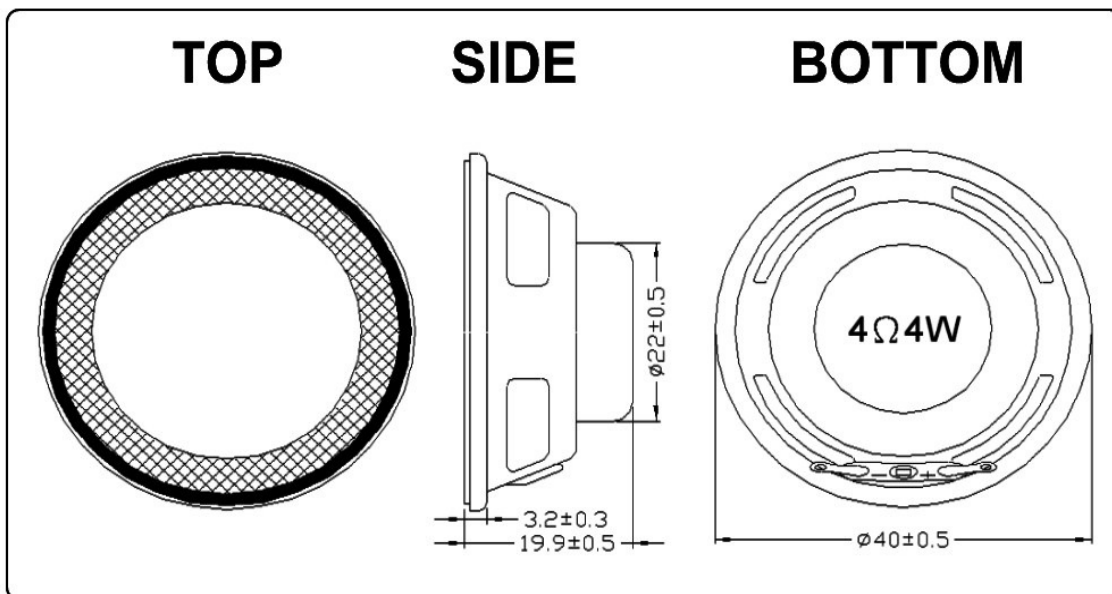
LOUD SPEAKER
 P/N: LSI40-P12182

1. SPECIFICATIONS

PARAMETERS	VALUES	UNITS
*SOUND PRESSURE LEVEL	98 ± 3	dBA
RESONANCE FREQUENCY (Fo)	250 ± 20%	Hz
FREQUENCY RANGE	Fo – 7,500	Hz
RATED IMPEDANCE	4 ± 15	Ohm
RATED POWER	4.0	W
MAX POWER	5.0	W
MAGNET	NdFeB	-
OPERATING TEMPERATURE	-20 to +60	°C
STORAGE TEMPERATURE	-30 to +60	°C
HOUSING	METAL	-
DIAPHRAGM MATERIAL	ALUMINIUM CAP WITH CLOTH	-
WEIGHT	24	g

*Tested at 10cm 4W, 800 , 1000 , 1200, 1500Hz Average

2. DIMENSIONS (unit in mm)



Tolerance: ± 0.5 mm except specified

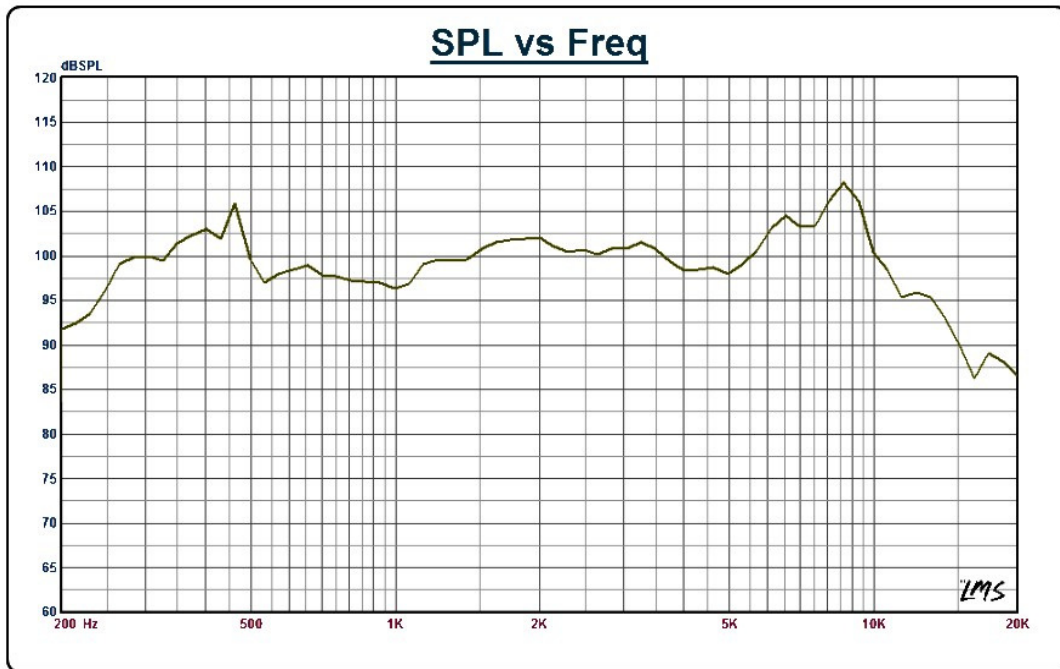
VERSION: 01

DATE: 10-Dec-2012

All specifications subject to change without notice

PRELIMINARY SPECIFICATIONS SHEET

3. FREQUENCY RESPONSE CURVE



VERSION: 01

DATE: 10-Dec-2012