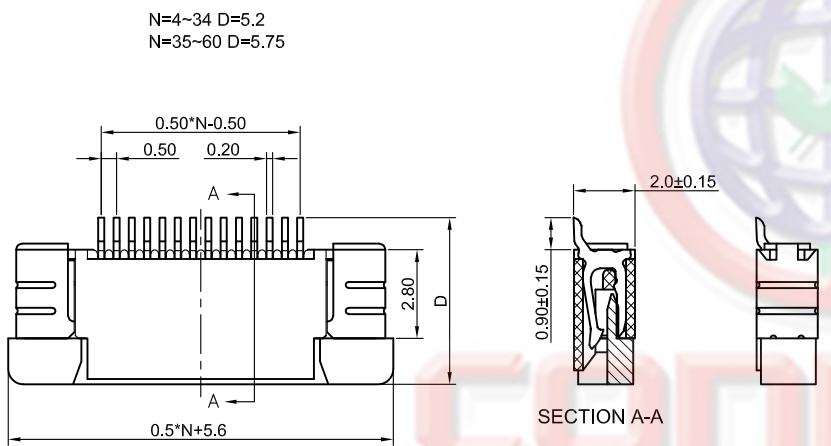


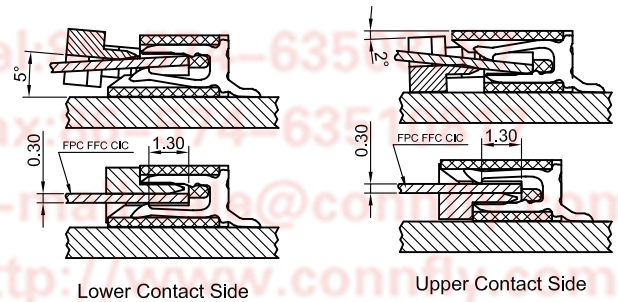
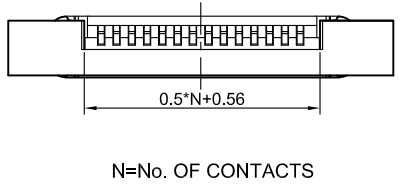
The information provided herein is from CONNELY Electronic Co., Ltd. and is confidential. Any disclosure to a party other than the recipient is prohibited. The intellectual properties and its rights contained herein, including but not limited to, trademarks, patents, copyrights, trade secrets, and technical know-how, are owned exclusively by CONNELY or its affiliates. Unauthorized use or reproduction of this document in any format or manner, CONNELY may enforce its intellectual property rights at its own discretion; failures or delays to exercise such rights does not constitute a waiver of such rights.

1 2 3 4 5 6 7 8

REV.	DESCRIPTION	DRAWN	CHECKED	APPROVED
A	NEW RELEASE	YCH 09/04/08'		LJC 09/04/08'
D	DRAWING UPDATE	JLZ 03/23/19'		

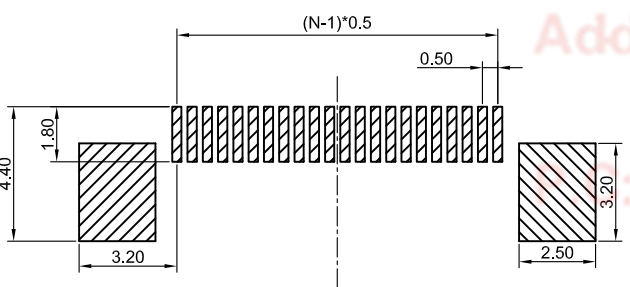


- Notes:
- Specifications:
- Contact Resistance: 30mΩ Max.
 - Insulation Resistance: 500MΩ Min.
 - Dielectric Withstanding Voltage: 250V AC(rms) For 1 Minute.
 - Current Rating:0.5A.
 - Voltage Rating:50V DC/AC.
 - Temperature: -25°C~+85°C.
- Materials:
- Contact Material: Copper Alloy.
 - Contact Plating: Gold/Tin Plating Over Nickel.
 - Insulator Materials: High Temp,UL94-V0.
- Product Number Code:



DS1020-09- X X X X X - X

- Packing Type
- R: Tape On Reel
- N/A Code: Tube
- Contact Type
- A: Lower Contact
- B: Upper Contact
- Contact Plating
- T1: Tin
- 8: Full Gold Flash
- Cover Color
- B:Black
- Housing Color
- V:Ivory
- No. of Contacts
- 04~60



GENERAL TOLERANCE		ANGLE TOLERANCE		PROJECTION		TITLE	0.50mm FPC CONNECTOR R/A SMT TYPE
X.	±0.60	X.	±5°	UNITS	mm	SHEET	DS1020-09 SERIES
.X	±0.38	.X	±3°	SHEET SIZE	A4	SERIES	DS1020-09 SERIES
.XX	±0.25	.XX	±2°				
DRAWING TYPE		CUSTOMER		晨翔电子有限公司 CONNELY CONNELY ELECTRONIC CO. LTD			
SCALE		1:1	SHEET 1 OF 1				
DRAWING NO.		C-DS1020-09-XXXXX-D					

1 2 3 4 5 6 7 8