

This product is completed the lead-free and RoHS.



# DATA SHEET

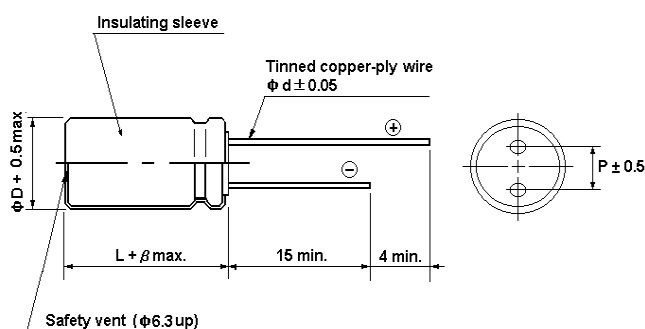


**SAMWHA ELECTRIC CO., LTD.**

## Aluminum Electrolytic Capacitors

Date : 2019. 01. 08.  
 Ident-No : SC-ARG112  
 Part No : WL 1V 477 M 10016 BB

### Dimensions



$\Phi D$	10
L	16
P	5.0
$\Phi d$	0.6
$\beta$	2.0

*Dimensions of  $\Phi D$  & L*

Capacitance at 120Hz, 20 °C	470 $\mu F$
Tolerance at 120Hz, 20 °C	$\pm 20$ %
Rated Voltage	35 V
Surge Voltage	44 V
Ripple current at 100kHz, 105 °C	850 mA rms
Impedance at 100kHz, 20 °C	0.080 $\Omega$
Leakage current after 2 minute	164.5 $\mu A$
Dissipation factor (tan $\delta$ ) at 120Hz, 20 °C	0.12
Equivalent series resistance(E.S.R) at 120Hz, 20 °C	0.34 $\Omega$
Temperature range	-40 ~ +105 °C
Load life at 105 °C	5000 hours
Shelf life at 105 °C	1000 hours

Approved

K. C. Eom *k. c. Eom*

Technical team manager